

[54] URETHANE FOAM GUN
[76] Inventor: David Keske, 1449 Bald Eagle Rd.,
St. Louis, Mo. 63038

3,417,923 12/1968 Carlson 239/414 X
3,893,621 7/1975 Johnson 239/415 X
3,920,188 11/1975 Price 239/414 X
4,325,512 4/1982 Kenshol 239/414 X

[**] Term: 14 Years

Primary Examiner—B. J. Bullock
Attorney, Agent, or Firm—Neal Kalishman

[21] Appl. No.: 548,685

[57] CLAIM

[22] Filed: Nov. 4, 1983
[52] U.S. Cl. D23/17
[58] Field of Search D23/17, 18, 8, 36-39;
239/413-415, 526-528

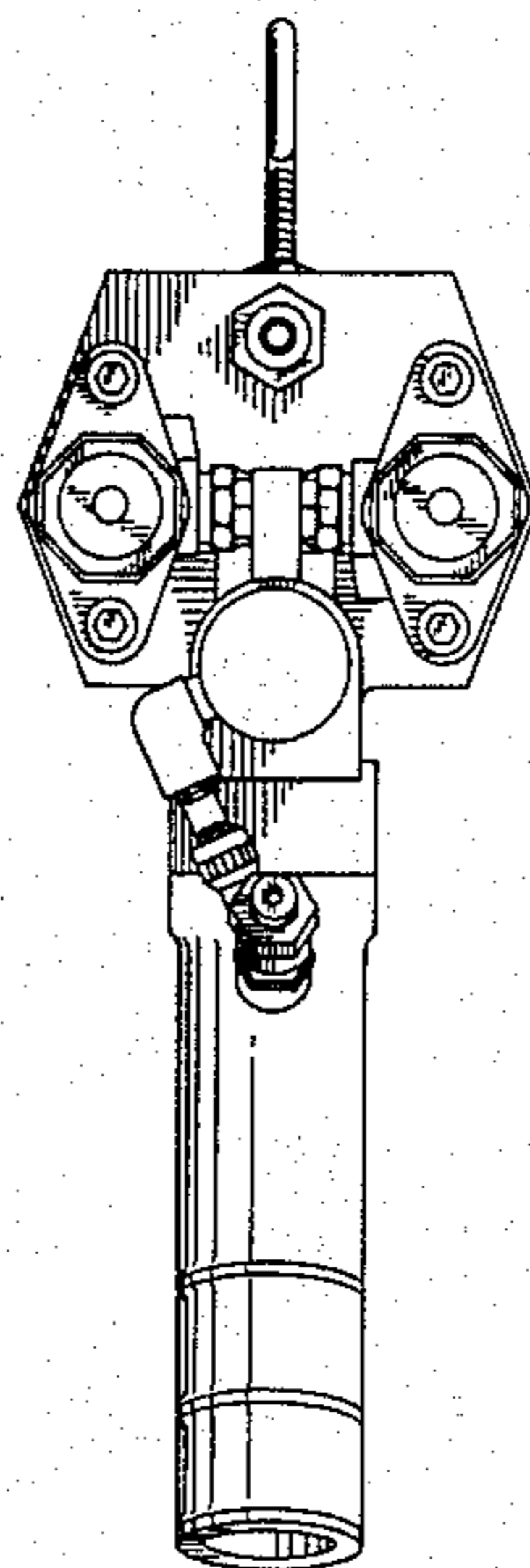
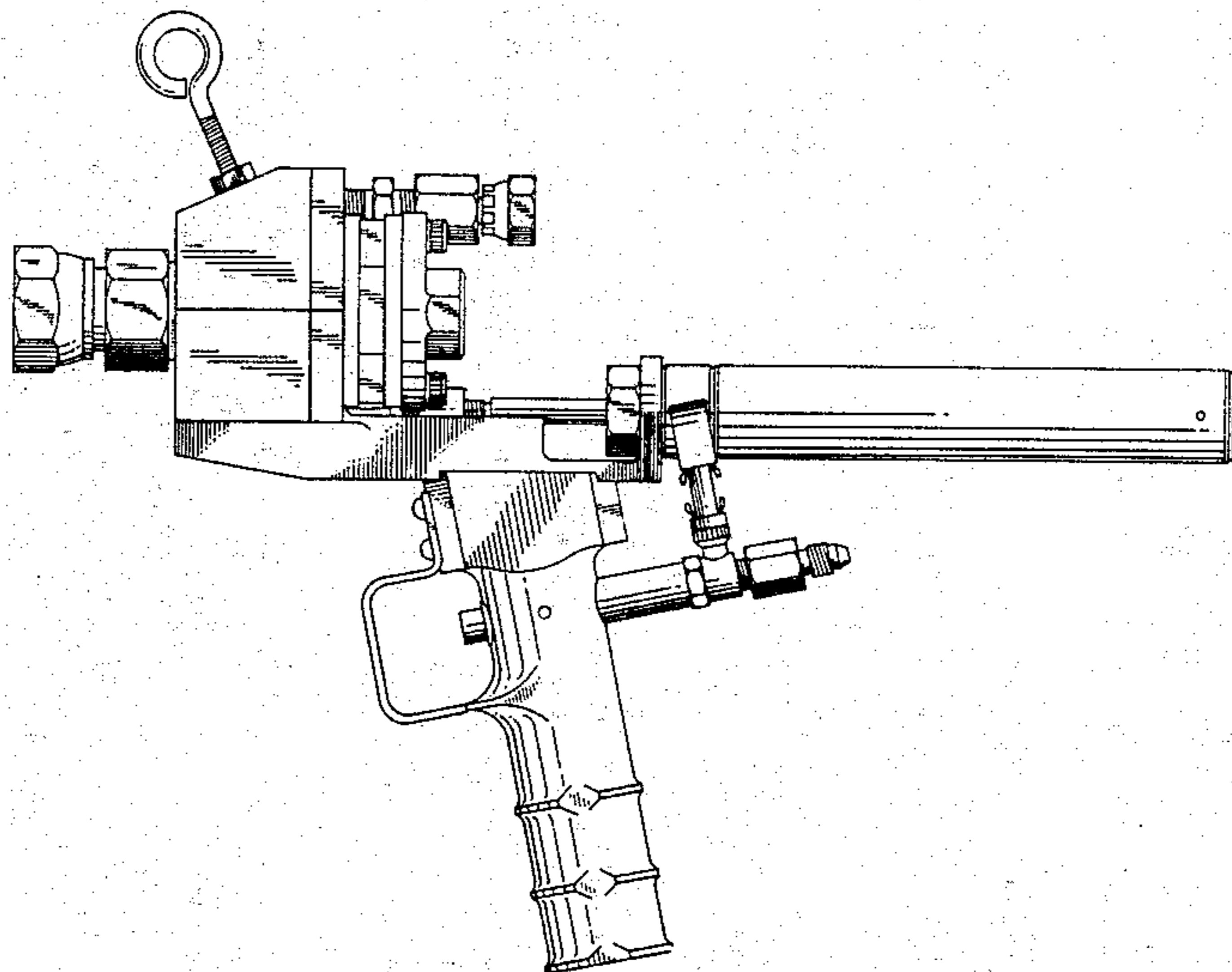
The ornamental design for a urethane foam gun, as shown and described.

DESCRIPTION

[56] References Cited
U.S. PATENT DOCUMENTS

D. 99,616 5/1936 Albertson D23/17
D. 112,356 11/1938 Albertson D23/17
D. 252,097 6/1979 Probst et al. D23/17
3,056,557 10/1962 Walberg D23/17 X

FIG. 1 is a right side elevational view of a urethane foam gun showing my new design, the left side being a mirror image of the right side shown;
FIG. 2 is a rear elevational view thereof;
FIG. 3 is a front elevational view thereof;
FIG. 4 is a top plan view thereof; and
FIG. 5 is a bottom plan view thereof.



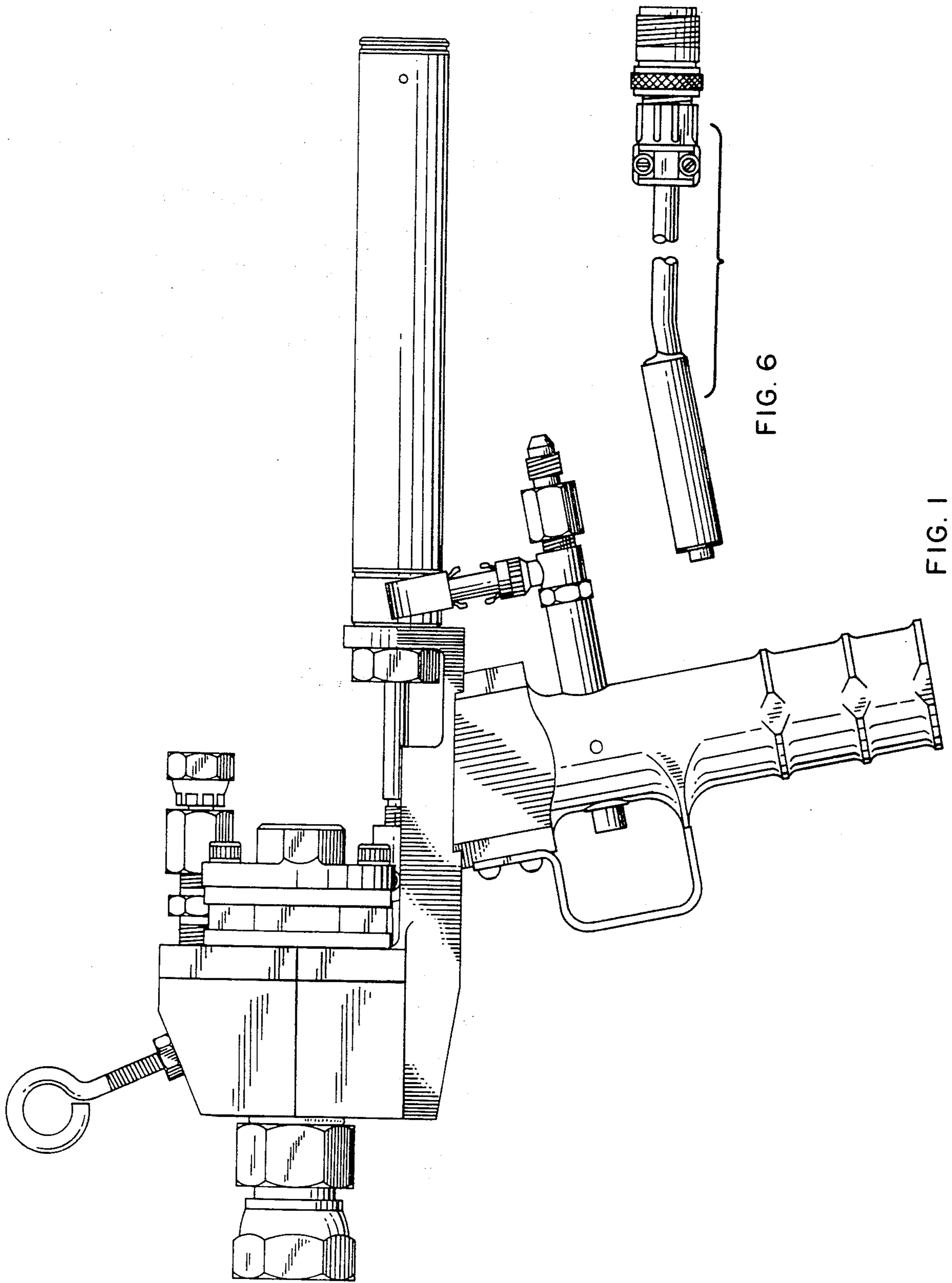


FIG. 6

FIG. 1

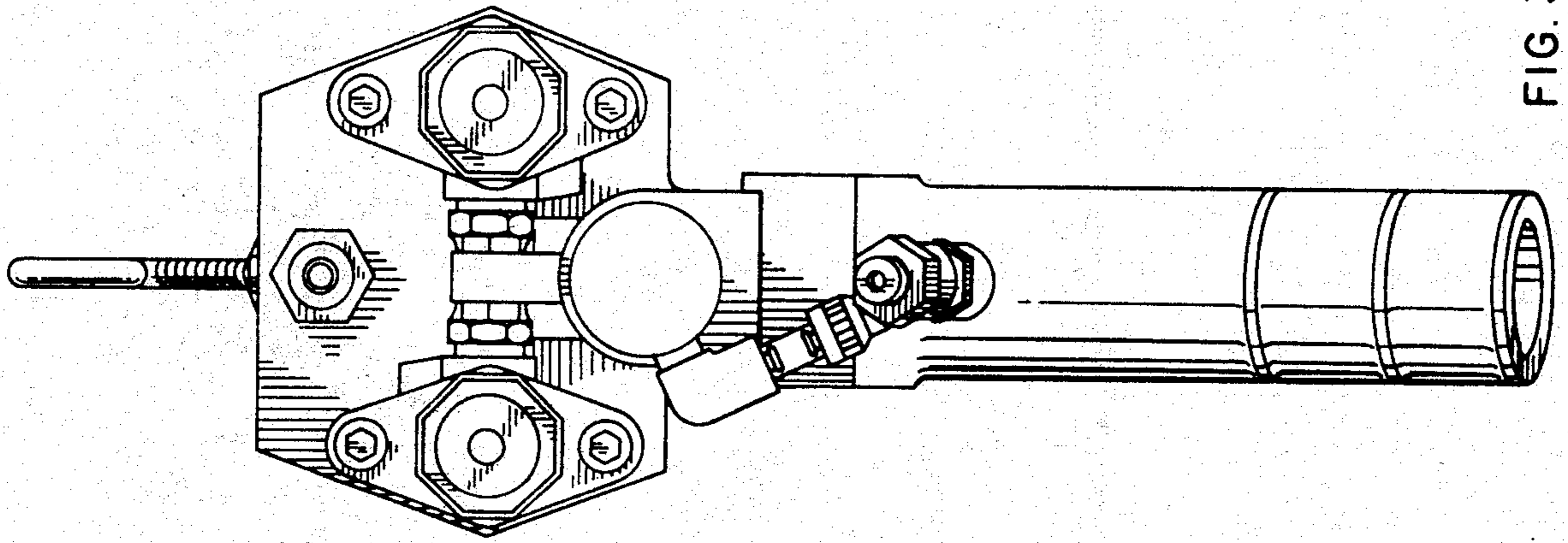


FIG. 3

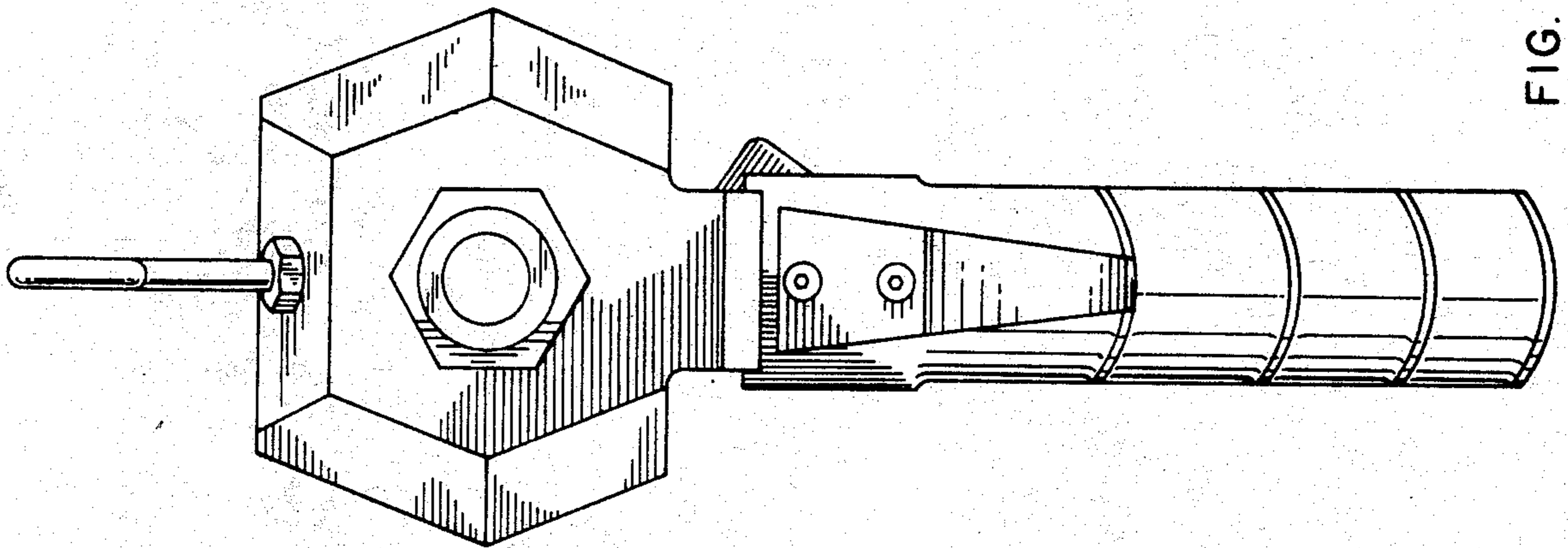


FIG. 2

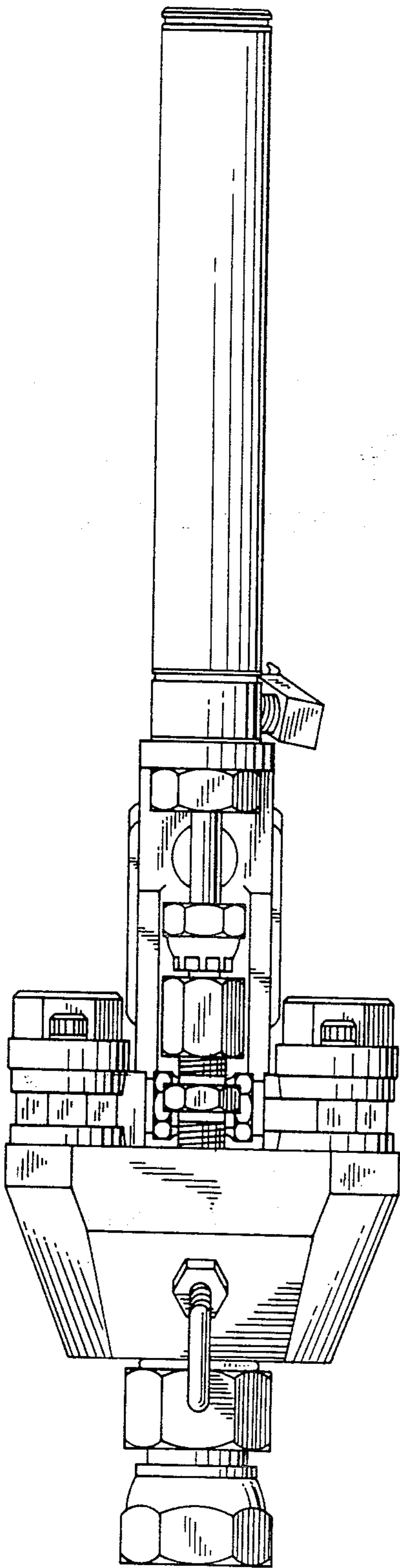


FIG. 4

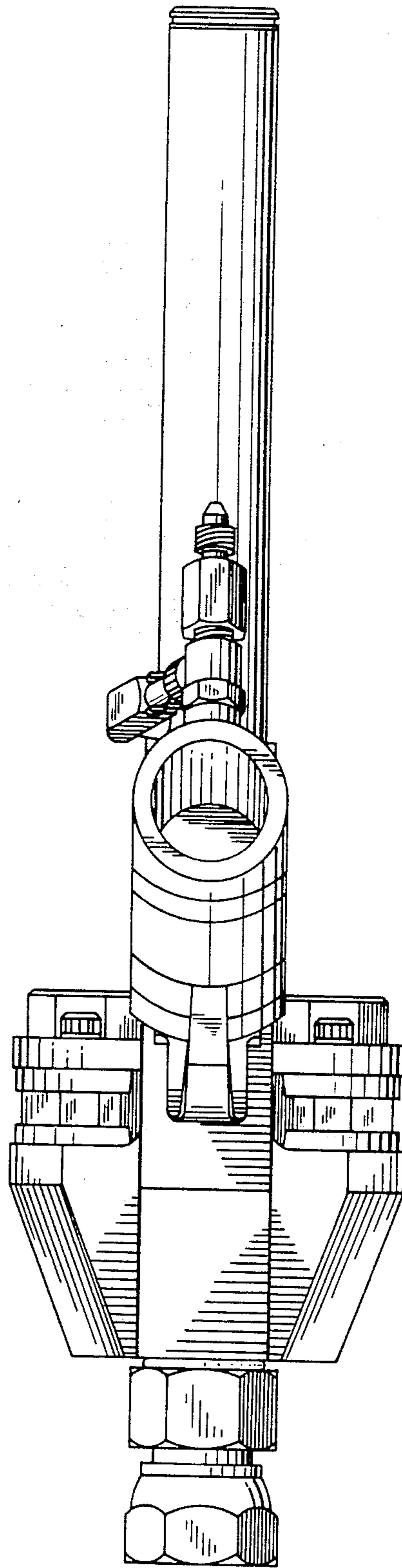


FIG. 5