

[54] WATER FILTER

[75] Inventors: Hiroshi Koizumi, Tokyo; Hideki Takayama, Kiyose; Hikaru Kaji, Tokyo; Masatoshi Tanabe, Hitachi, all of Japan

[73] Assignee: Hitachi, Ltd., Tokyo, Japan

[**] Term: 14 Years

[21] Appl. No.: 624,131

[22] Filed: Jun. 25, 1984

[30] Foreign Application Priority Data

Dec. 26, 1983 [JP] Japan 58-55669

[52] U.S. Cl. D23/4

[58] Field of Search D23/3, 4, 19, 20, 29, D23/34, 35, 48; 210/444-447, 448-449; 417/413, 424, 360, 61

[56] References Cited

U.S. PATENT DOCUMENTS

D. 234,637	3/1975	Flynn	D23/19 X
D. 242,249	11/1976	Corder	D23/4
D. 277,305	1/1985	Grube	D23/3
4,147,631	4/1979	Deines et al.	210/282 X
4,271,015	6/1981	Moore	210/282

Primary Examiner—Wallace R. Burke
Assistant Examiner—Brian N. Vinson
Attorney, Agent, or Firm—Antonelli, Terry & Wands

[57] CLAIM

The ornamental design for a water filter, as shown.

DESCRIPTION

FIG. 1 is a front, top and right side perspective view of a water filter showing our new design;
FIG. 2 is a rear, bottom and left side perspective view thereof;
FIG. 3 is a front elevational view thereof;
FIG. 4 is a top plan view thereof;
FIG. 5 is a bottom plan view thereof;
FIG. 6 is a right side elevational view thereof; and
FIG. 7 is a left side elevational view thereof.

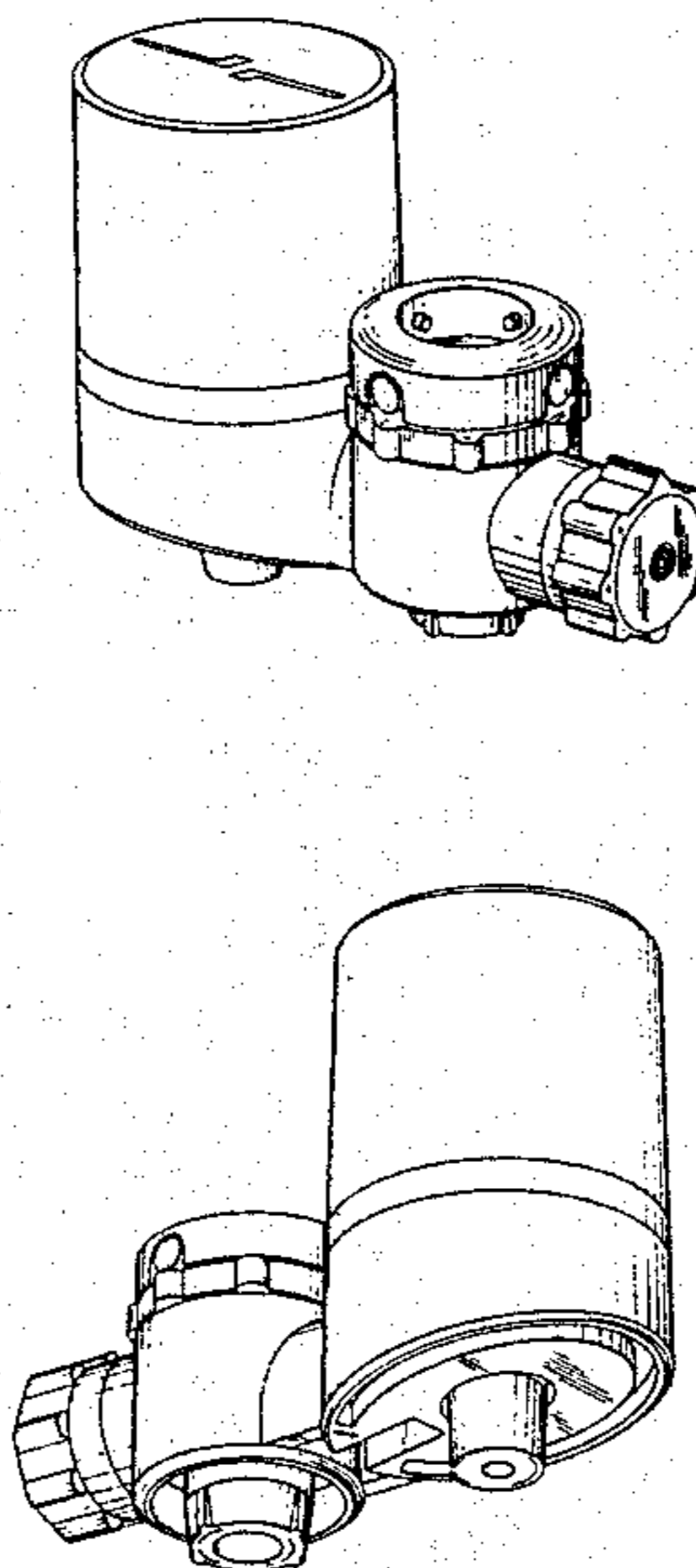


FIG. 1

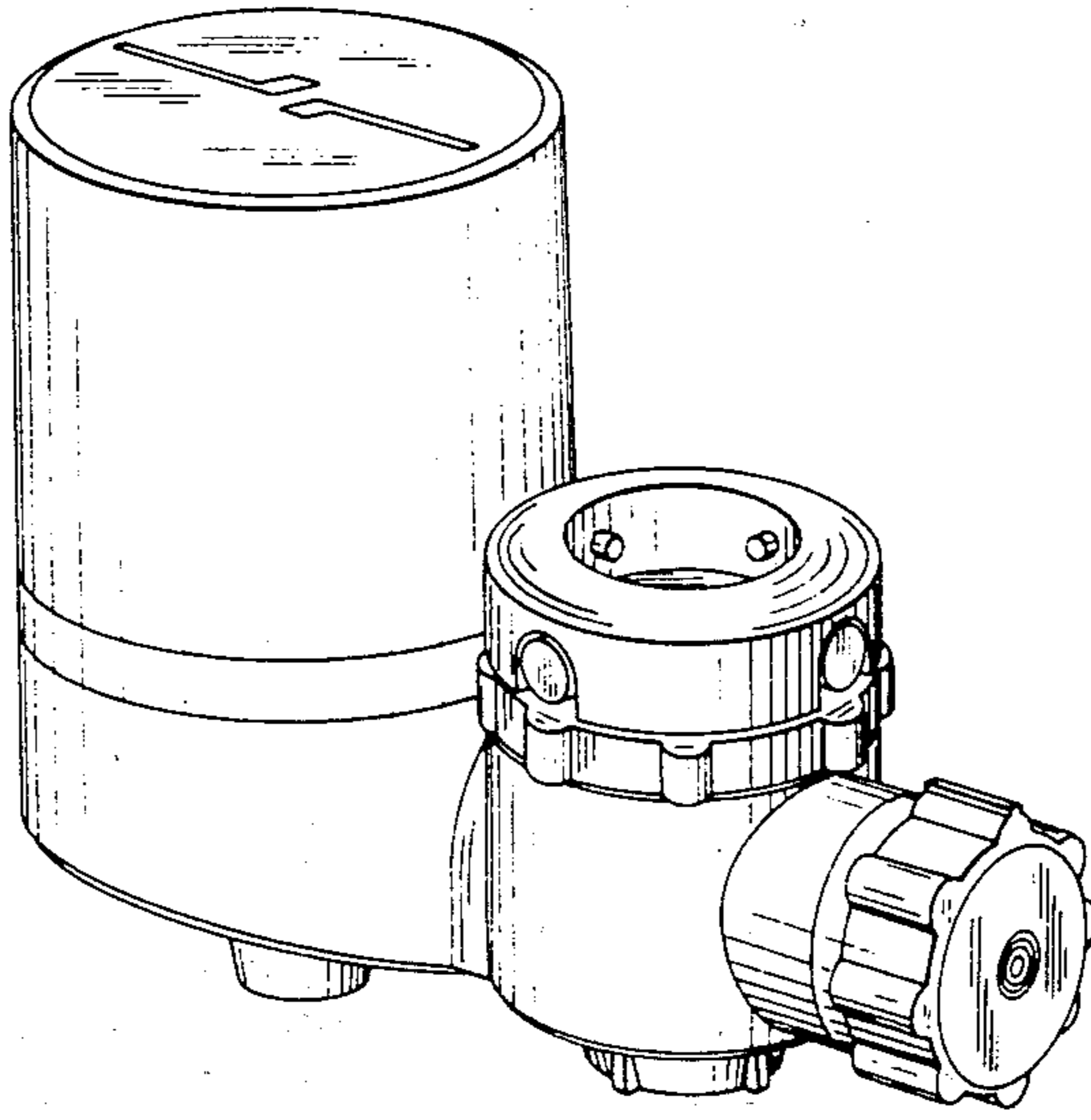


FIG. 2

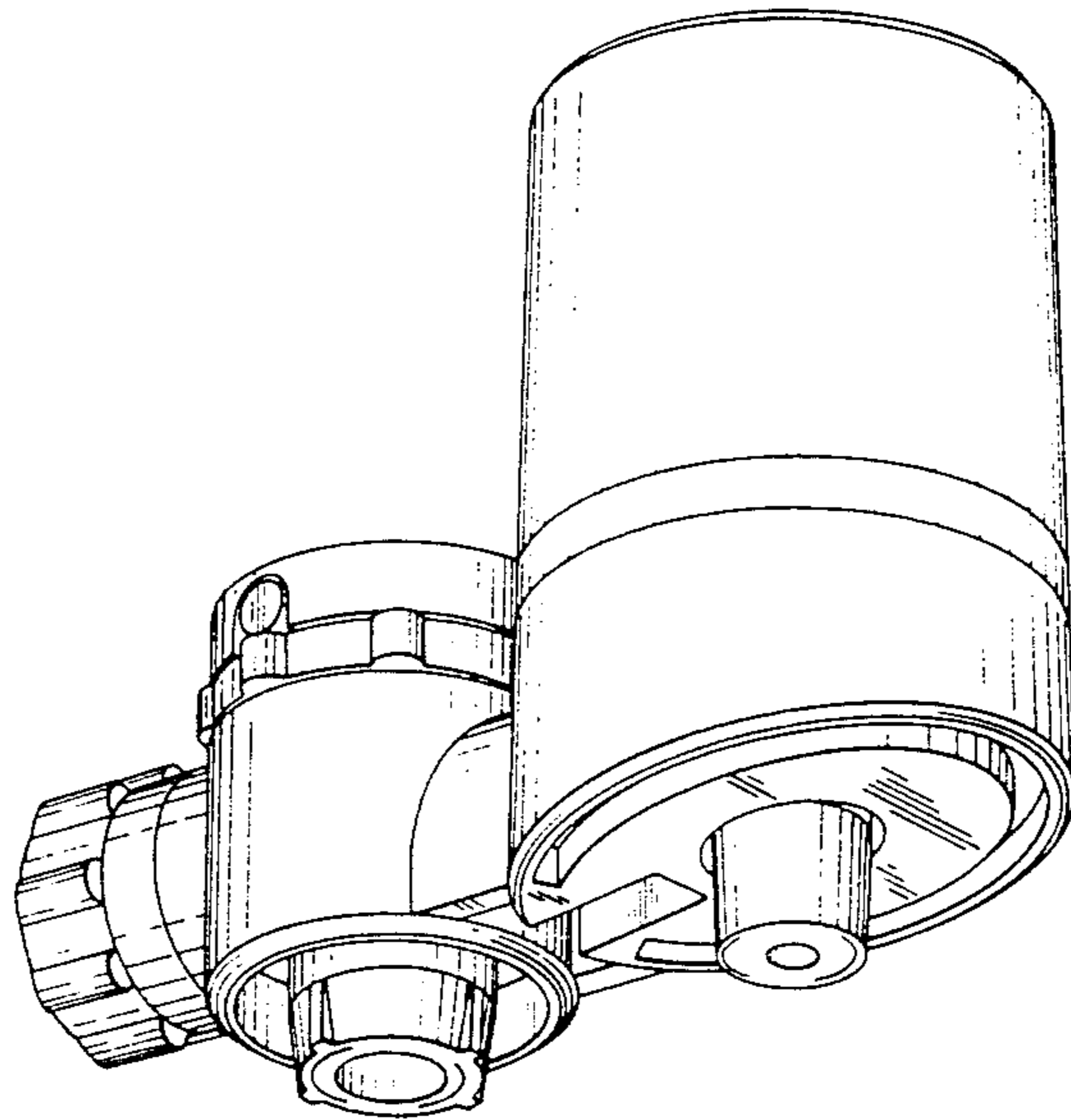


FIG. 3

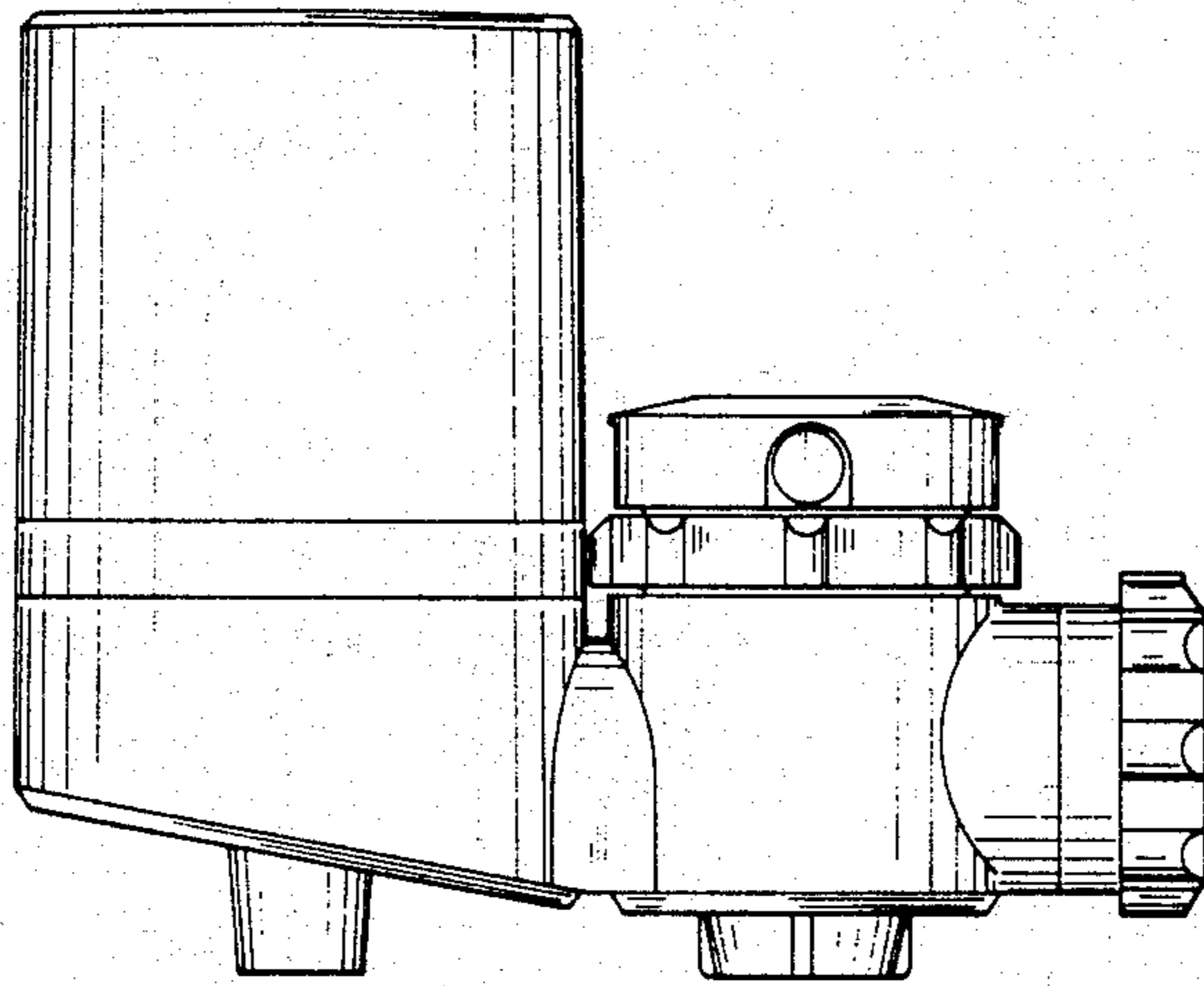


FIG. 4

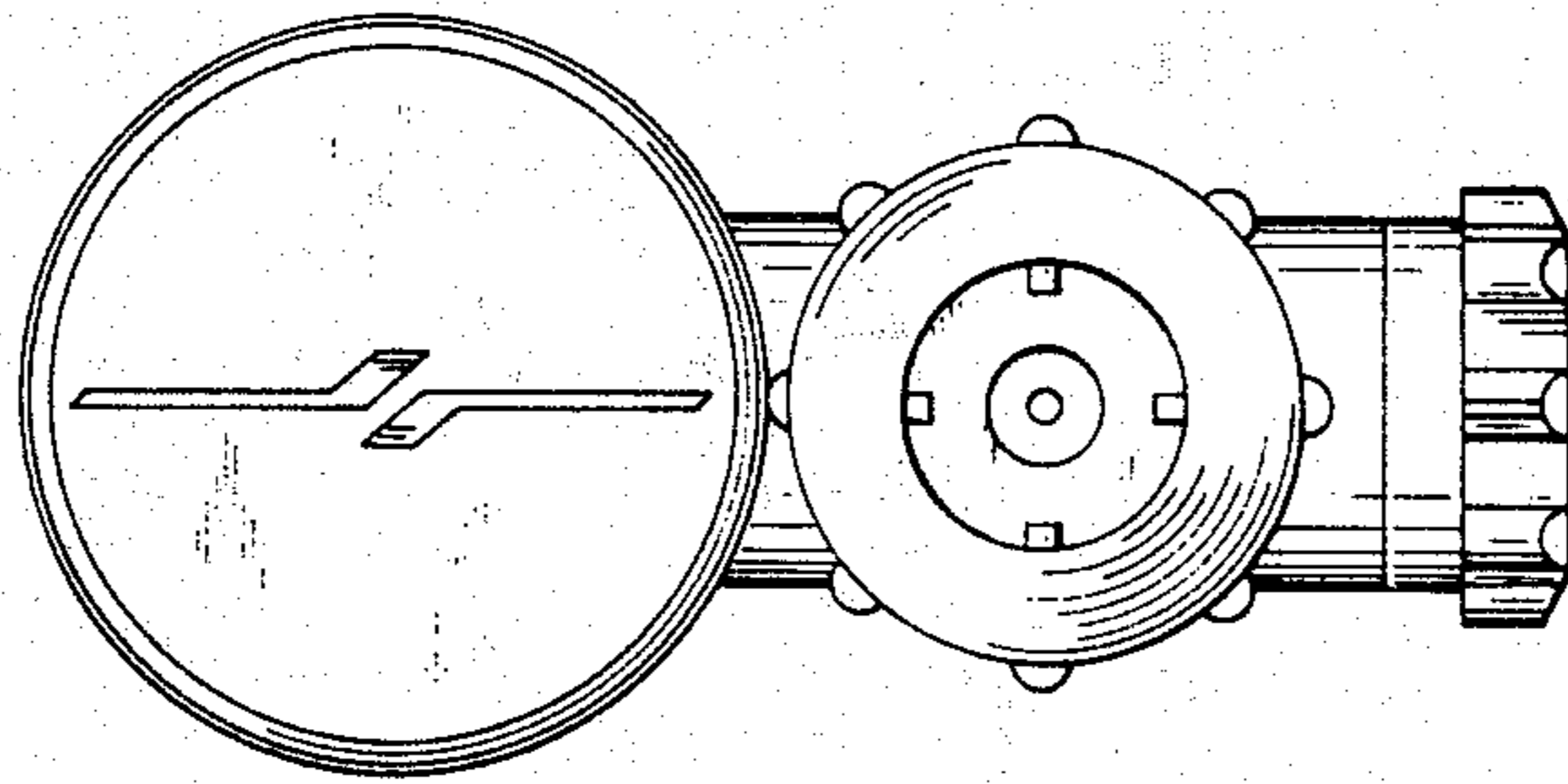


FIG. 5

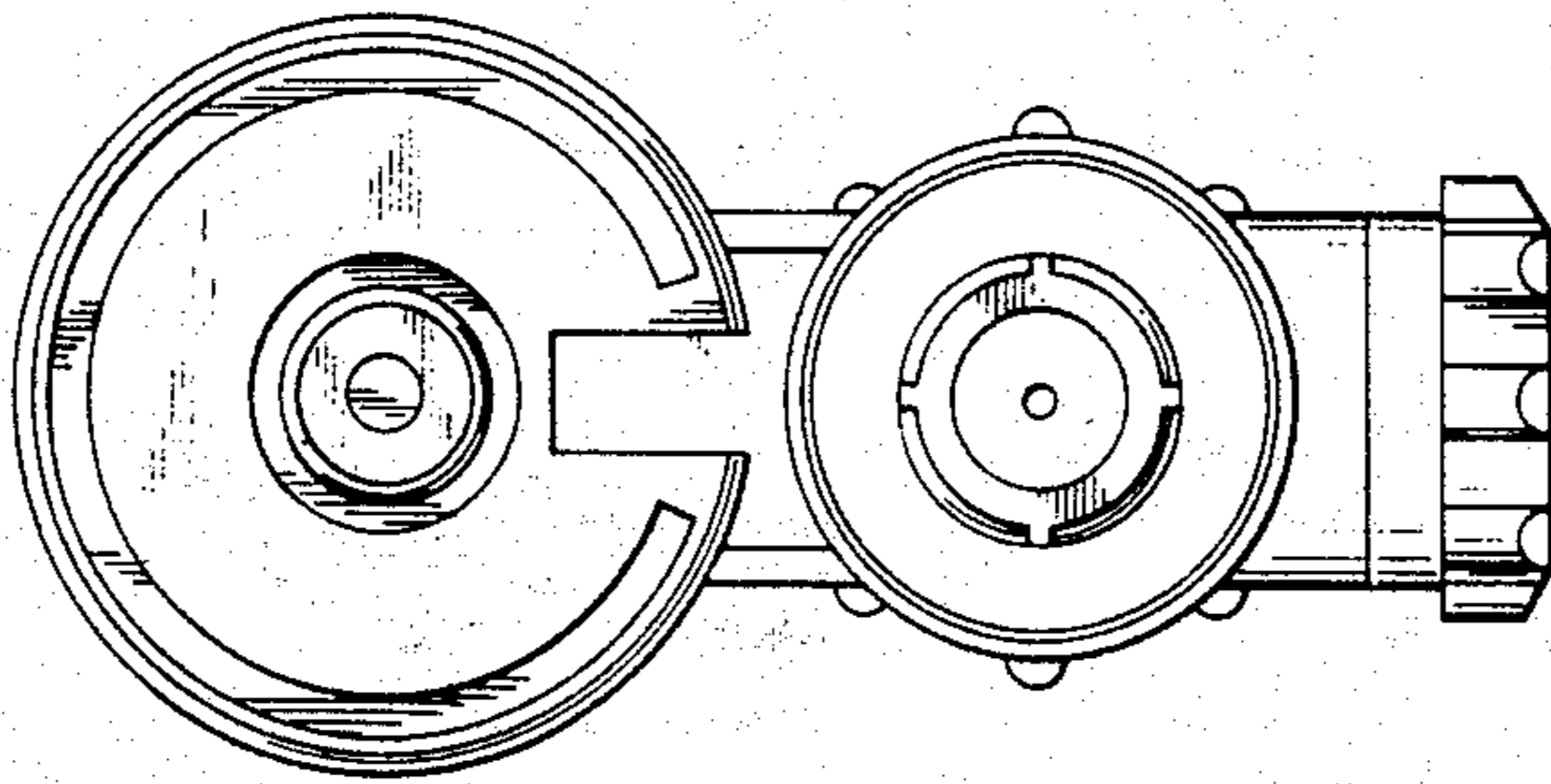


FIG. 6

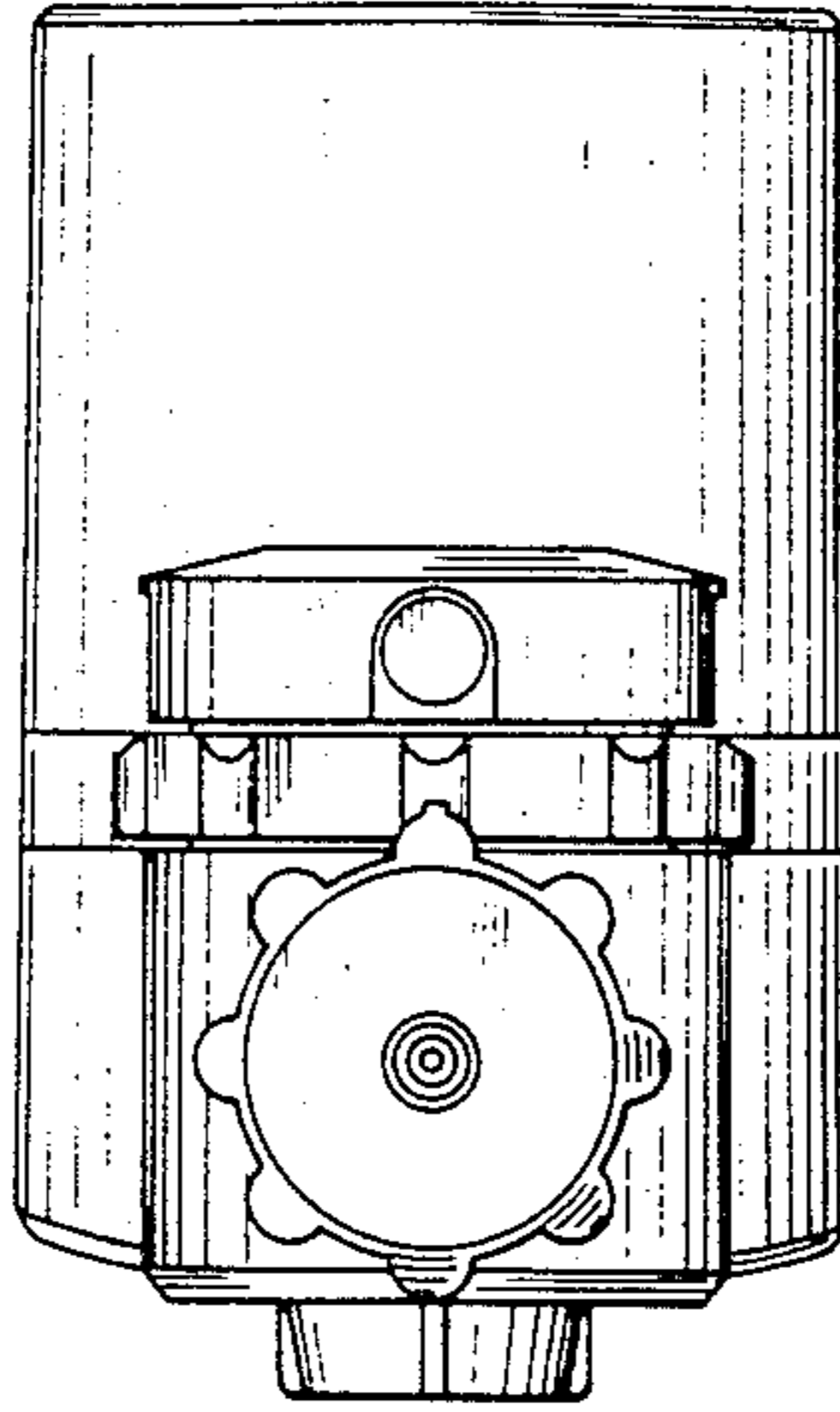


FIG. 7

