

[54] GOLF CLUB HEAD

2,495,444 1/1950 Chamberlain et al. .... D21/216

[76] Inventor: William B. Shearer, 2905 W. Main St., Muncie, Ind. 47305

Primary Examiner—Melvin B. Feifer  
Attorney, Agent, or Firm—J. David Haynes

[\*\*] Term: 14 Years

[57] CLAIM

[21] Appl. No.: 553,998

The ornamental design for a golf club head, substantially as shown.

[22] Filed: Nov. 21, 1983

[52] U.S. Cl. .... D21/220; D21/218

[58] Field of Search ..... D21/214-220;  
273/167-175

DESCRIPTION

FIG. 1 is a right side view of a golf club head showing my new design.

FIG. 2 is a top view of the golf club head.

FIG. 3 is a left side view of the golf club head.

FIG. 4 is a bottom view of the golf club head.

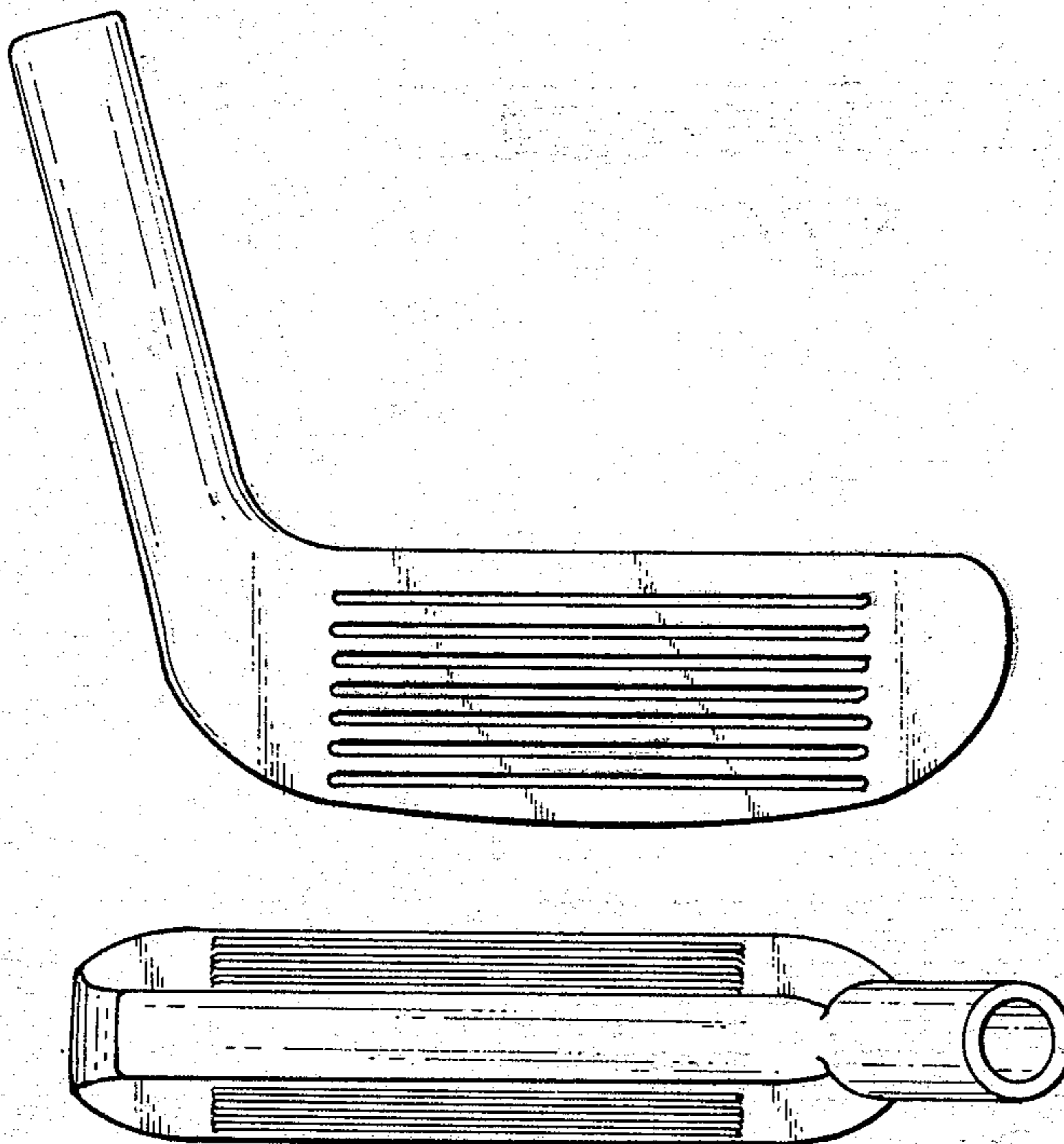
FIG. 5 is a left end view of the golf club head.

FIG. 6 is a right end view of the golf club head.

[56] References Cited

U.S. PATENT DOCUMENTS

D. 77,191 12/1928 Smith ..... D21/218  
1,574,915 3/1926 Marston ..... D21/218



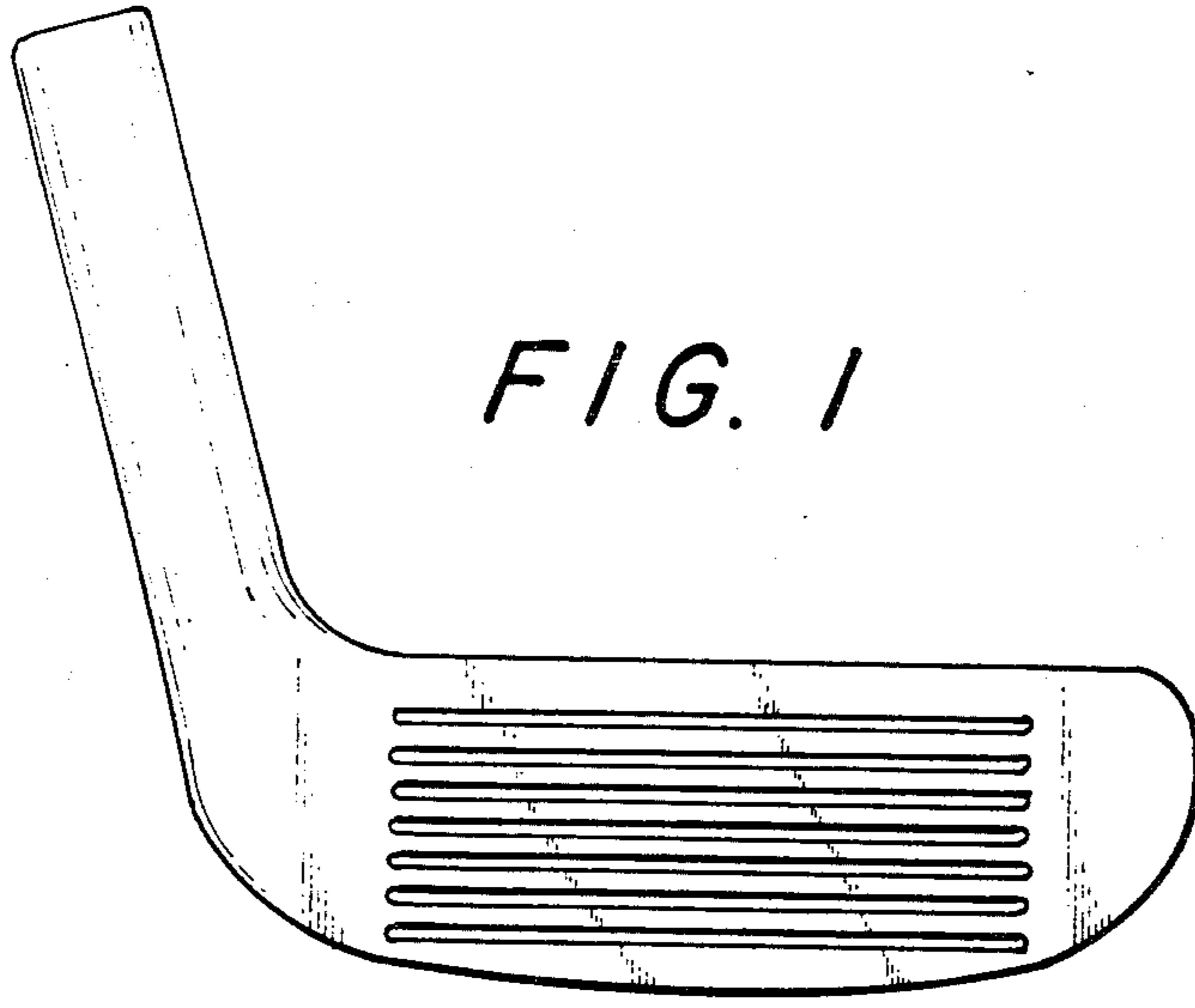


FIG. 1

FIG. 5

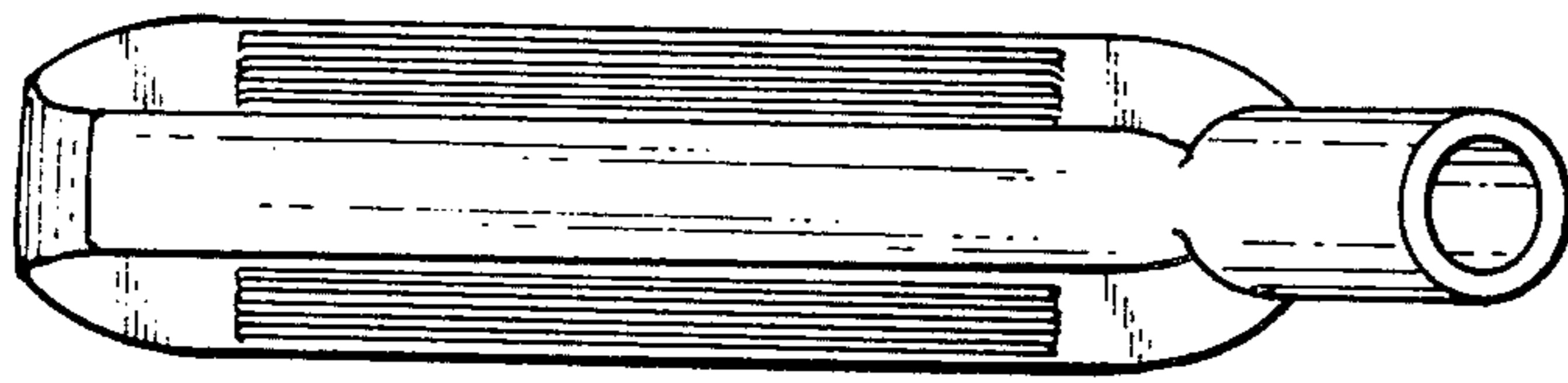
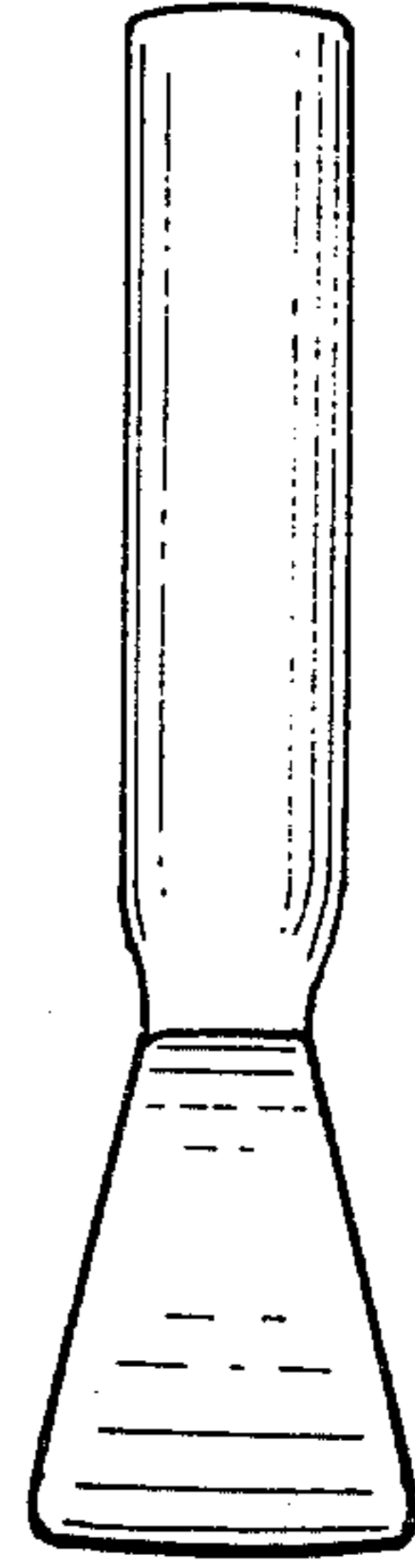


FIG. 2

FIG. 6

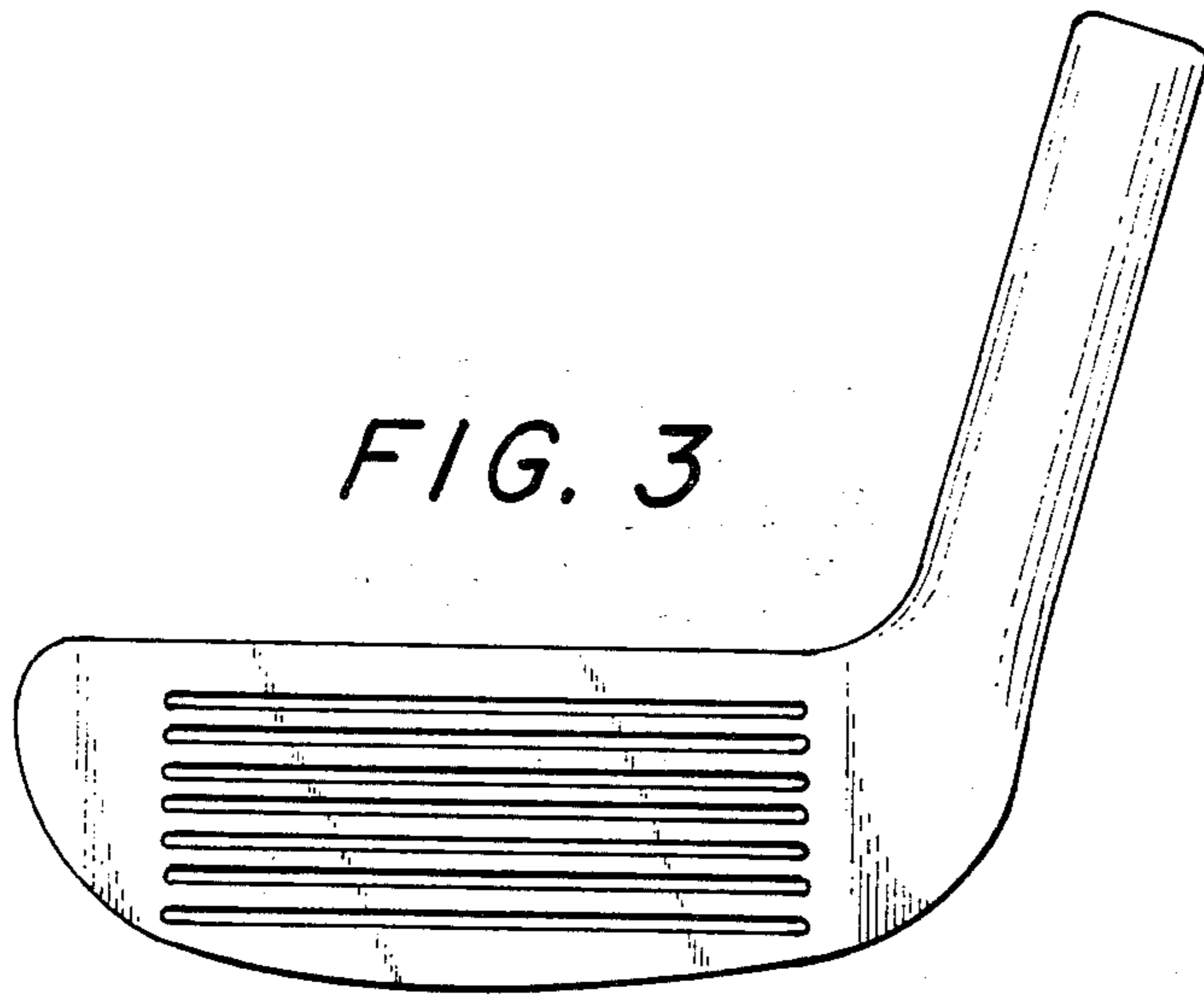


FIG. 3

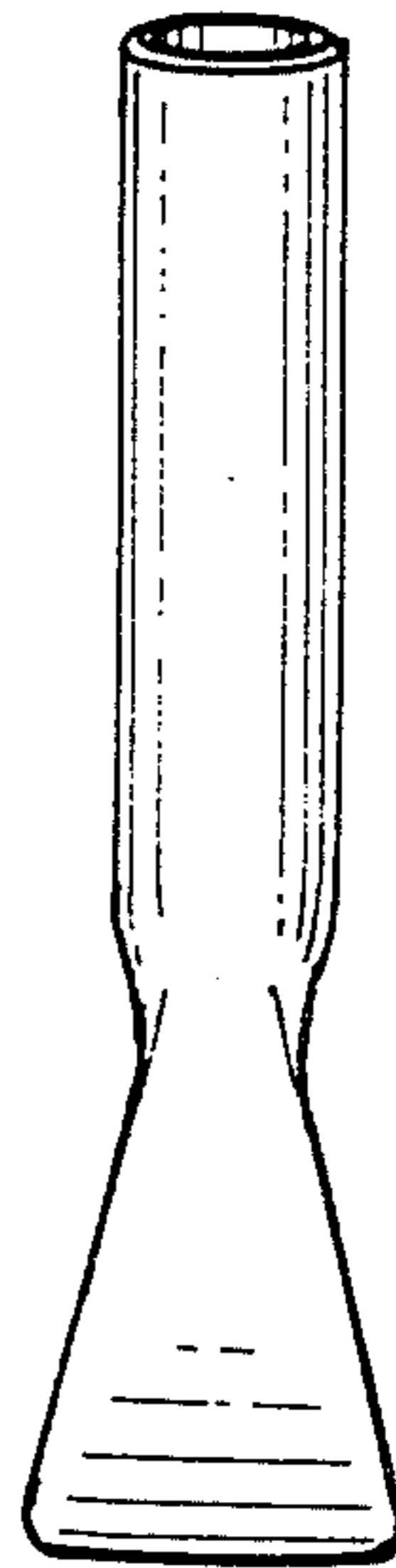


FIG. 4

