

[54] TOY VEHICLE CHASSIS

[75] Inventor: Fujio Arigaya, Tanashi, Japan

[73] Assignee: Takara Co., Ltd., Tokyo, Japan

[*] Notice: The portion of the term of this patent subsequent to May 27, 2000 has been disclaimed.

[**] Term: 14 Years

[21] Appl. No.: 549,669

[22] Filed: Nov. 7, 1983

[30] Foreign Application Priority Data

Apr. 10, 1983 [JP] Japan 58-43096

[52] U.S. Cl. D21/141

[58] Field of Search D21/71, 73, 74, 76, D21/78, 81, 128, 130, 134, 140, 136, 137, 141; 446/71, 72, 88, 93, 94, 95, 465, 469, 470, 471

[56] References Cited

U.S. PATENT DOCUMENTS

D. 117,554	11/1939	Bojesen	D21/141
D. 223,769	6/1972	Ruokonen	D21/128
D. 225,761	1/1973	Munn et al.	D21/134
2,382,982	8/1945	Elliott	446/94
2,459,321	1/1949	Johnson	446/95
2,568,557	9/1951	Newbery	446/72
3,711,989	1/1973	Nielsen	446/469

Primary Examiner—Charles A. Rademaker
Attorney, Agent, or Firm—Joseph W. Price

[57] CLAIM

The ornamental design for a toy vehicle chassis, substantially as shown and described.

DESCRIPTION

FIG. 1 is a front side perspective view of the toy vehicle chassis showing my new design;

FIG. 2 is a top plan view;

FIG. 3 is a right side elevational view, the side opposite being means substantially a mirror image;

FIG. 4 is a front elevational view;

FIG. 5 is a rear elevational view; and

FIG. 6 is a bottom plan view.

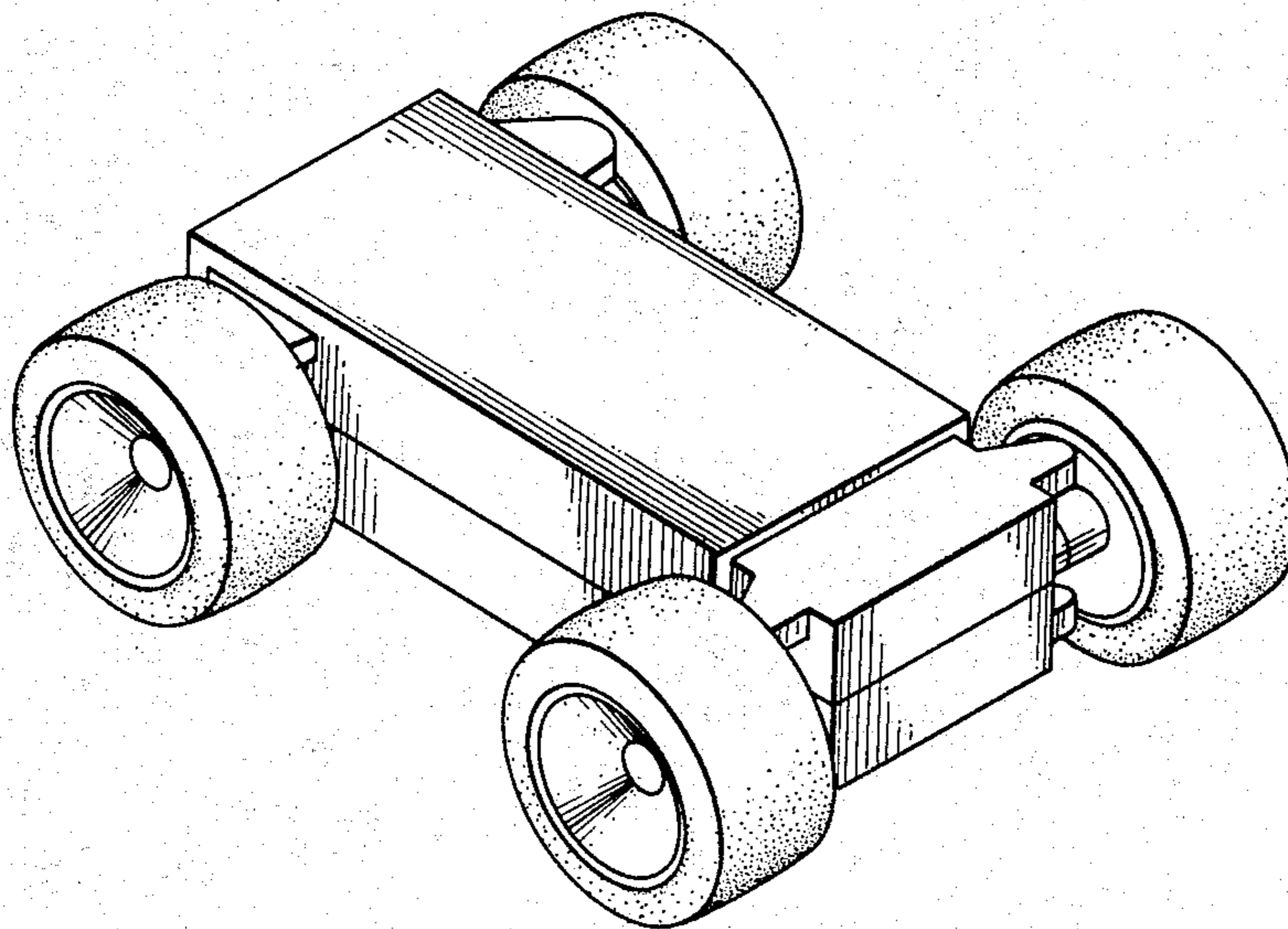


FIG. 1

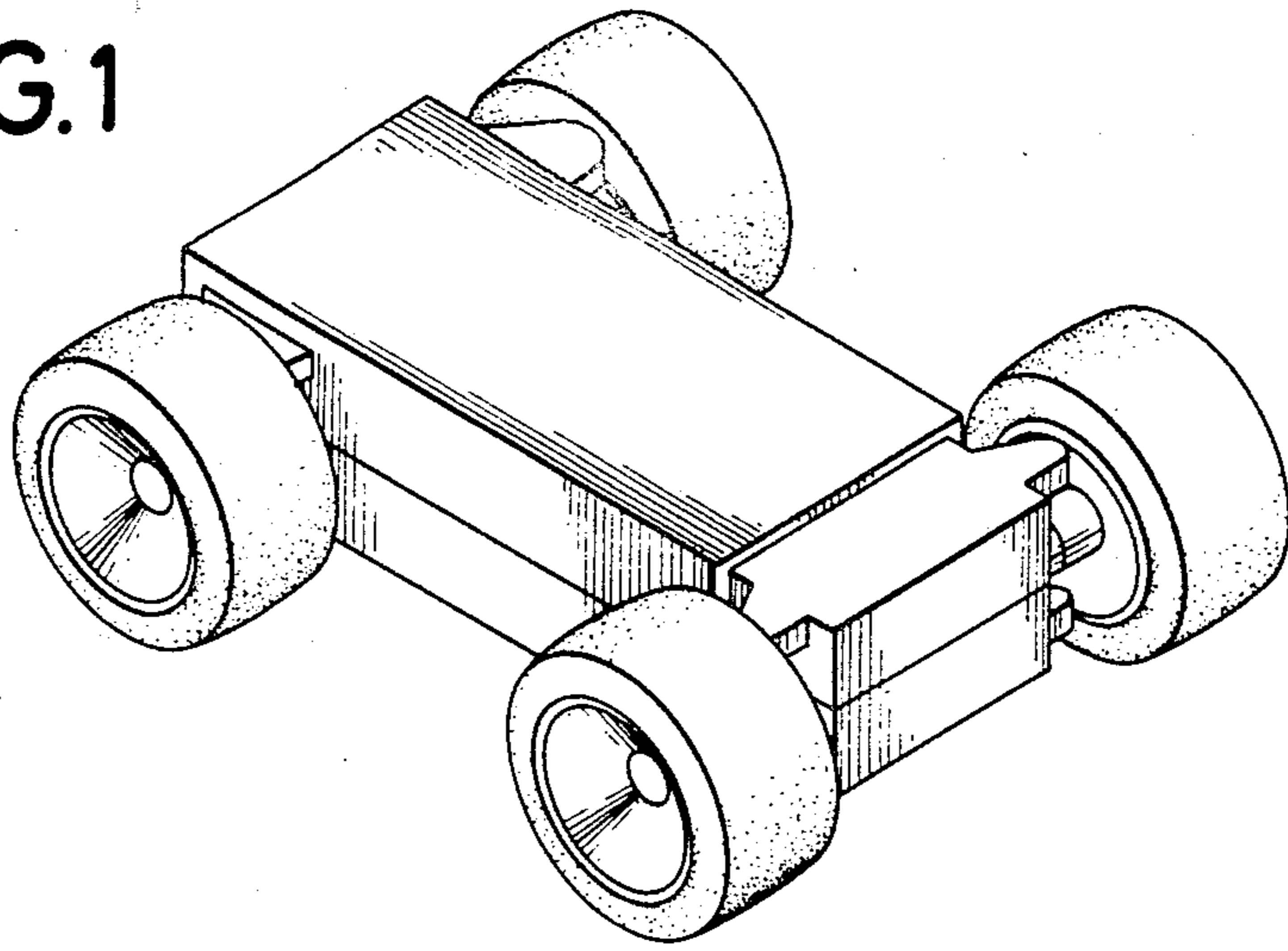


FIG. 2

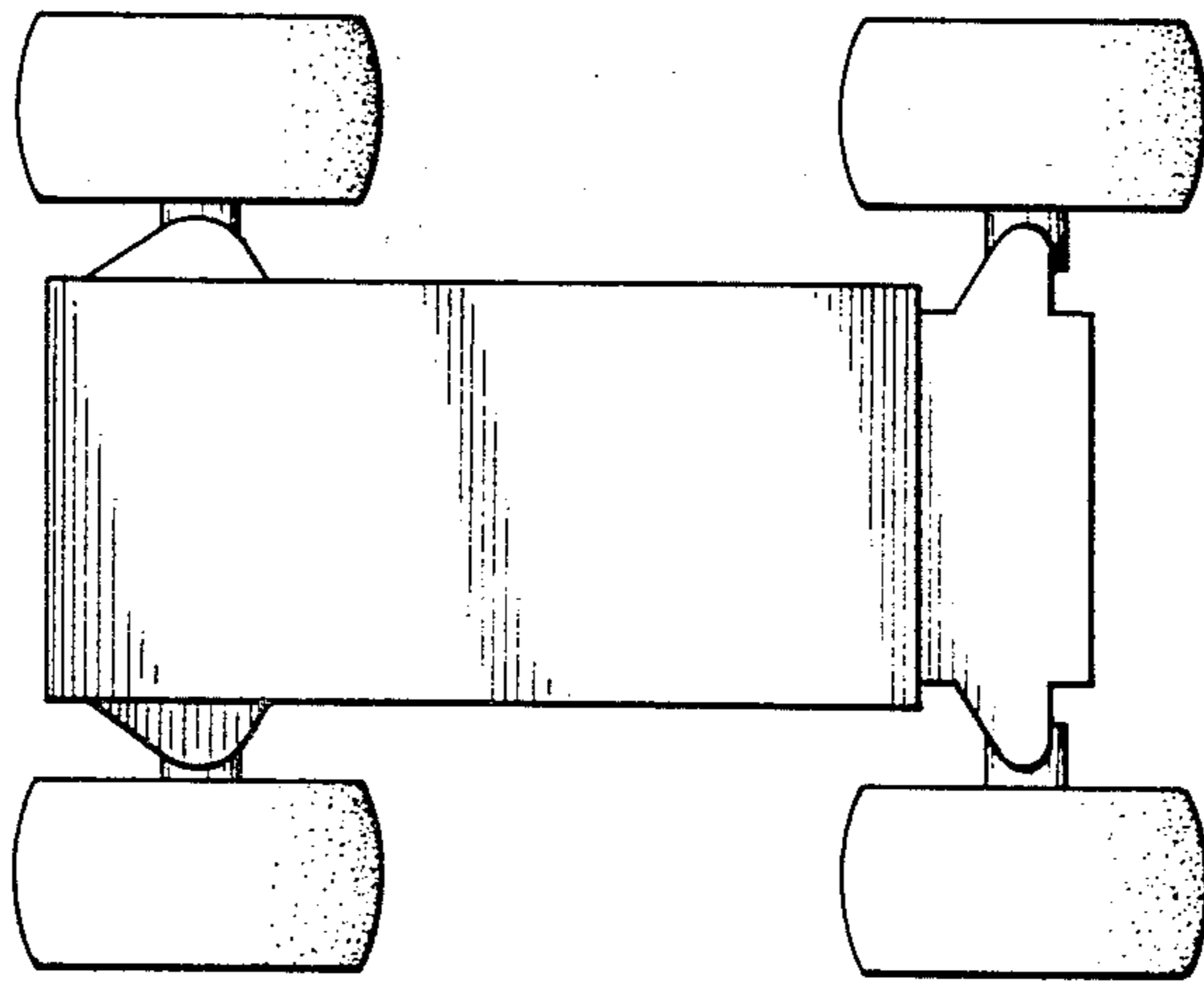


FIG. 3

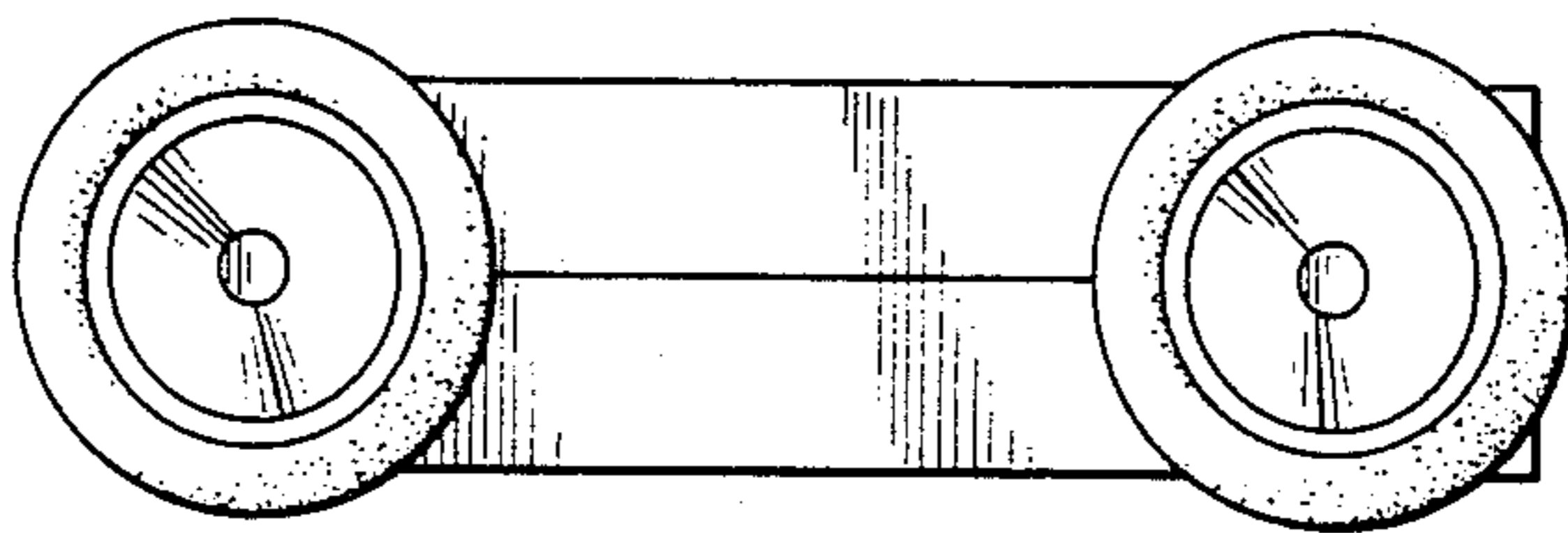


FIG. 4

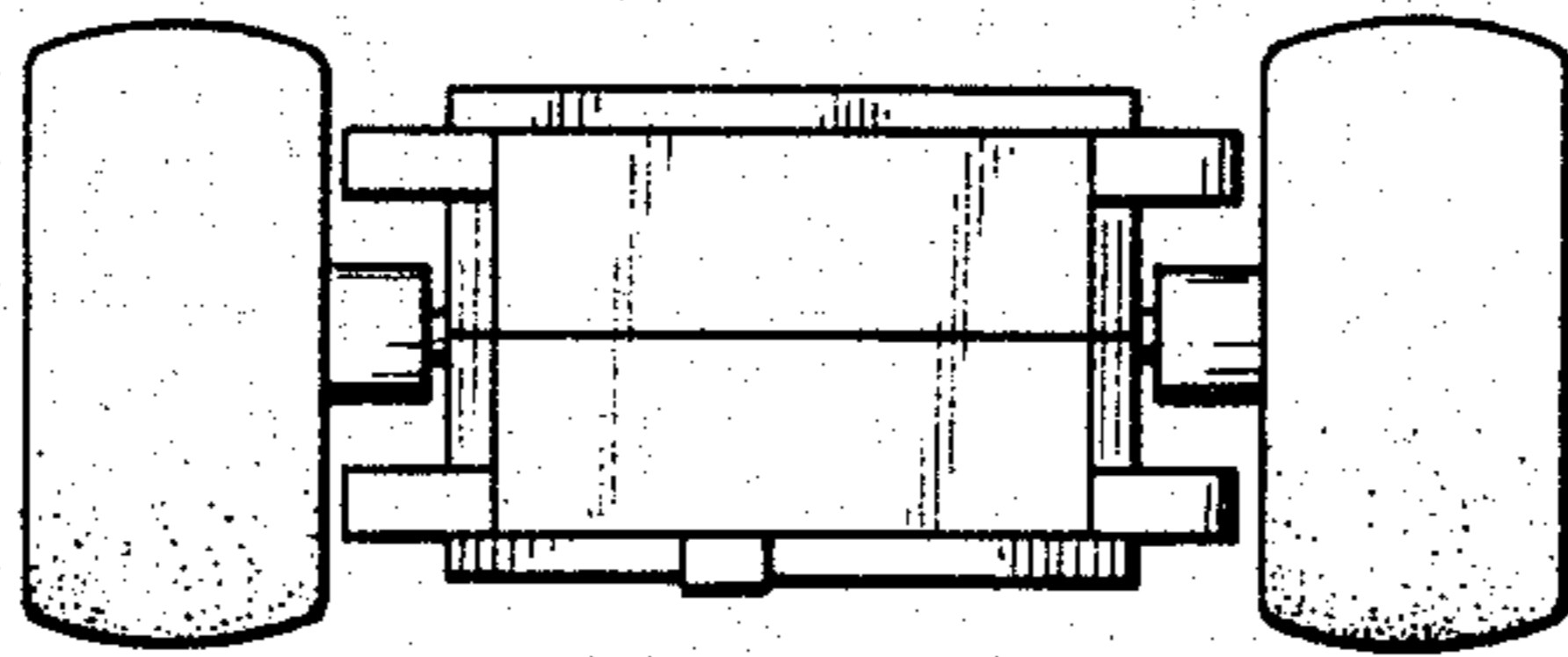


FIG. 5

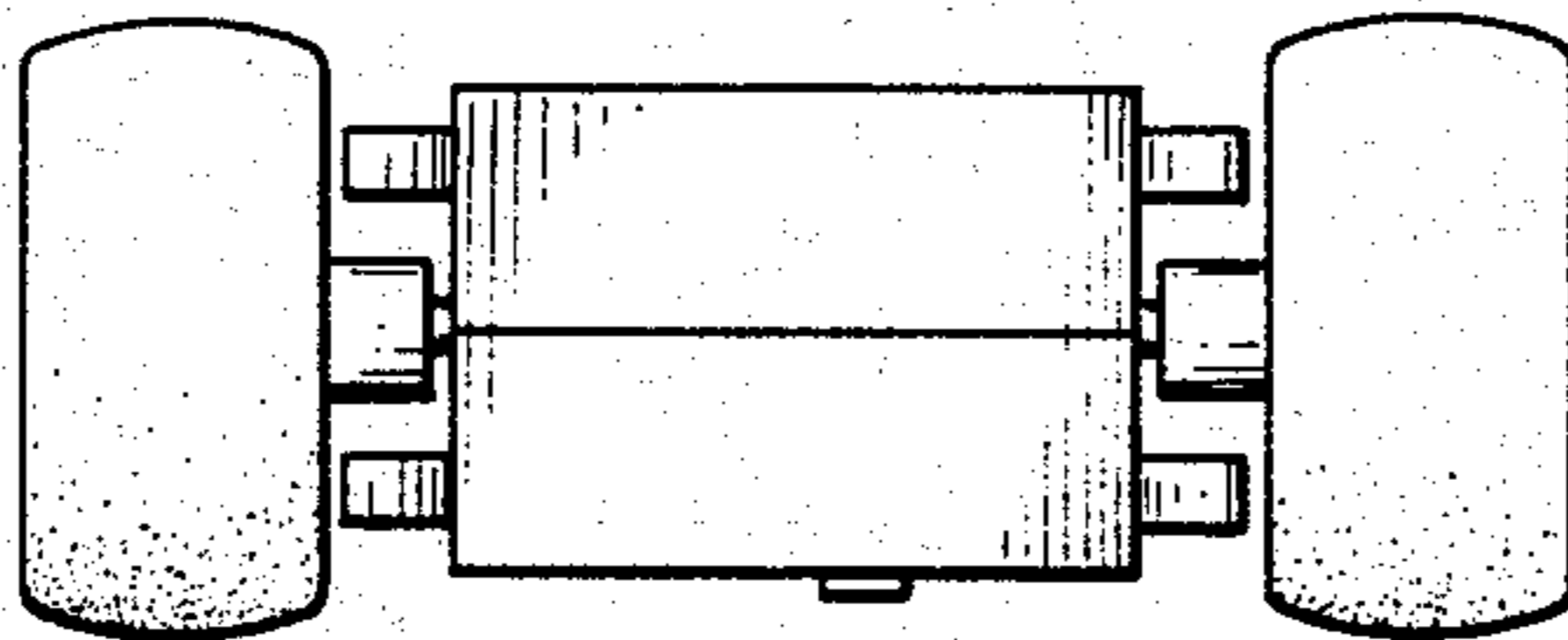


FIG. 6

