

# United States Patent [19]

Thomson et al.

[11] Patent Number: **Des. 285,949**

[45] Date of Patent: **\*\* Sep. 30, 1986**

[54] **TOY CART**

[75] Inventors: **Harry S. Thomson, Richmond; David M. Raffo; John A. Pape**, both of Hitchin, all of England

[73] Assignee: **Hestair Kiddicraft Limited**, Surrey, England

[\*\*] Term: **14 Years**

[21] Appl. No.: **576,016**

[22] Filed: **Feb. 1, 1984**

[30] **Foreign Application Priority Data**

Nov. 9, 1983 [GB] United Kingdom ..... 1016183  
[52] U.S. Cl. .... **D21/134**  
[58] Field of Search ..... D21/227, 128, 132, 134, D21/135; 446/439, 465, 448, 469, 450, 451, 452, 454, 456, 470; D34/12, 13, 14, 15, 16, 17

[56] **References Cited**

### U.S. PATENT DOCUMENTS

D. 219,649 1/1971 Salcman et al. .... D34/17  
D. 271,504 11/1983 Rivollet ..... D21/76  
D. 280,564 9/1985 Wilson ..... D21/134

### OTHER PUBLICATIONS

Technibilt Corp. Flier, 2-1959, Cart Model SC,650.

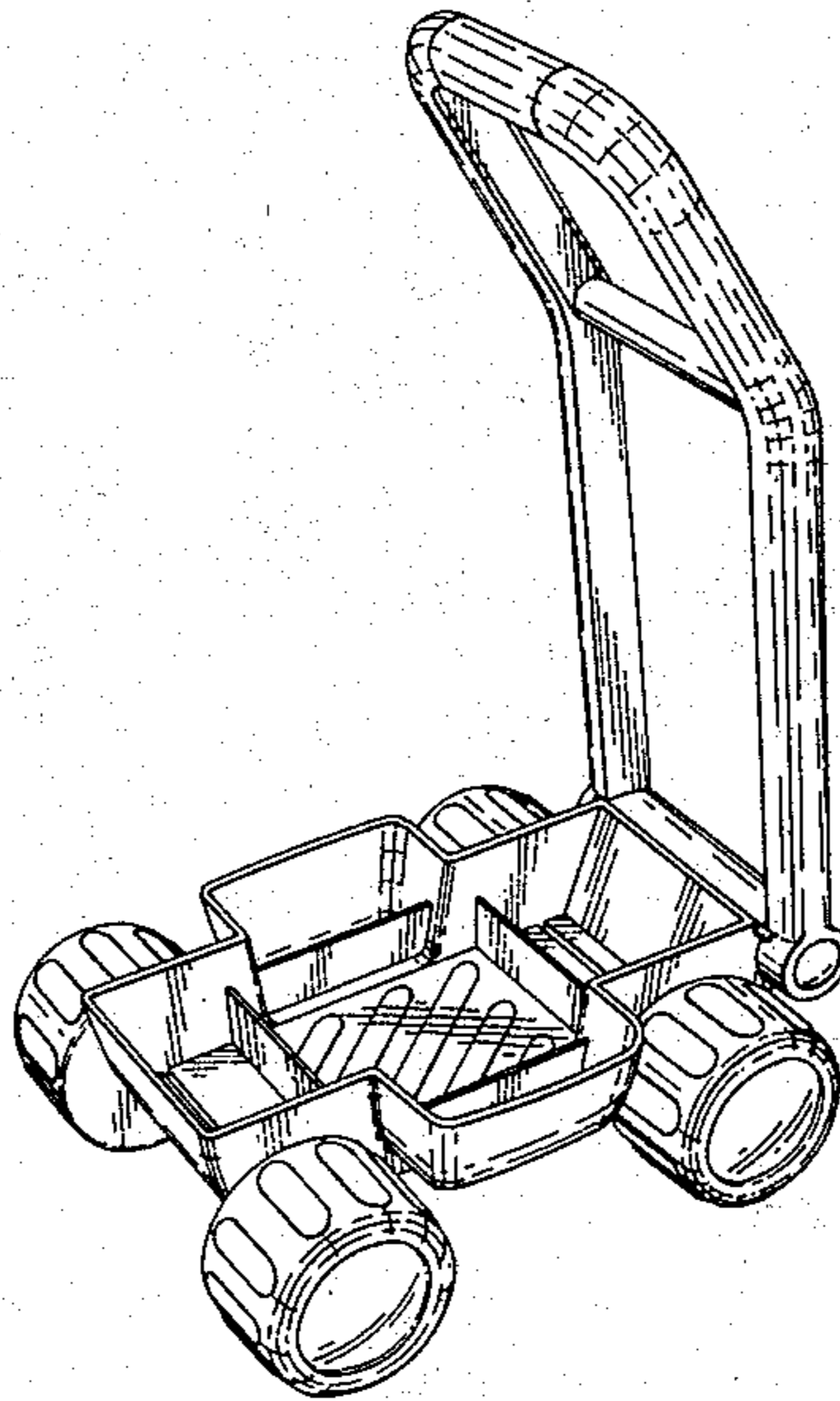
*Primary Examiner*—Charles A. Rademaker  
*Attorney, Agent, or Firm*—McCormick, Paulding & Huber

[57] **CLAIM**

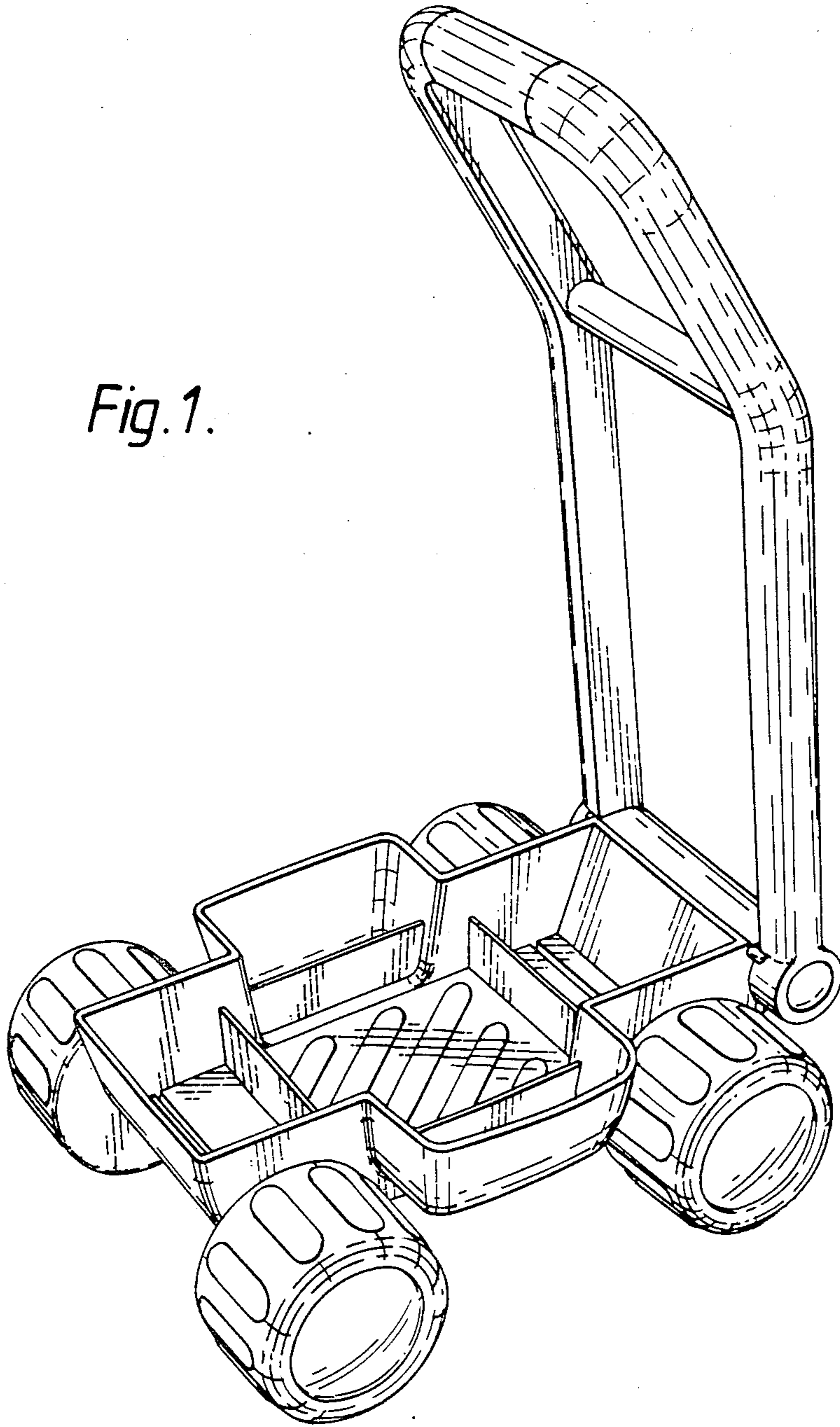
The ornamental design for a toy cart, as shown and described.

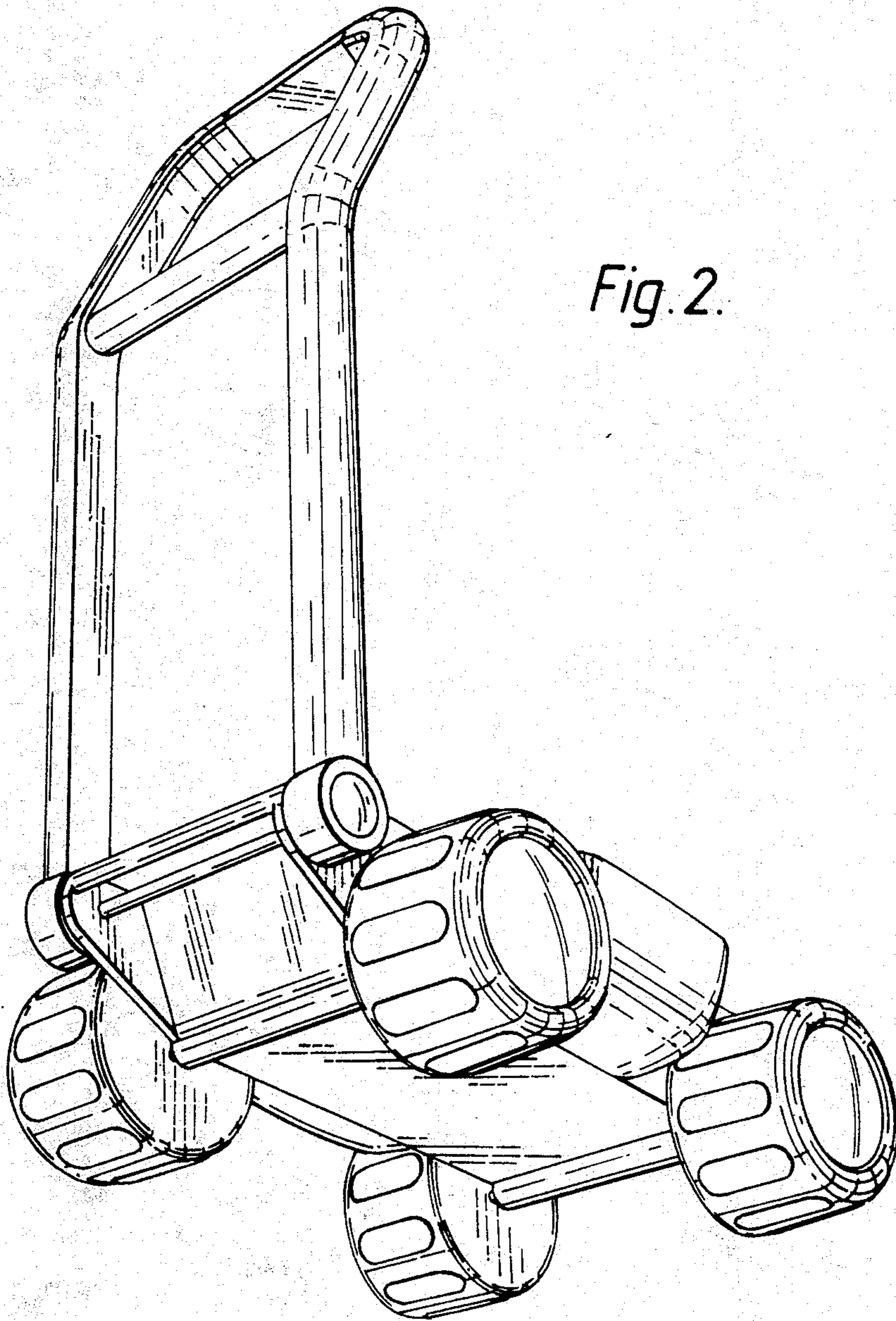
### DESCRIPTION

FIG. 1 is a perspective view of a toy cart showing our new design;  
FIG. 2 is a perspective view of the side opposite that shown in FIG. 1; and,  
FIG. 3 is a side perspective view thereof.



*Fig. 1.*





*Fig. 2.*

*Fig. 3.*

