

[54] GRINDING WHEEL FOR A GRINDING MACHINE

[76] Inventor: Gunnar Olovsson, P.O. Box 3031, S-981 03 Kiruna, Sweden

[**] Term: 14 Years

[21] Appl. No.: 546,415

[22] Filed: Oct. 28, 1983

[30] Foreign Application Priority Data

Apr. 29, 1983 [SE] Sweden 831219
 [52] U.S. Cl. D15/126
 [58] Field of Search D15/124-126;
 51/72 R, 206 R

[56] References Cited

U.S. PATENT DOCUMENTS

2,150,886 3/1939 Van Der Pyl 51/206 R
 2,268,663 1/1942 Kuzmick 51/206 R
 2,877,105 3/1959 Smith 51/206 R
 3,427,759 2/1969 Kistler et al. 51/206 R

Primary Examiner—B. J. Bullock
 Attorney, Agent, or Firm—Burns, Doane, Swecker & Mathis

[57] CLAIM

The ornamental design for a grinding wheel for a grinding machine, as shown and described.

DESCRIPTION

FIG. 1 is a front perspective view of a grinding wheel for a grinding machine showing my new design; FIG. 2 is a rear perspective view thereof.

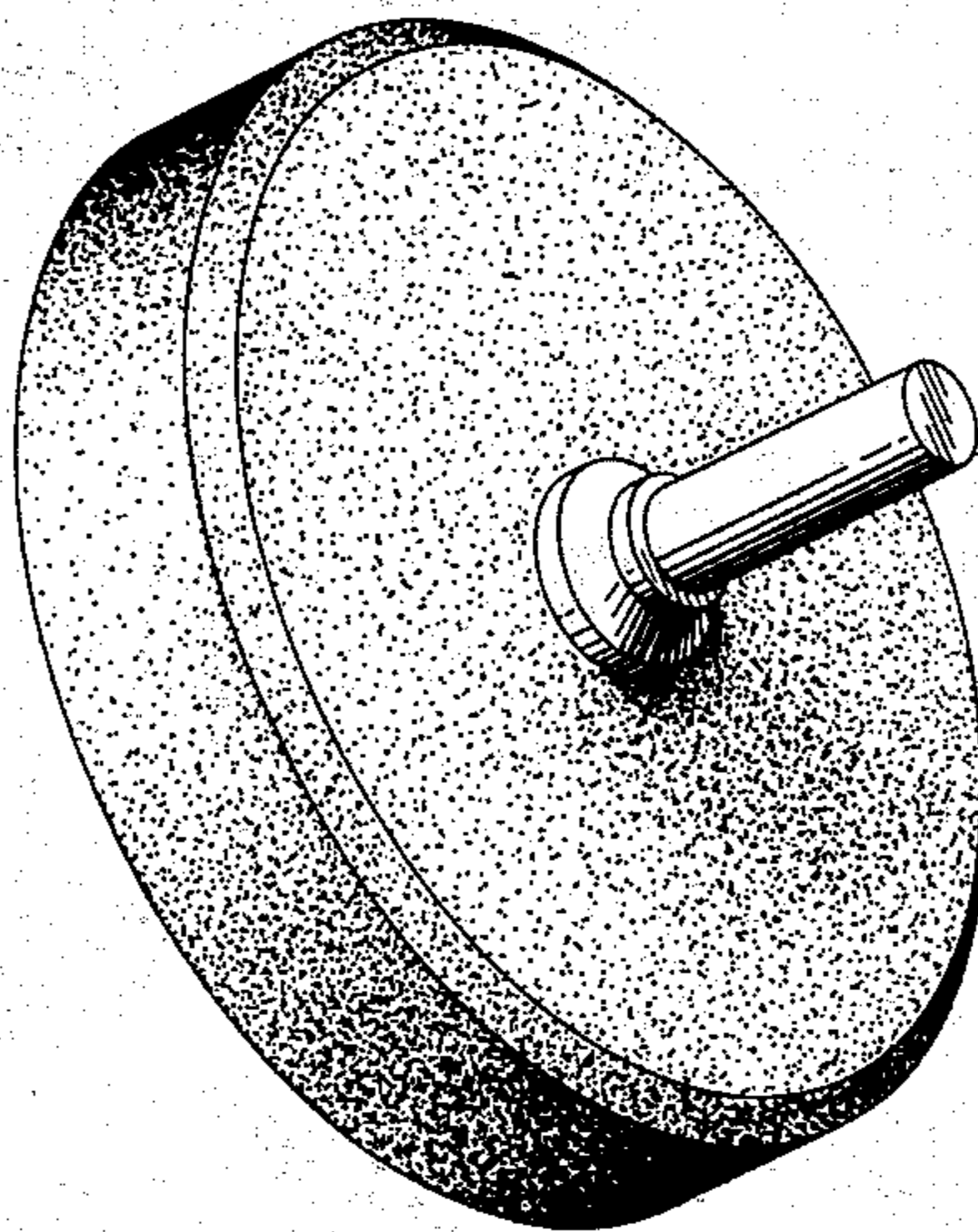


FIG. 1

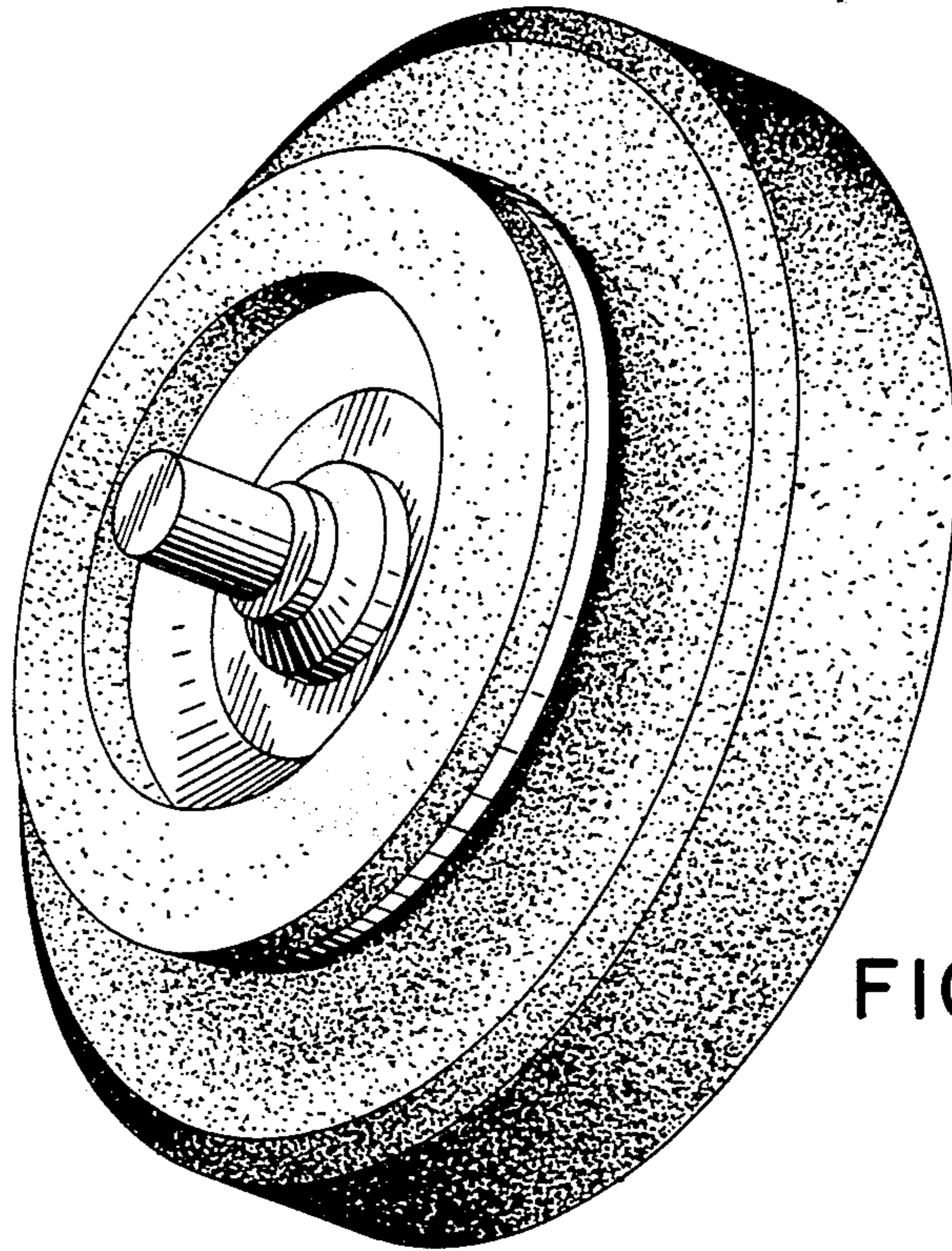
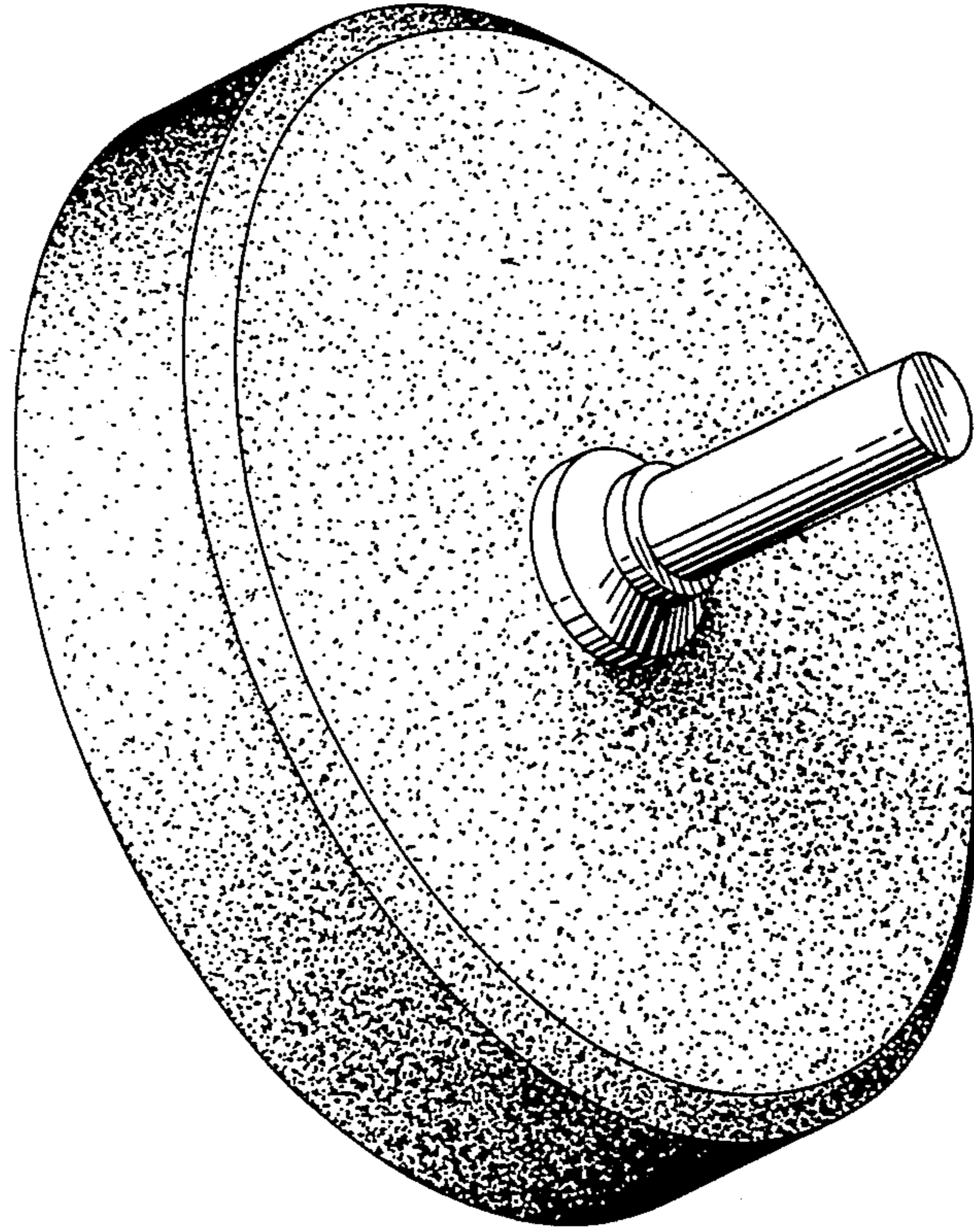


FIG. 2