

[54] **LIGHT GRINDING MACHINE**

[75] **Inventor: C. T. Cheng, Tai Chung Hsien, Taiwan**

[73] **Assignee: Rong Kuang Machinery Co. Ltd., Tai Chung Hsine, Taiwan**

[\*\*] **Term: 14 Years**

[21] **Appl. No.: 582,464**

[22] **Filed: Feb. 22, 1984**

[52] **U.S. Cl. .... D15/124**

[58] **Field of Search .... D15/124-126; 51/72 R, 98 R**

[56]

**References Cited**

**U.S. PATENT DOCUMENTS**

D. 137,121 1/1944 Wilson ..... D15/124  
D. 193,519 9/1962 Godar ..... D15/124

D. 201,289 6/1965 Heubi ..... D15/124  
D. 280,202 8/1985 Aldridge, Jr. .... D15/124  
2,591,206 4/1952 Scott ..... 51/98  
2,787,092 4/1957 Smith ..... 51/98

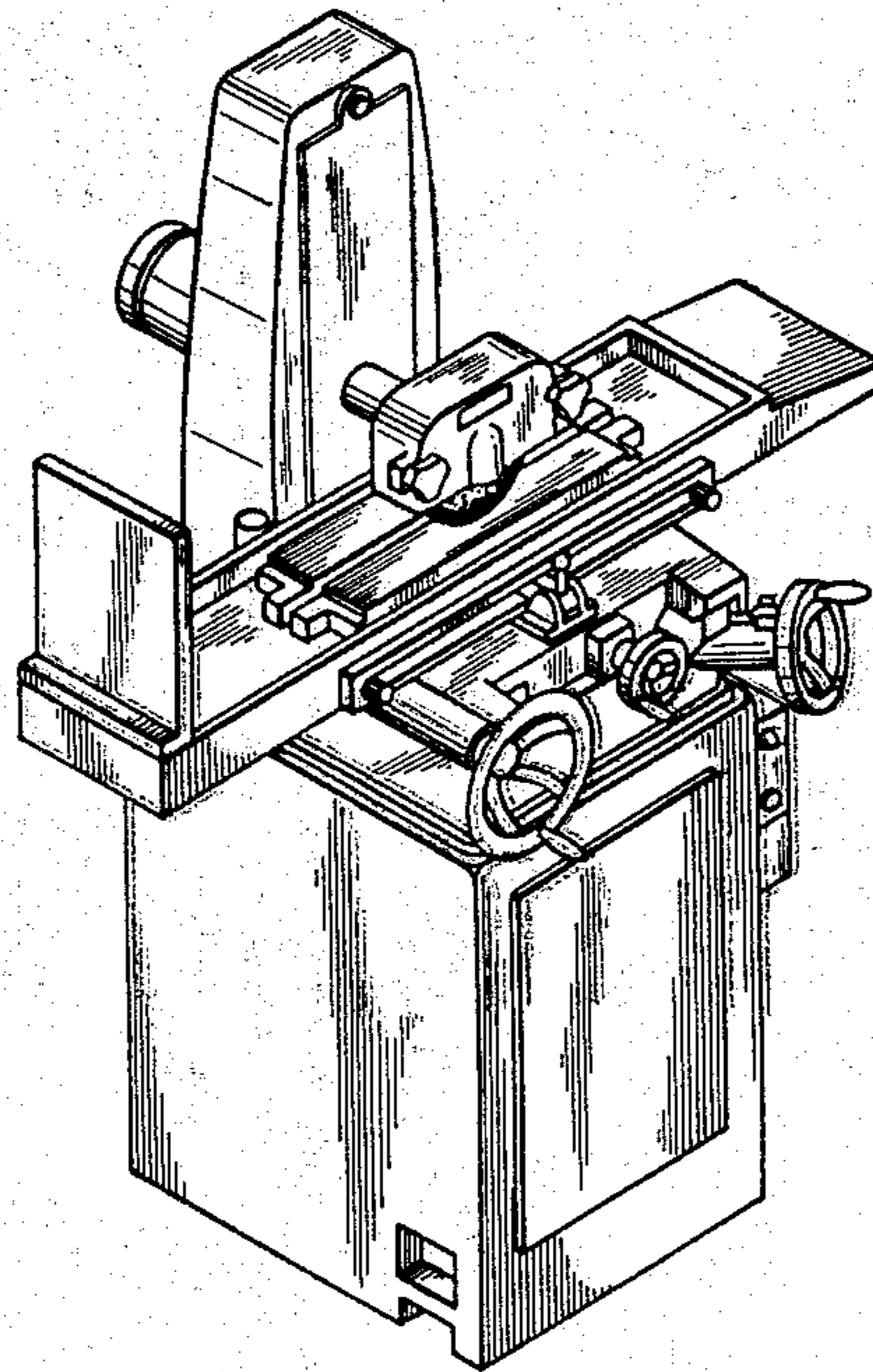
*Primary Examiner*—B. J. Bullock  
*Attorney, Agent, or Firm*—Ladas & Parry

[57] **CLAIM**

The ornamental design for a light grinding machine or similar article, as shown.

**DESCRIPTION**

FIG. 1 is a perspective view of a light grinding machine showing my new design;  
FIG. 2 is a reduced front elevational view thereof;  
FIG. 3 is a reduced right side elevational view thereof;  
FIG. 4 is a reduced left side elevational view thereof;  
FIG. 5 is a reduced top plan view thereof;  
FIG. 6 is a reduced rear elevational view thereof;  
FIG. 7 is a reduced bottom plan view thereof.



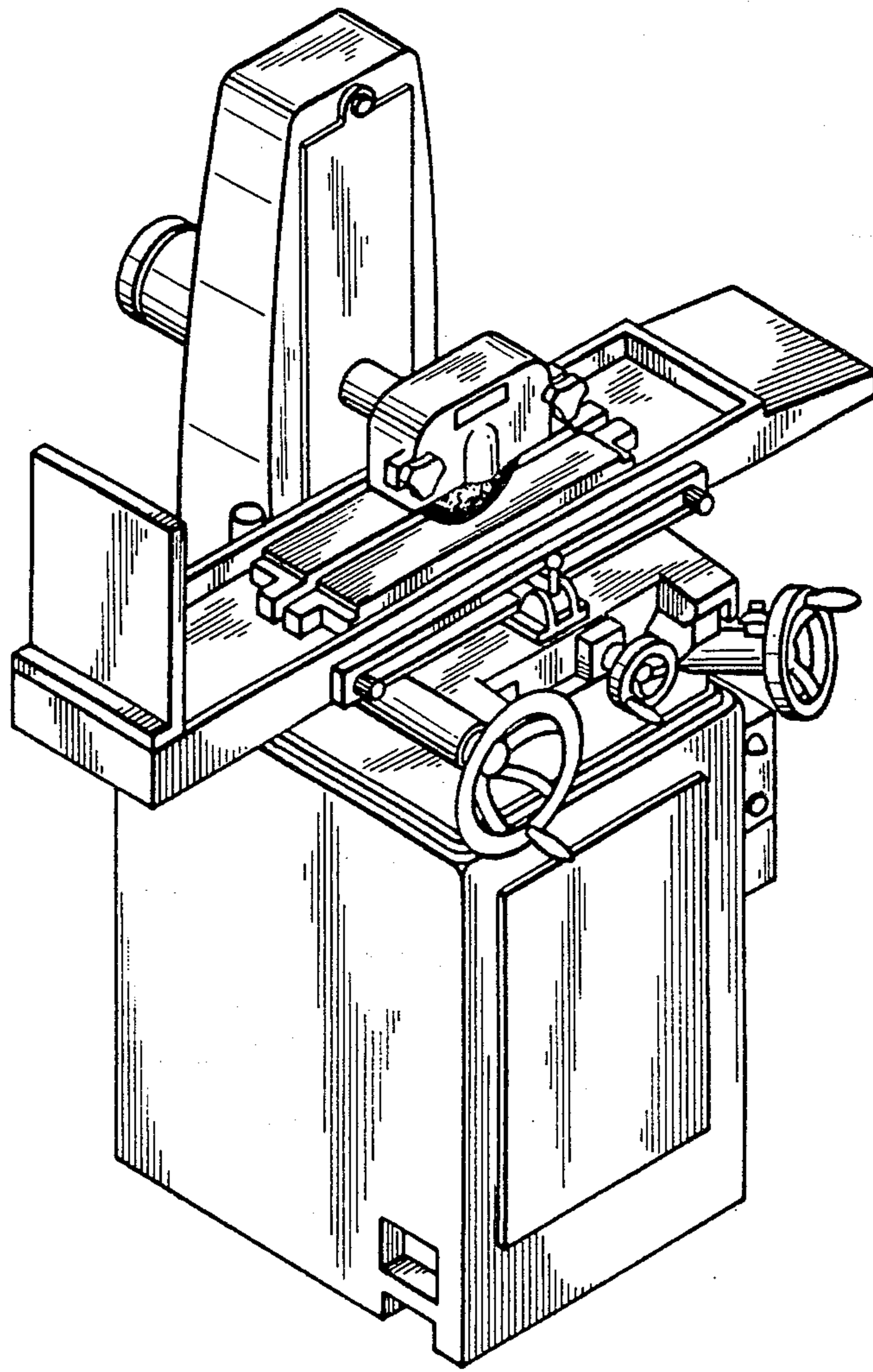
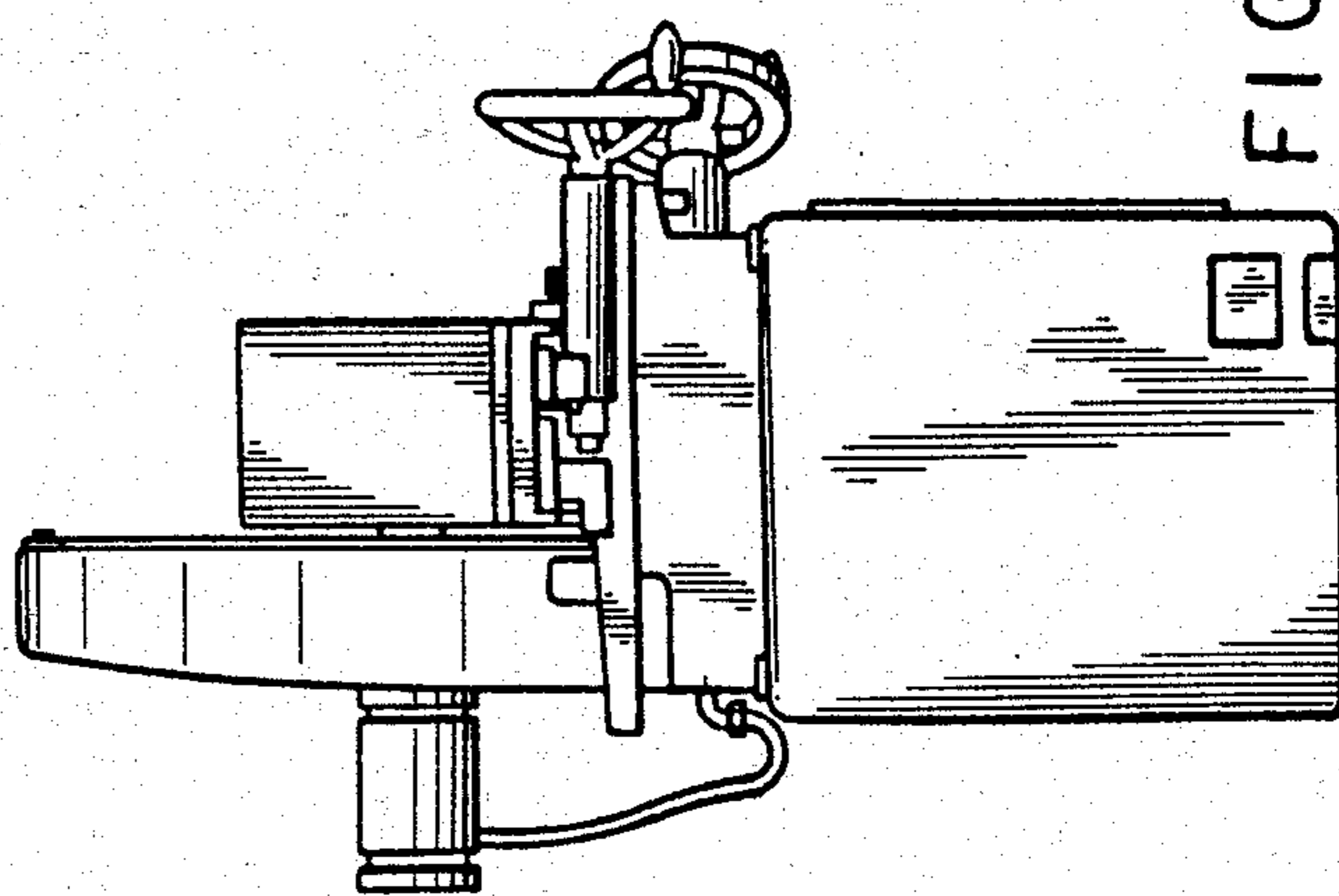
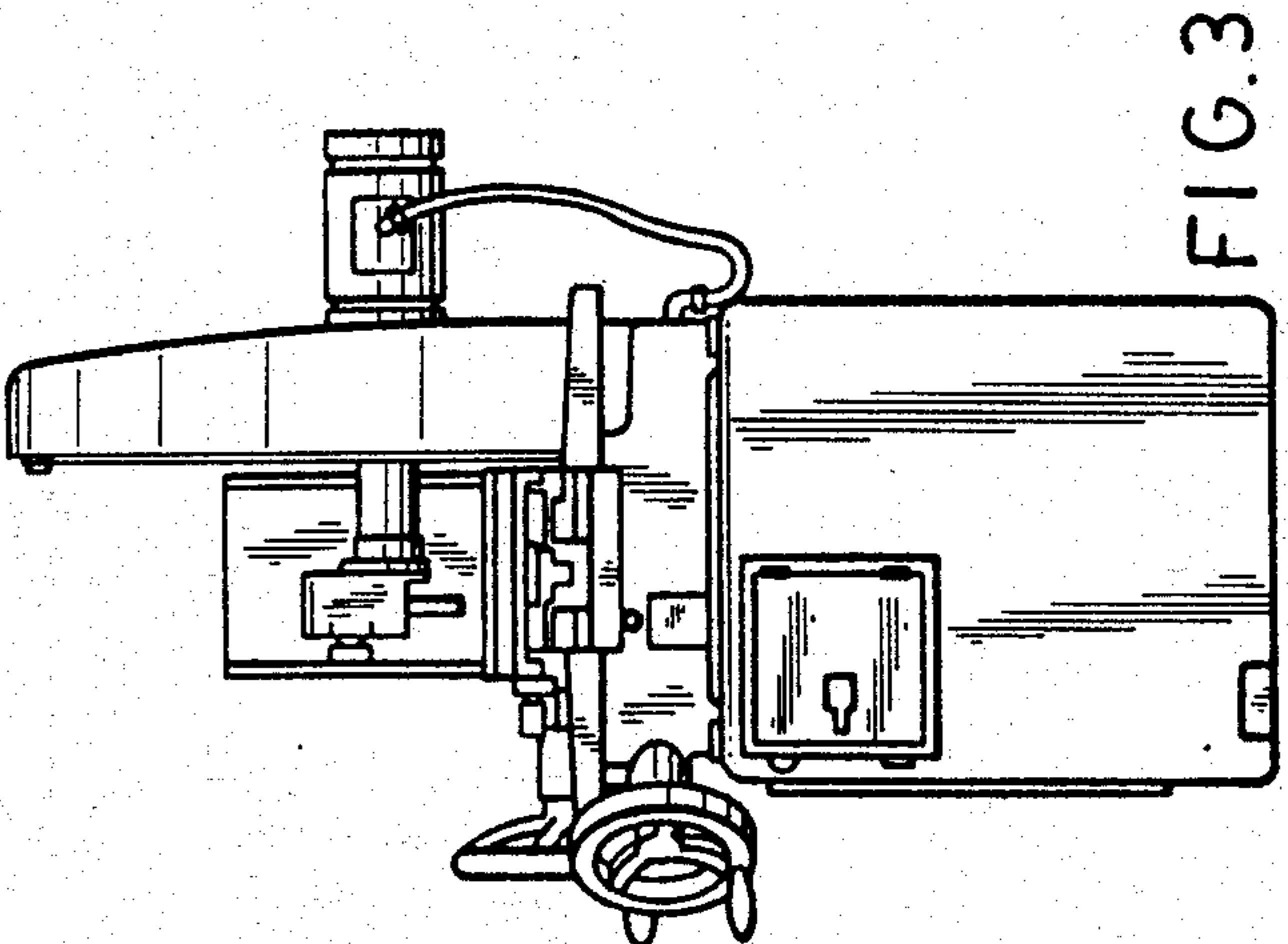
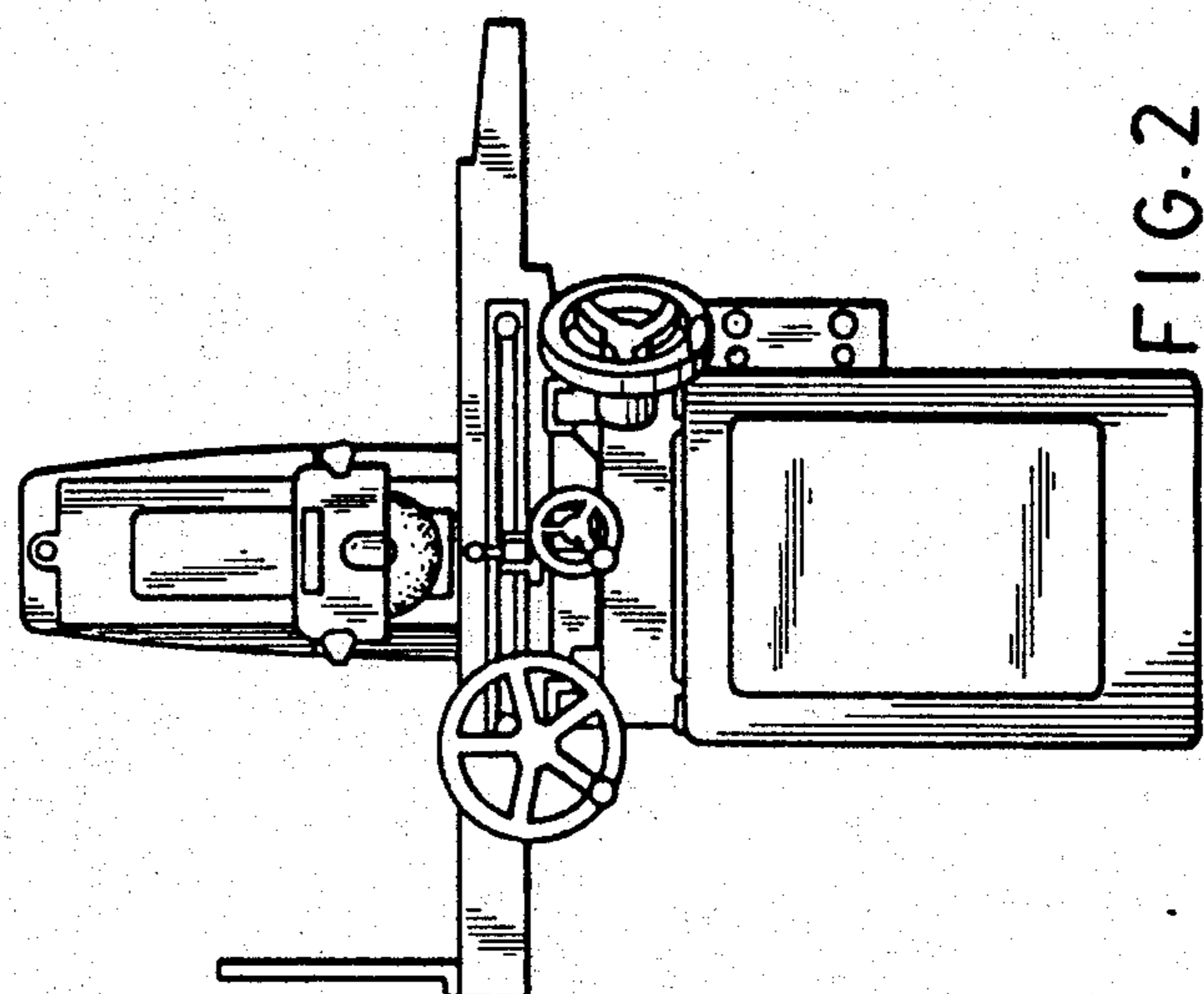
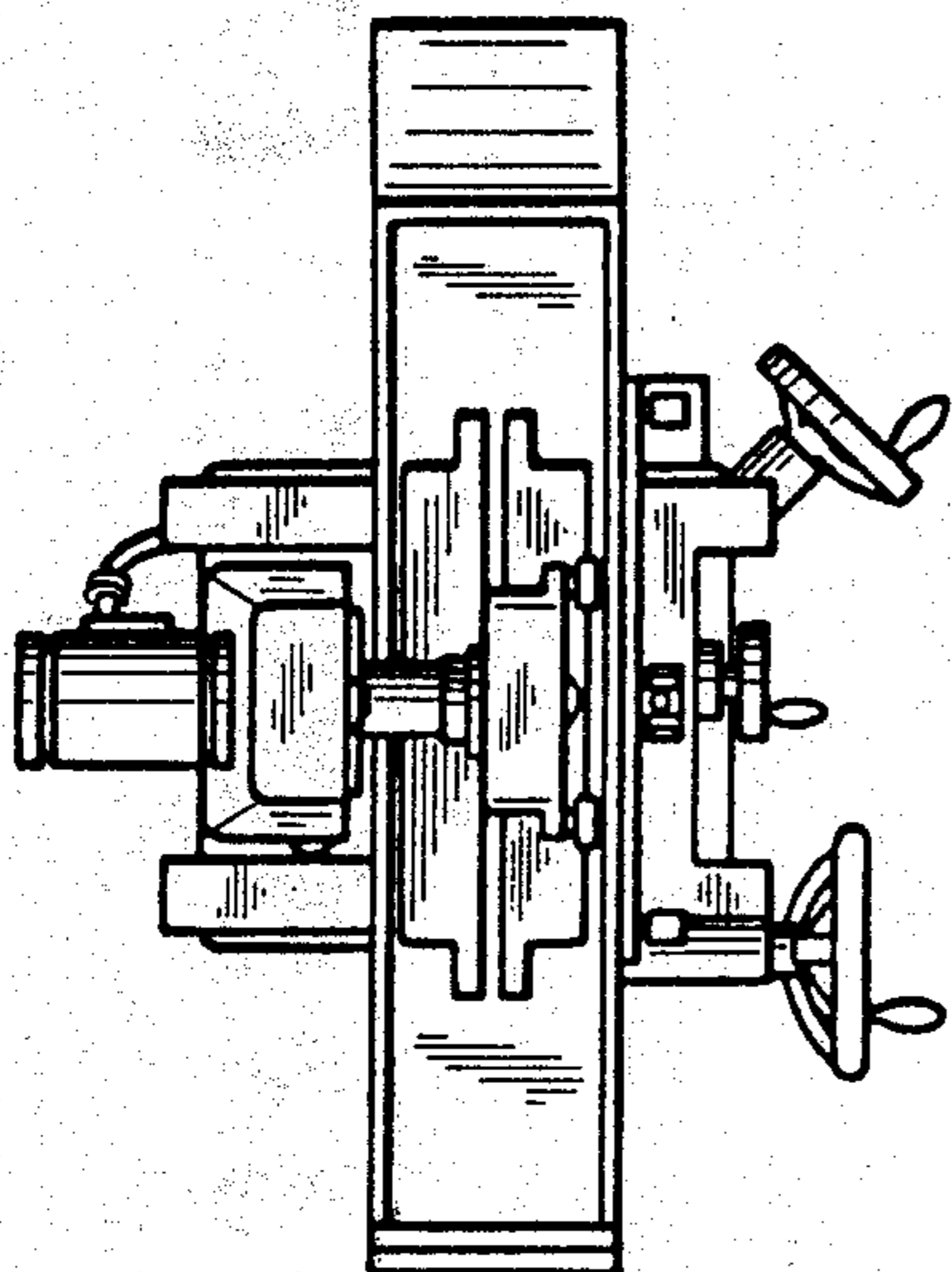


FIG. 1





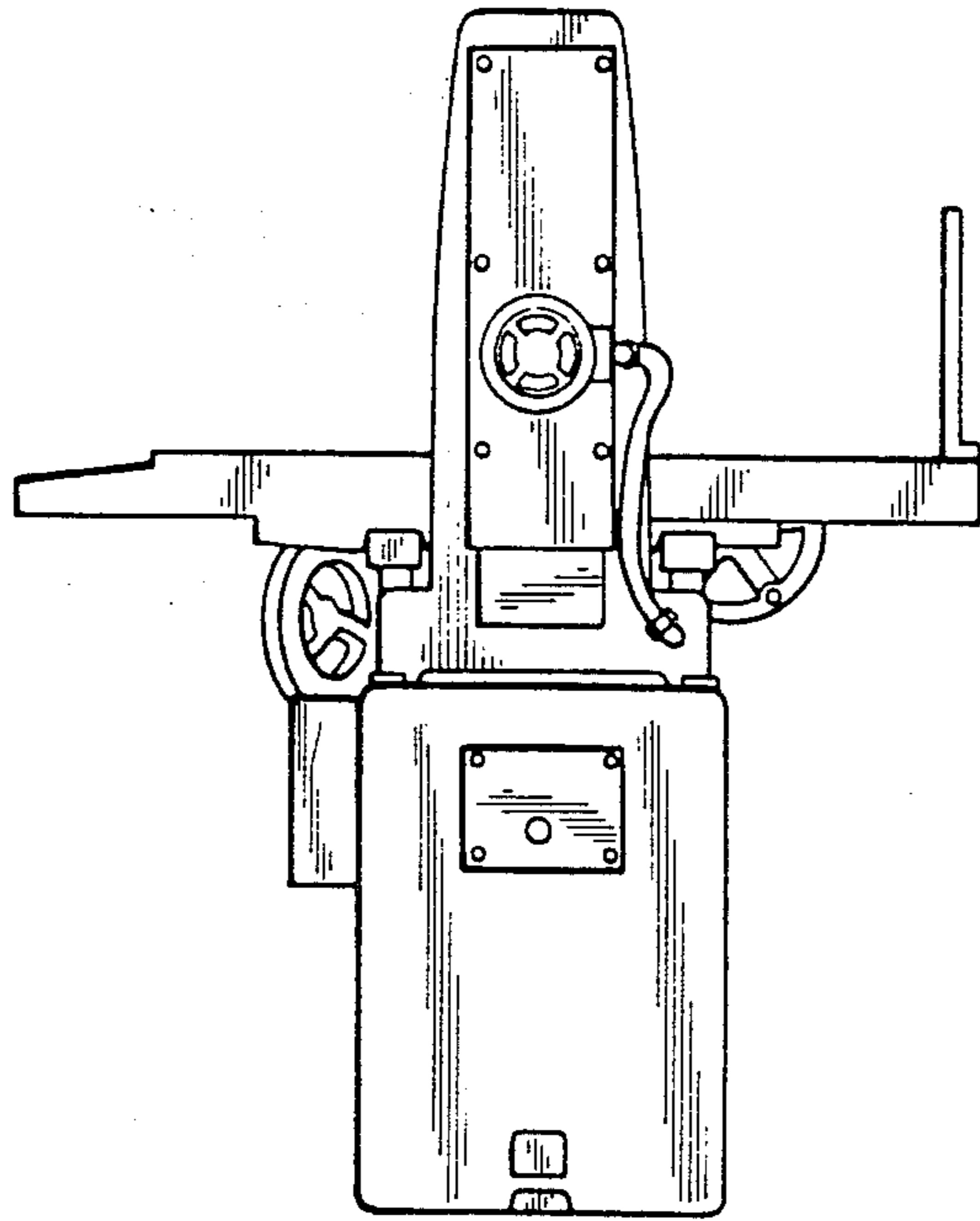


FIG. 6

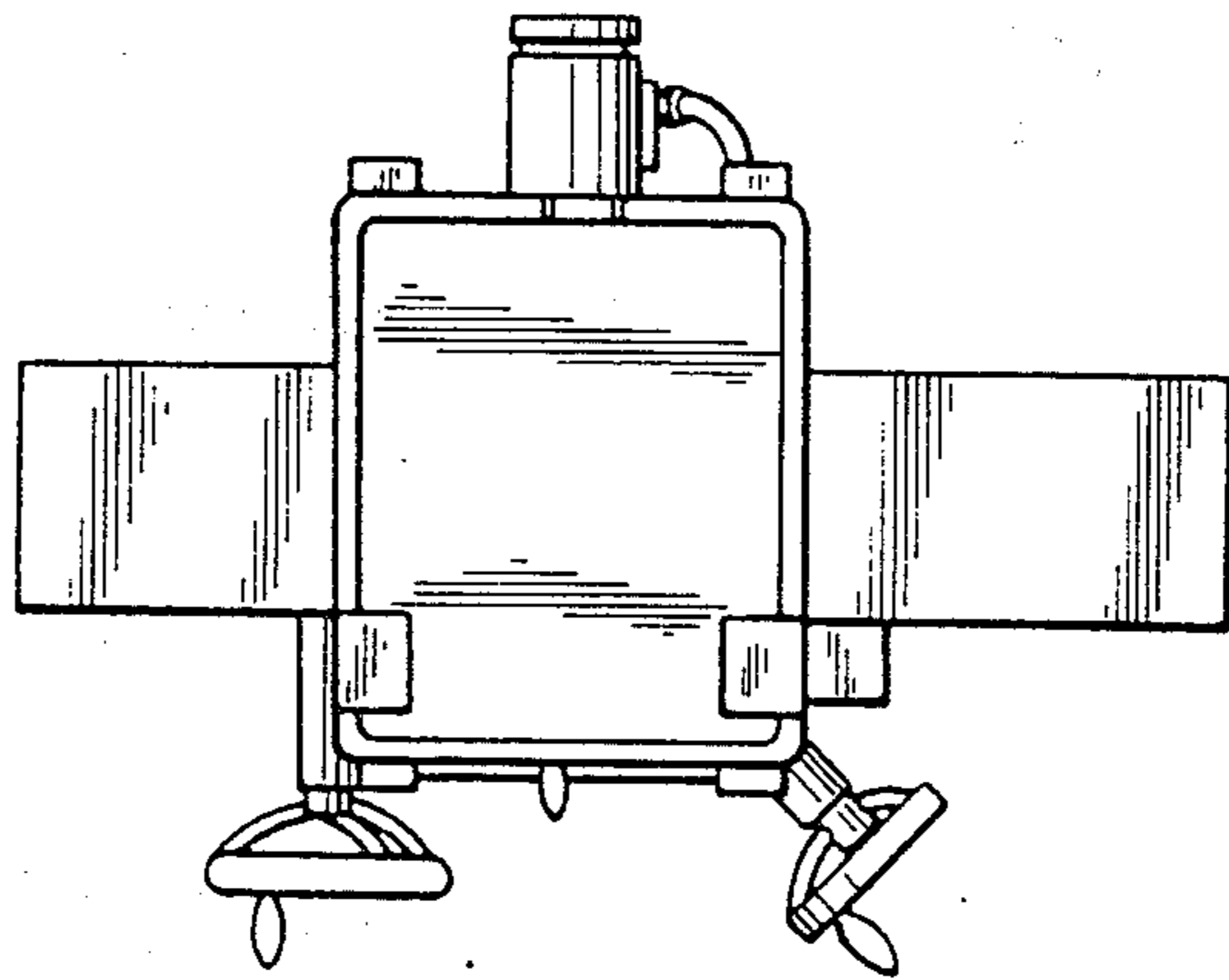


FIG. 7