

[54] **TELEVISION TUNER FOR A VIDEO TAPE RECORDER**

[75] **Inventor: Yoshinobu Kitakaze, Ehime, Japan**

[73] **Assignee: Matsushita Electric Industrial Co., Ltd., Osaka, Japan**

[\*\*] **Term: 14 Years**

[21] **Appl. No.: 558,395**

[22] **Filed: Dec. 5, 1983**

[30] **Foreign Application Priority Data**

Jun. 3, 1983 [JP] Japan ..... 58-24062

[52] **U.S. Cl. .... D14/10; D14/2; D14/6; D14/77; D14/84**

[58] **Field of Search ..... D14/1, 77, 84, 2, 6, D14/10**

[56] **References Cited PUBLICATIONS**

*Stereo Review*, 11-82, inside front cover, p. 1, Mitsubishi TV tuner-controller (tuner/control center).

*Stereo Review*, 12-82, p. 99, AIWA V-1000 system rack.

*Primary Examiner*—Jane E. Corrigan  
*Attorney, Agent, or Firm*—Sughrue, Mion, Zinn, Macpeak, and Seas

[57] **CLAIM**

The ornamental design for a television tuner for a video tape recorder, as shown and described.

**DESCRIPTION**

FIG. 1 is a front, top and right side perspective view of a television tuner for a video tape recorder showing my new design;

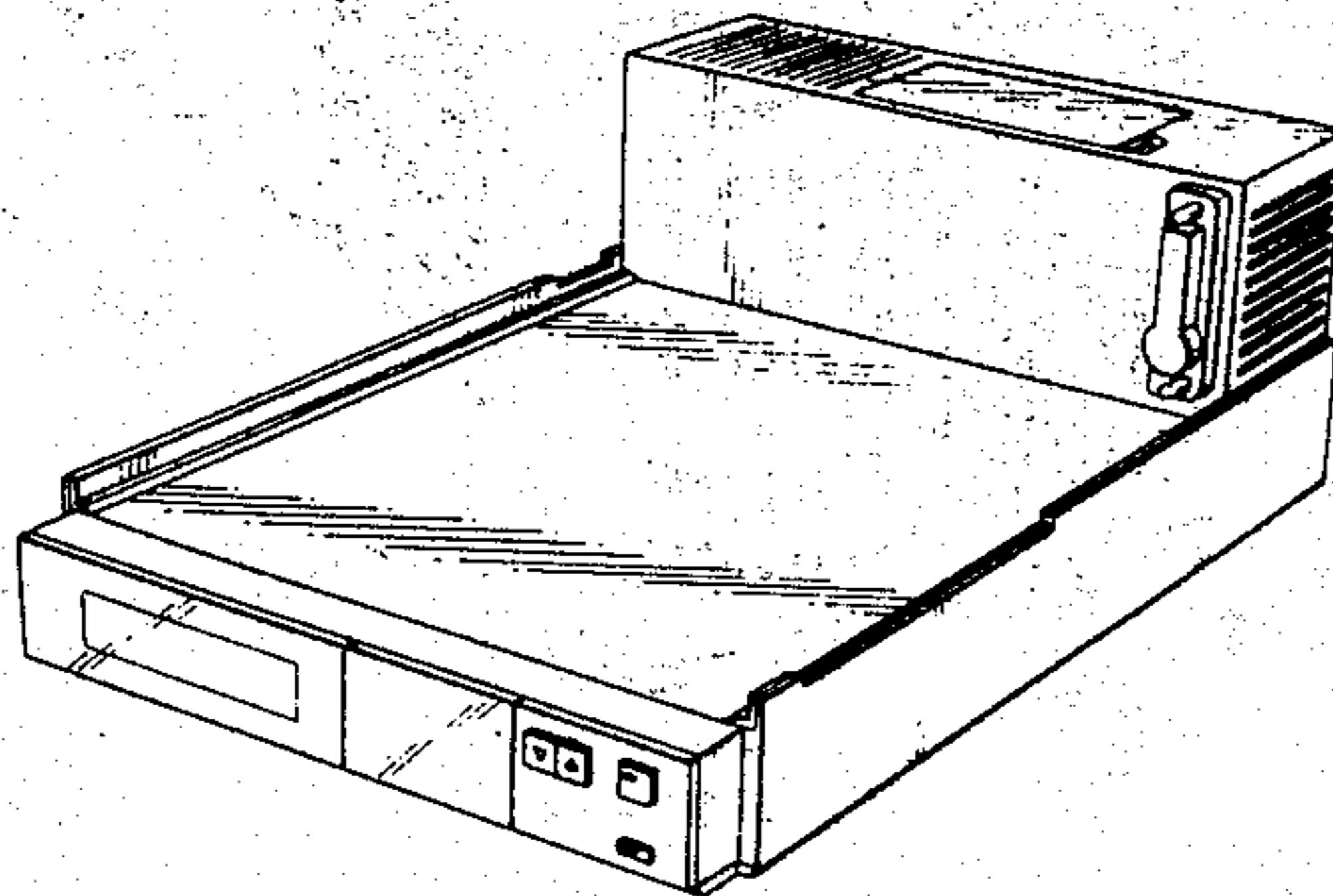
FIG. 2 is a rear, top and left side perspective view thereof;

FIG. 3 is a front elevational view thereof;

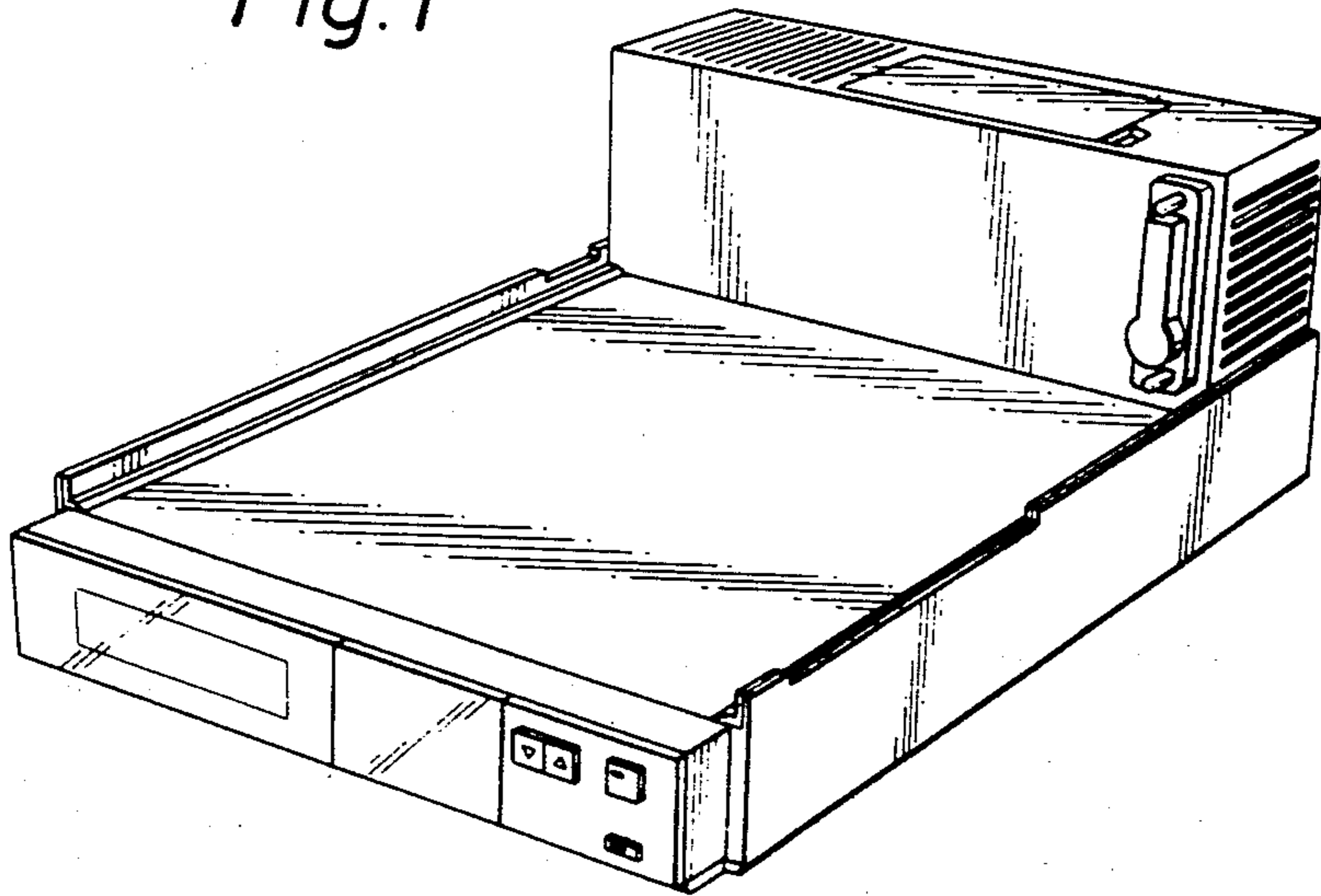
FIG. 4 is a rear elevational view thereof;

FIG. 5 is a top plan view thereof; and

FIG. 6 is a bottom plan view thereof.



*Fig. 1*



*Fig. 2*

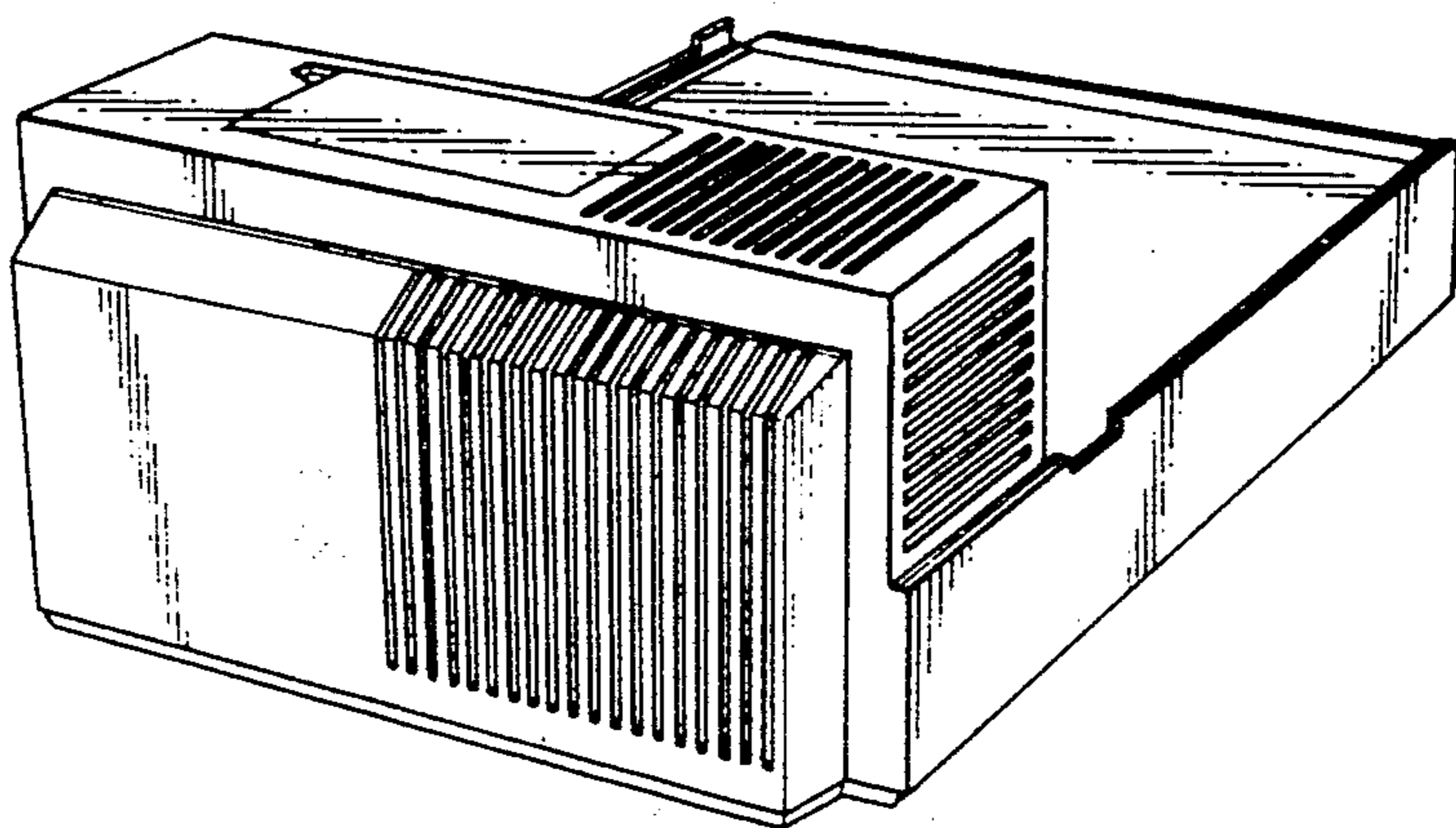


Fig. 3

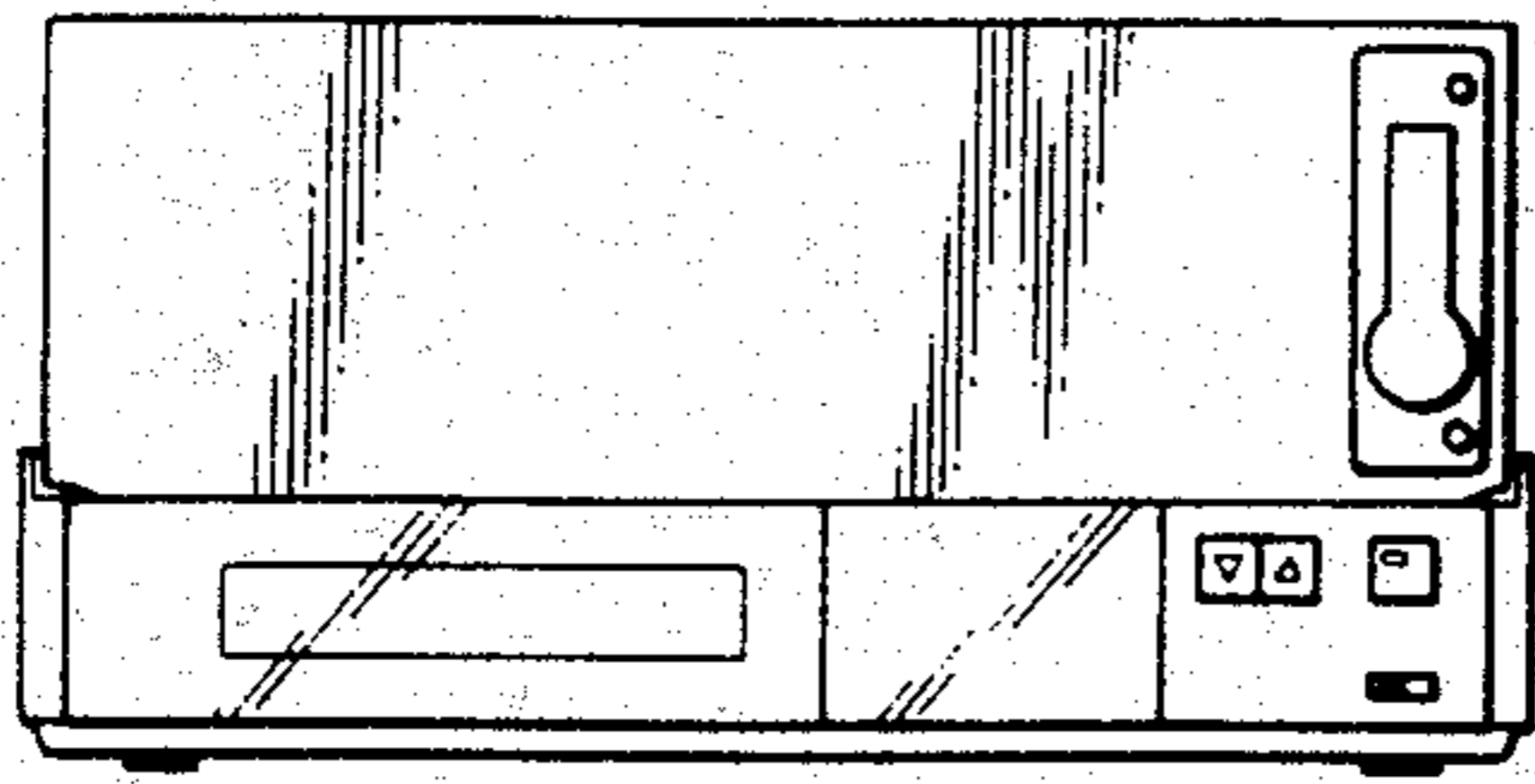


Fig. 4

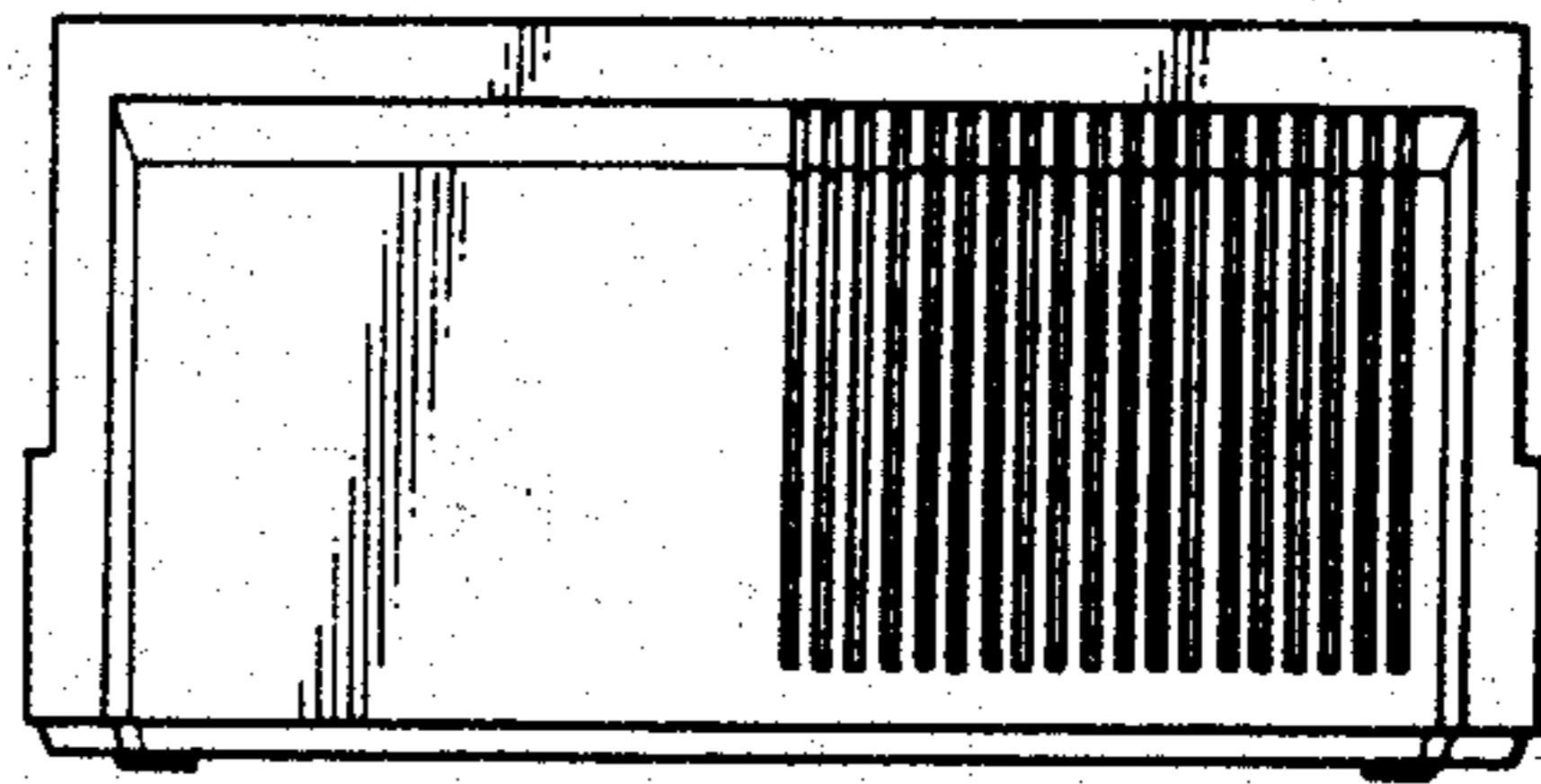


Fig. 5

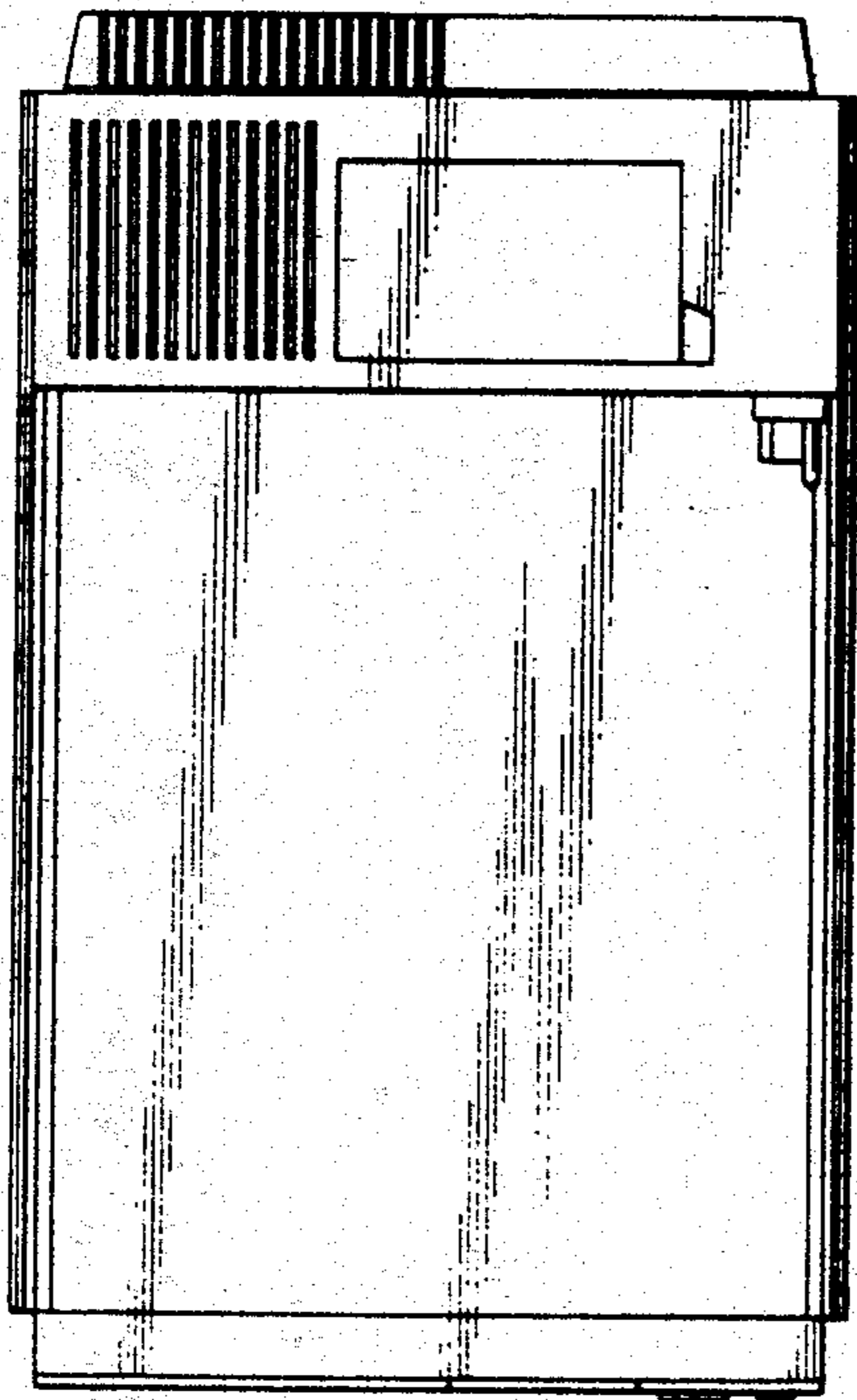


Fig. 6

