

[54] ELECTRICAL MEASURING INSTRUMENT

[75] Inventors: Peter G. Nichols, Dover; David C. Tedd, Folkestone; Terence M. Friend, Guston, Nr. Dover; Christopher L. Steggall, London, all of England

[73] Assignee: Thorn EMI Instruments Limited, Dover, England

[\*\*] Term: 14 Years

[21] Appl. No.: 507,600

[22] Filed: Jun. 24, 1983

Related U.S. Application Data

[63] Continuation-in-part of Ser. No. 475,936, Mar. 16, 1983.

[30] Foreign Application Priority Data

Oct. 15, 1982 [GB] United Kingdom ..... 1009279

[52] U.S. Cl. .... D10/79

[58] Field of Search ..... D10/46, 78, 79, 102, D10/103, 94; 324/127, 129, 156; 336/176, 178

[56] References Cited

U.S. PATENT DOCUMENTS

|            |         |                    |           |
|------------|---------|--------------------|-----------|
| D. 237,365 | 10/1975 | Vachtel .....      | D10/78    |
| D. 247,353 | 2/1978  | Kuramoto .....     | D10/79    |
| 2,583,798  | 1/1952  | Rowell et al. .... | 324/127   |
| 3,213,366  | 10/1965 | Eadie, Jr. ....    | 324/127   |
| 3,351,855  | 11/1967 | Scott .....        | 324/127 X |
| 3,465,250  | 9/1969  | Schilling .....    | 324/127   |

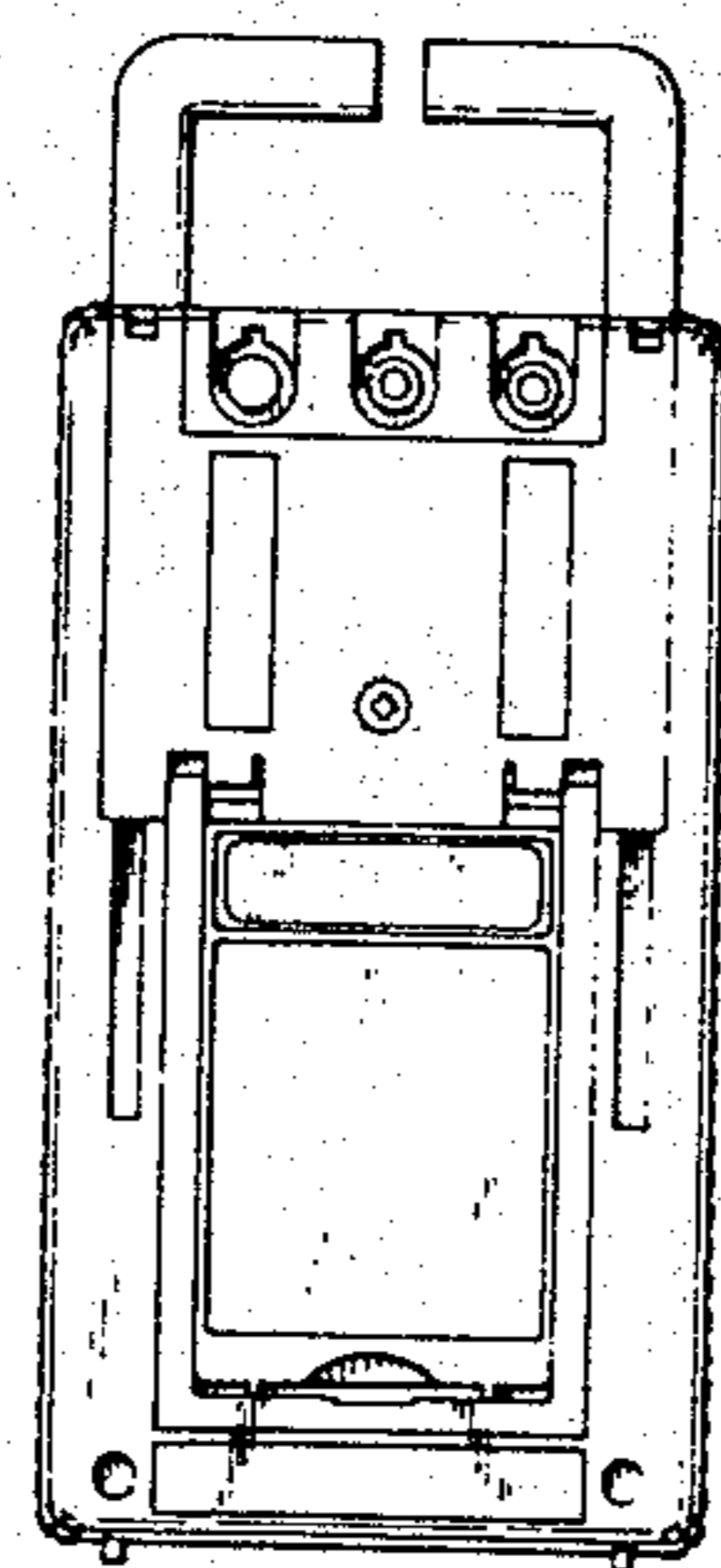
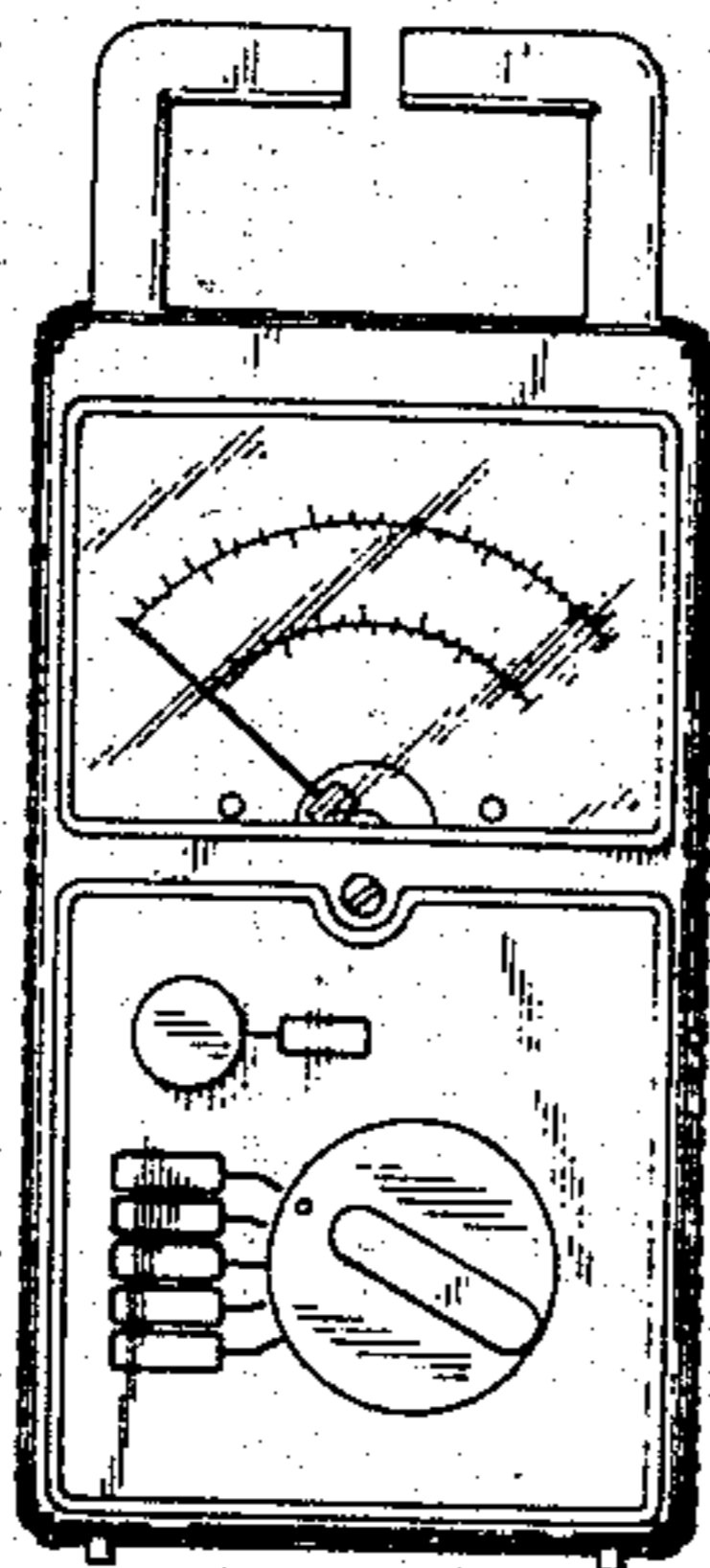
Primary Examiner—Nelson C. Holtje  
Assistant Examiner—Terry Pfeffer  
Attorney, Agent, or Firm—Fleit, Jacobson, Cohn & Price

[57] CLAIM

The ornamental design for an electrical measuring instrument, as shown and described.

DESCRIPTION

FIG. 1 is a front elevational view of an electrical measuring instrument showing our new design; FIG. 2 is a rear elevational view thereof; FIG. 3 is a top rear, left side perspective rear view thereof; FIG. 4 is a right side elevational view thereof; and FIG. 5 is a bottom plan view thereof.



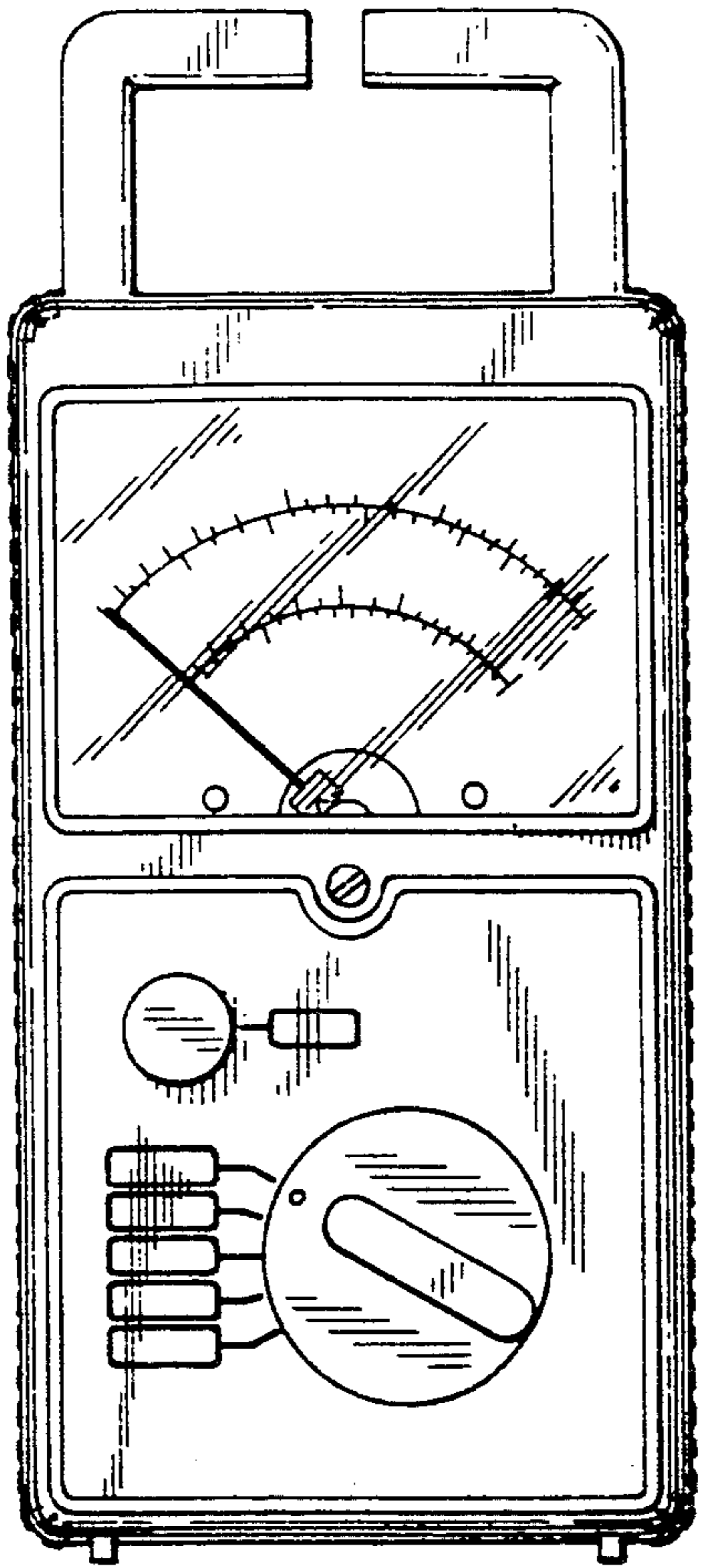


FIG. 1

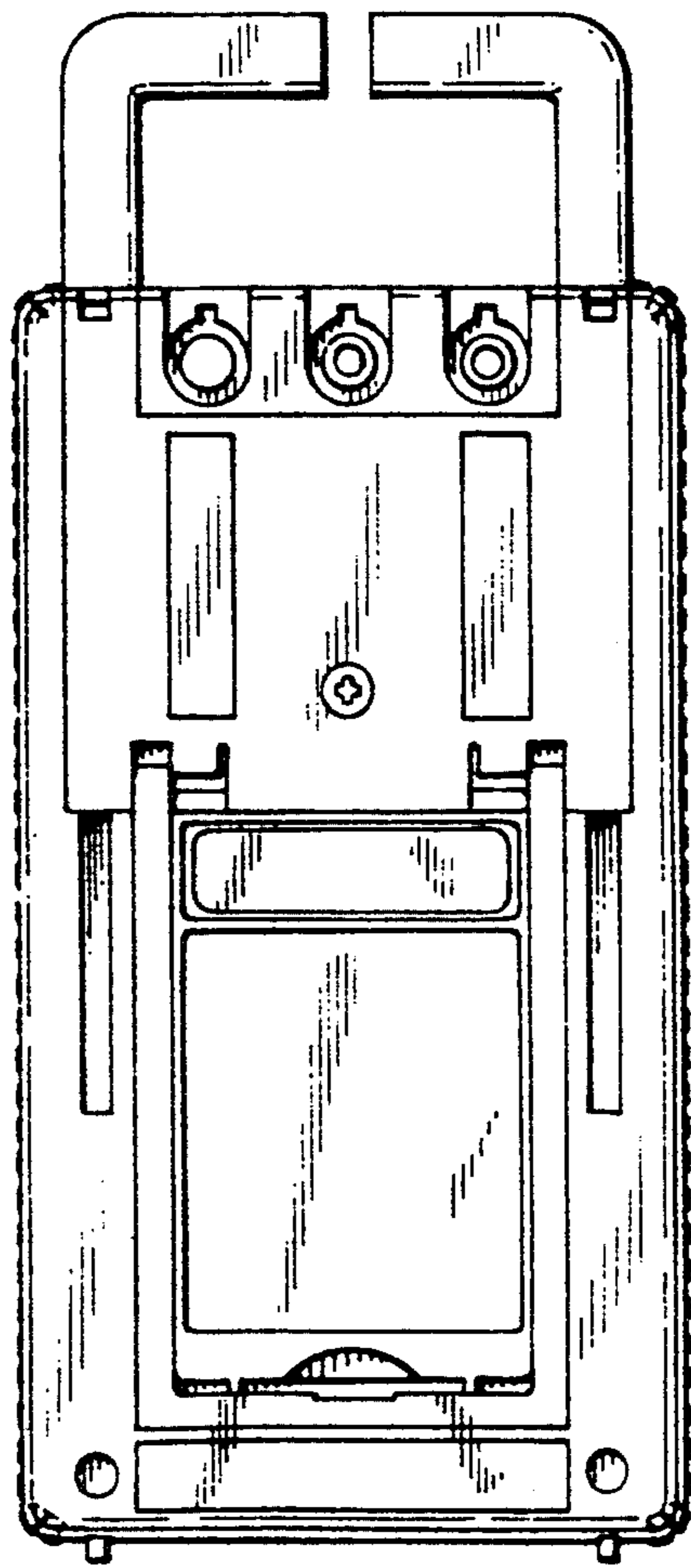


FIG. 2



FIG. 3

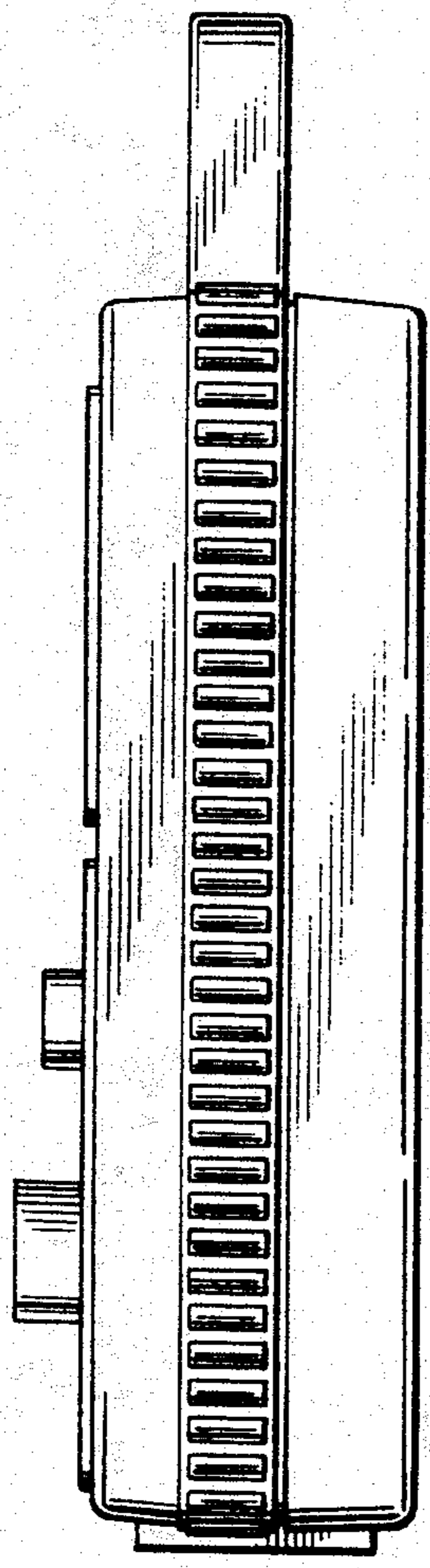
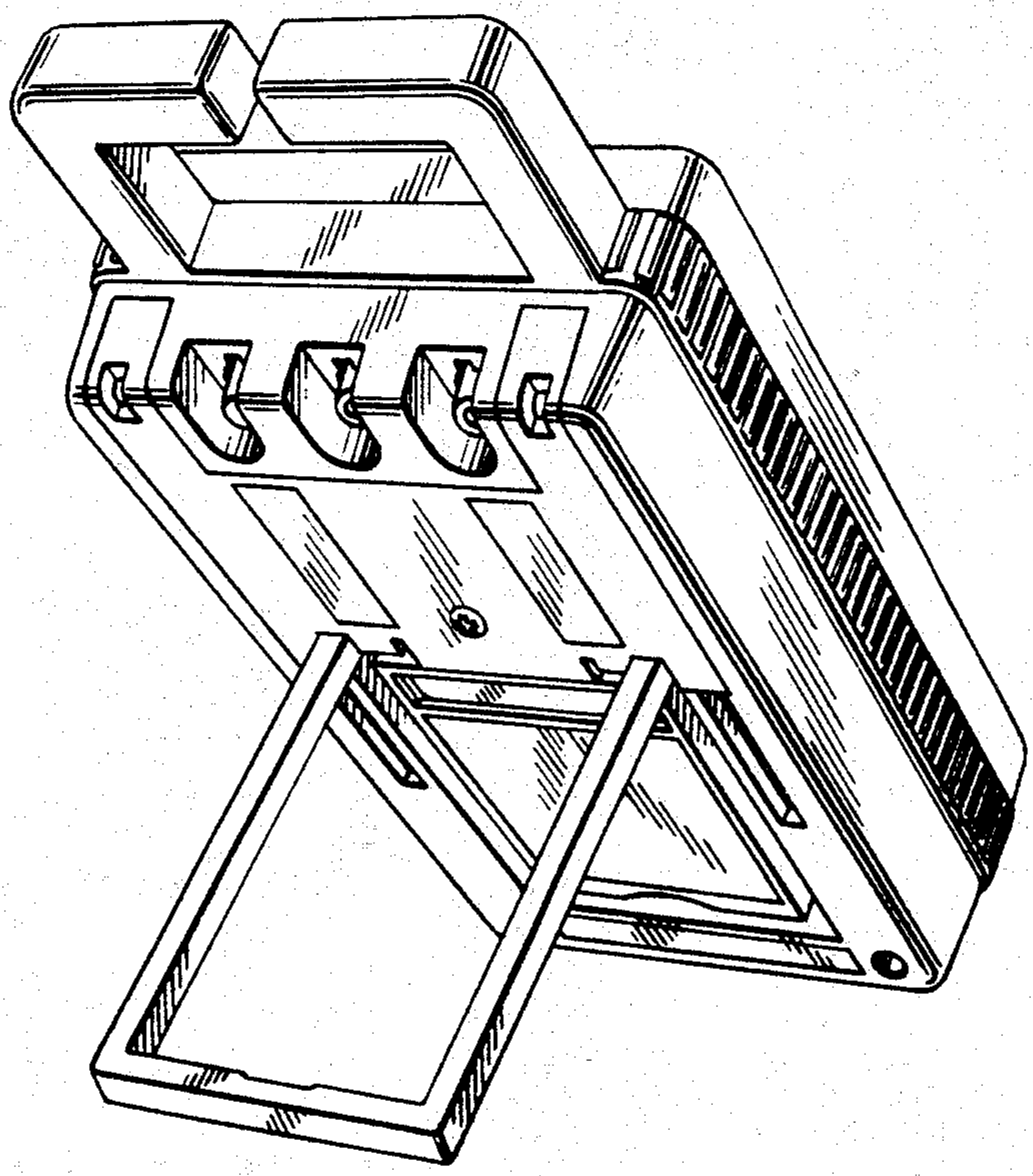


FIG. 4

FIG. 5

