

[54] TAPE MEASURE WITH BRAKE

[75] Inventor: Robert D. Lamson, Seattle, Wash.

[73] Assignee: Spencer Products, Inc., Seattle, Wash.

[**] Term: 14 Years

[21] Appl. No.: 532,573

[22] Filed: Sep. 14, 1983

[52] U.S. Cl. D10/72

[58] Field of Search D10/70, 71, 72; 33/137, 33/138; 242/107, 107.6, 84.6, 84.8

[56] References Cited

U.S. PATENT DOCUMENTS

D. 217,835	6/1970	Henkels	D10/72
D. 222,384	10/1971	Cousins	D10/72
D. 223,288	4/1972	Quenot	D10/72
884,904	4/1908	De Lashmutt	33/137 R
2,110,210	3/1938	Evans	D10/72 X
3,214,836	11/1965	West	33/138
3,216,117	11/1965	Stowell	242/84.8

OTHER PUBLICATIONS

Product Engineering Dec. 1949 p. 30 Tape bottom left on page.

Primary Examiner—Carmen H. Vales
Attorney, Agent, or Firm—Seed and Berry

[57] CLAIM

The ornamental design for a tape measure with brake, substantially as shown and described.

DESCRIPTION

FIG. 1 is a front perspective view of a tape measure with brake showing my new design; FIG. 2 is a rear elevational view thereof; FIG. 3 is a left side elevational view of FIG. 2; FIG. 4 is a right side elevational view thereof; FIG. 5 is a top plan view thereof; FIG. 6 is a bottom plan view thereof; and FIG. 7 is a perspective view of another embodiment of the tape measure with brake shown in FIG. 1; the other sides not shown are identical to those disclosed in FIGS. 2-6.

The broken line showing the protruding end of the tape and a connecting clip is for illustrative purposes only.

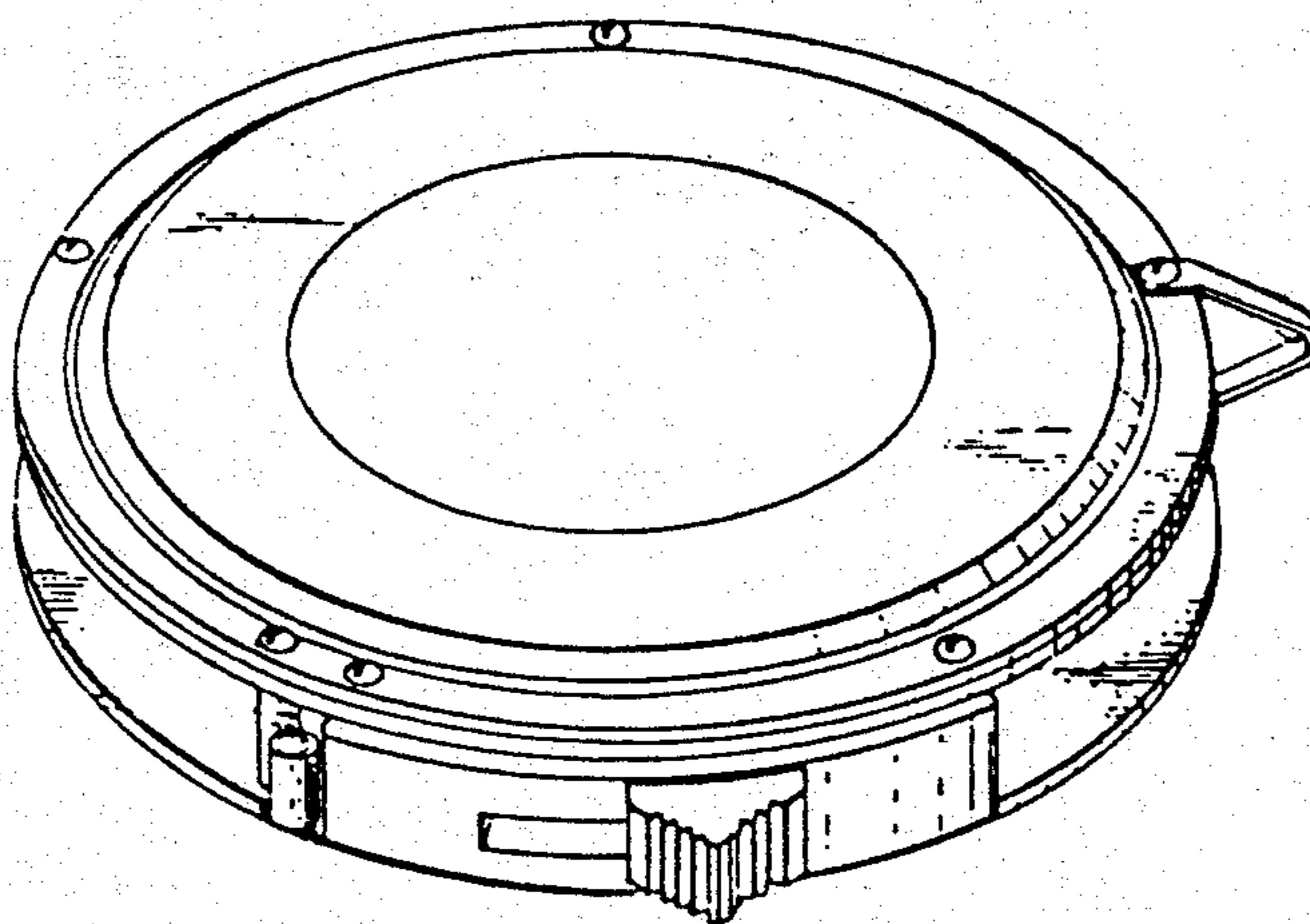
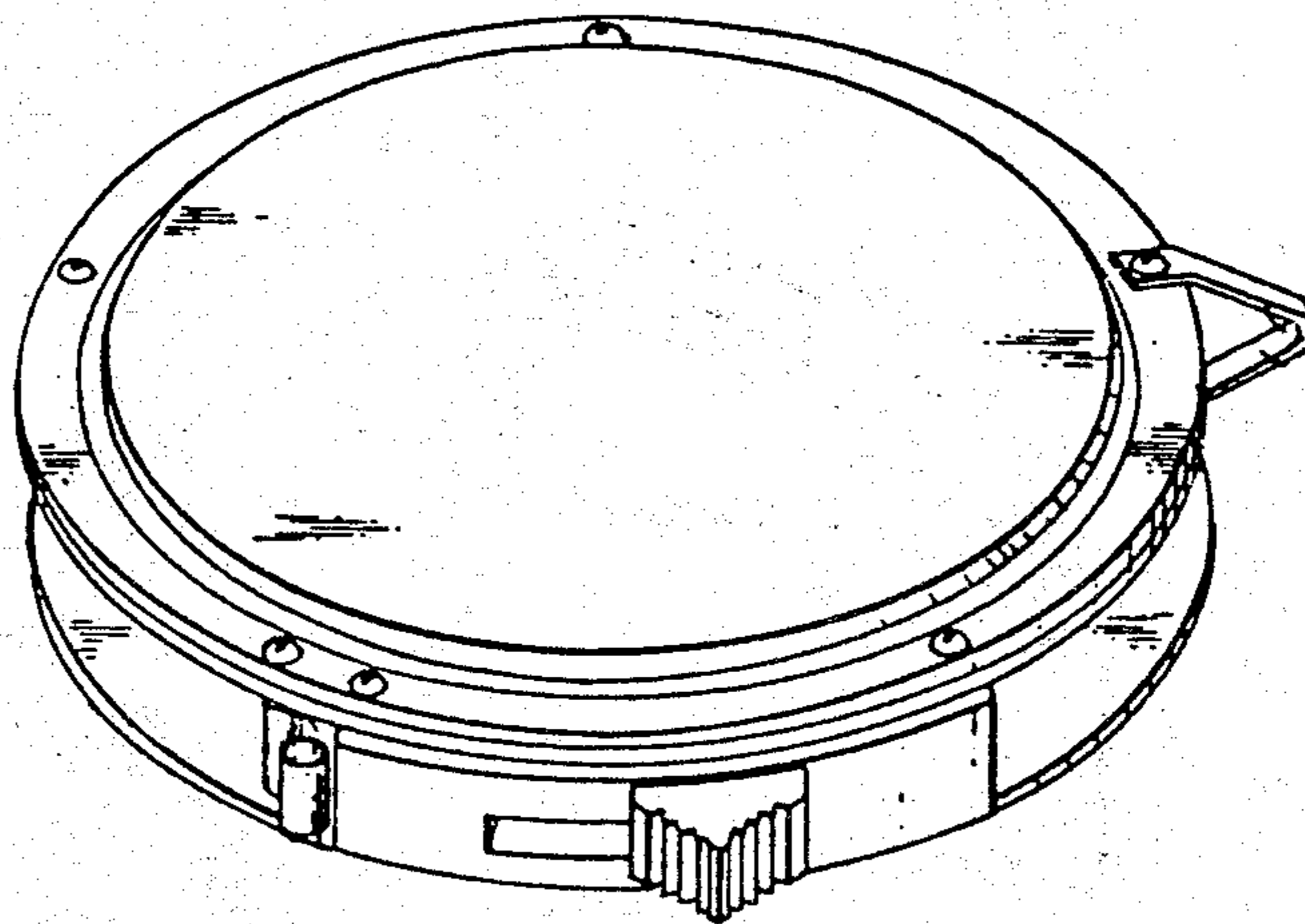


FIG. 1

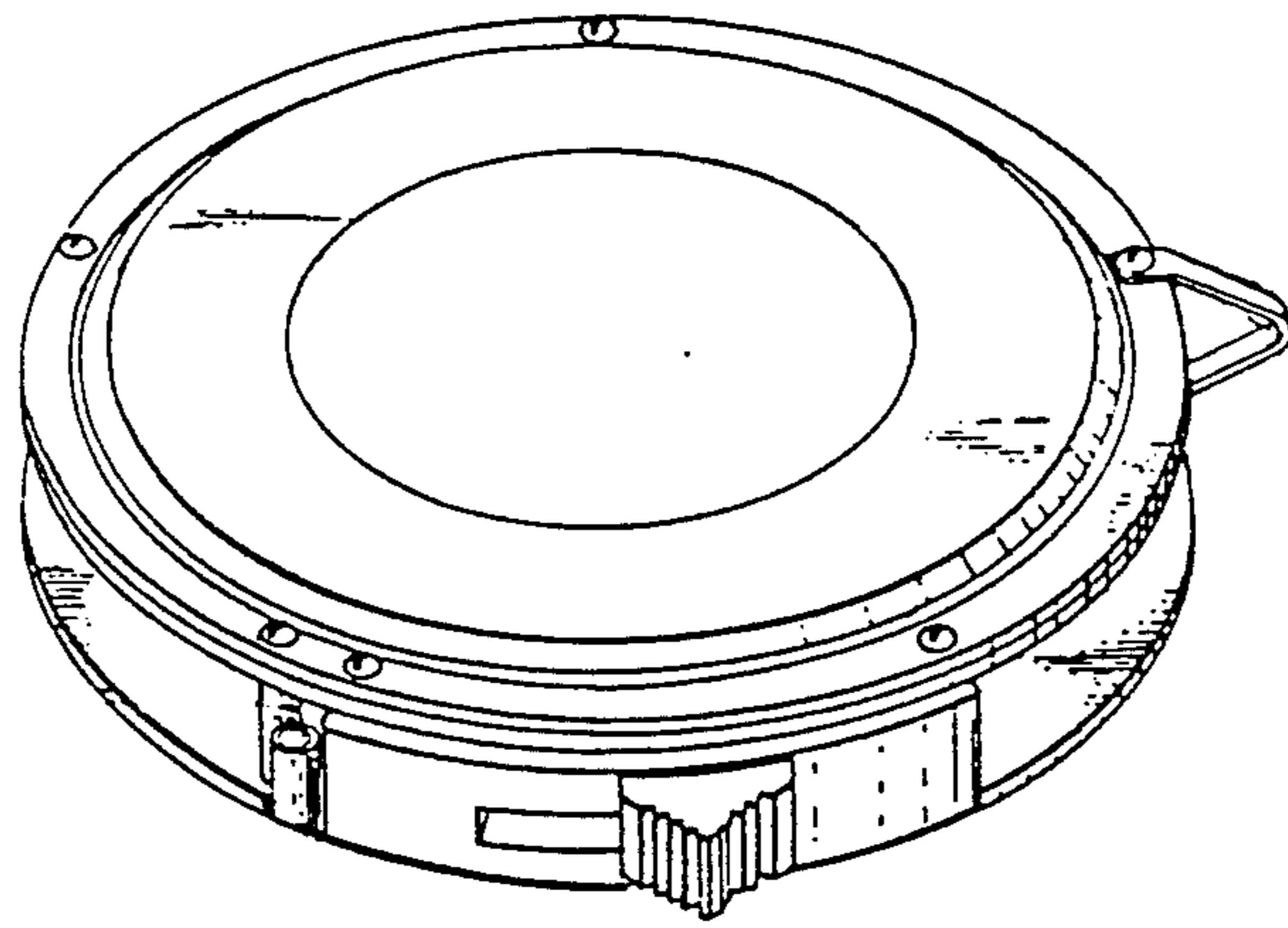


FIG. 2

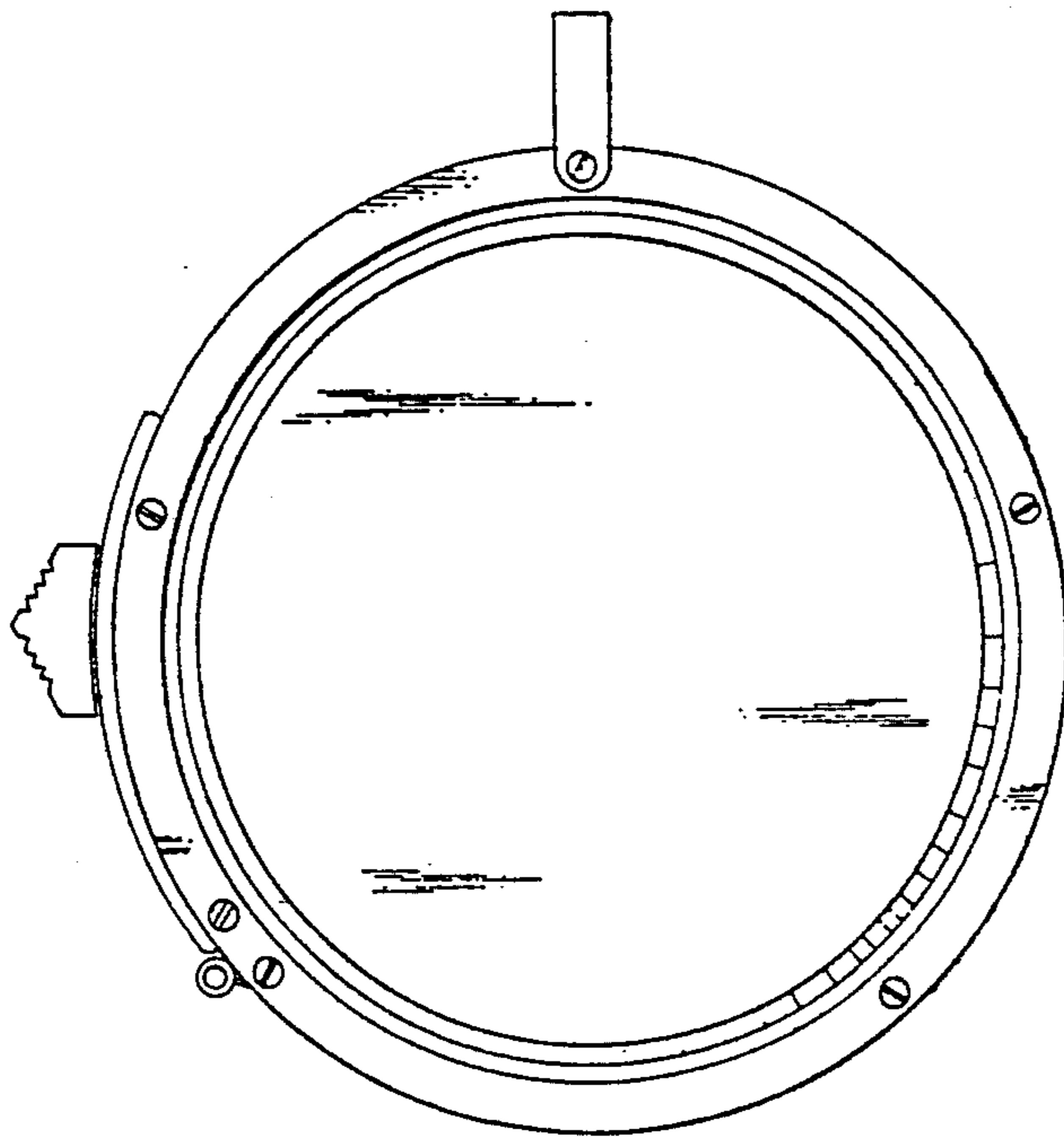




FIG. 3

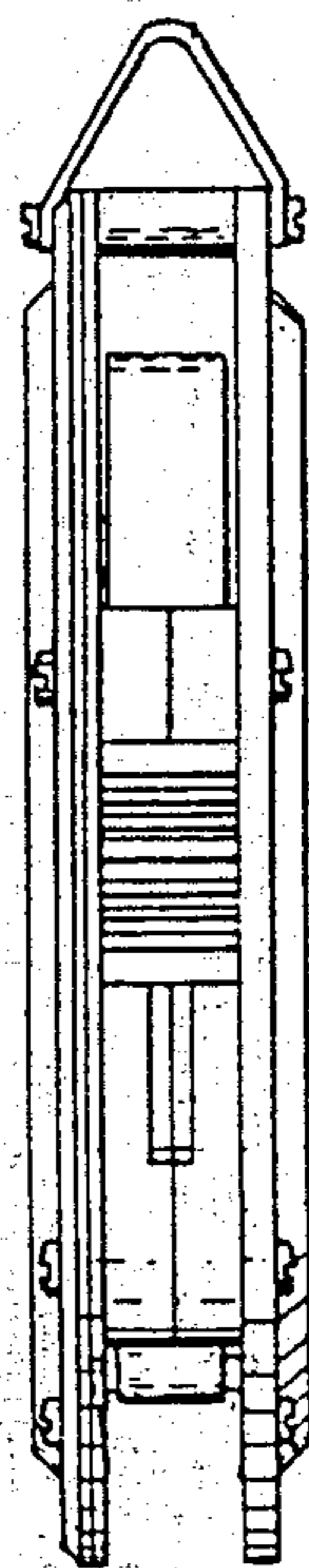


FIG. 4

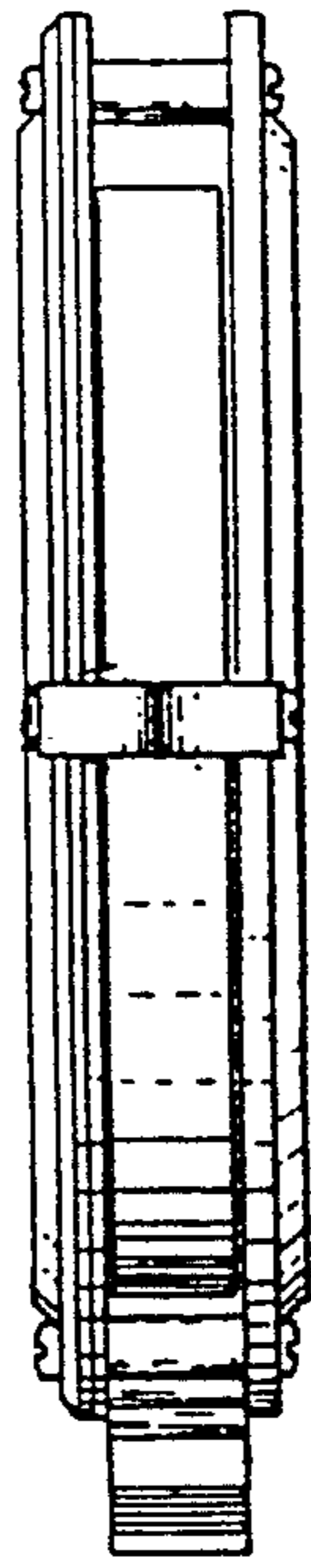


FIG. 5



FIG. 6

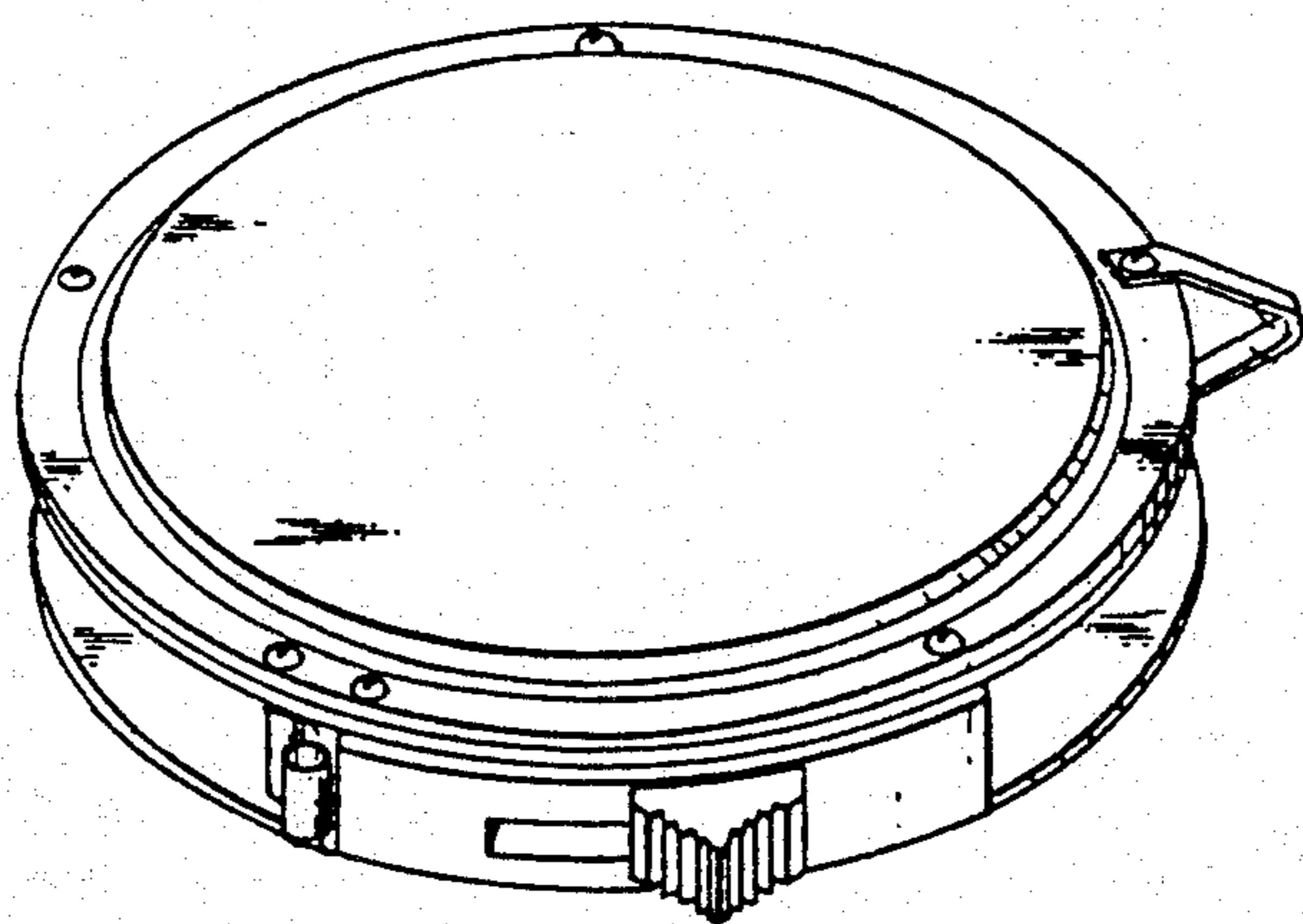


FIG. 7