

[54] COMBINED PACKAGING CONTAINER AND LID

[75] Inventor: Frank S. Tyler, Kent, England

[73] Assignee: Lever Brothers Company, New York, N.Y.

[\*\*] Term: 14 Years

[21] Appl. No.: 572,488

[22] Filed: Jan. 20, 1984

[30] Foreign Application Priority Data

Jul. 27, 1983 [GB] United Kingdom ..... 1014338

[52] U.S. Cl. .... D9/425; D9/431; D9/432; D9/435; D9/443

[58] Field of Search ..... 206/506; D7/76, 16; D9/435, 424, 425, 428, 443, 431; D34/40; 229/2.5 R, 1.5 R

[56] References Cited

U.S. PATENT DOCUMENTS

- D. 215,413 9/1969 Donovan ..... D9/425
- D. 276,216 11/1984 Michaud ..... D9/425
- 2,695,645 11/1954 Tupper ..... D7/16 X
- 3,424,342 1/1969 Scopp et al. .... D9/428 X

OTHER PUBLICATIONS

Gift and Decorative Accessories, Nov. 1975, p. 39, Stacked Bowls at top left.

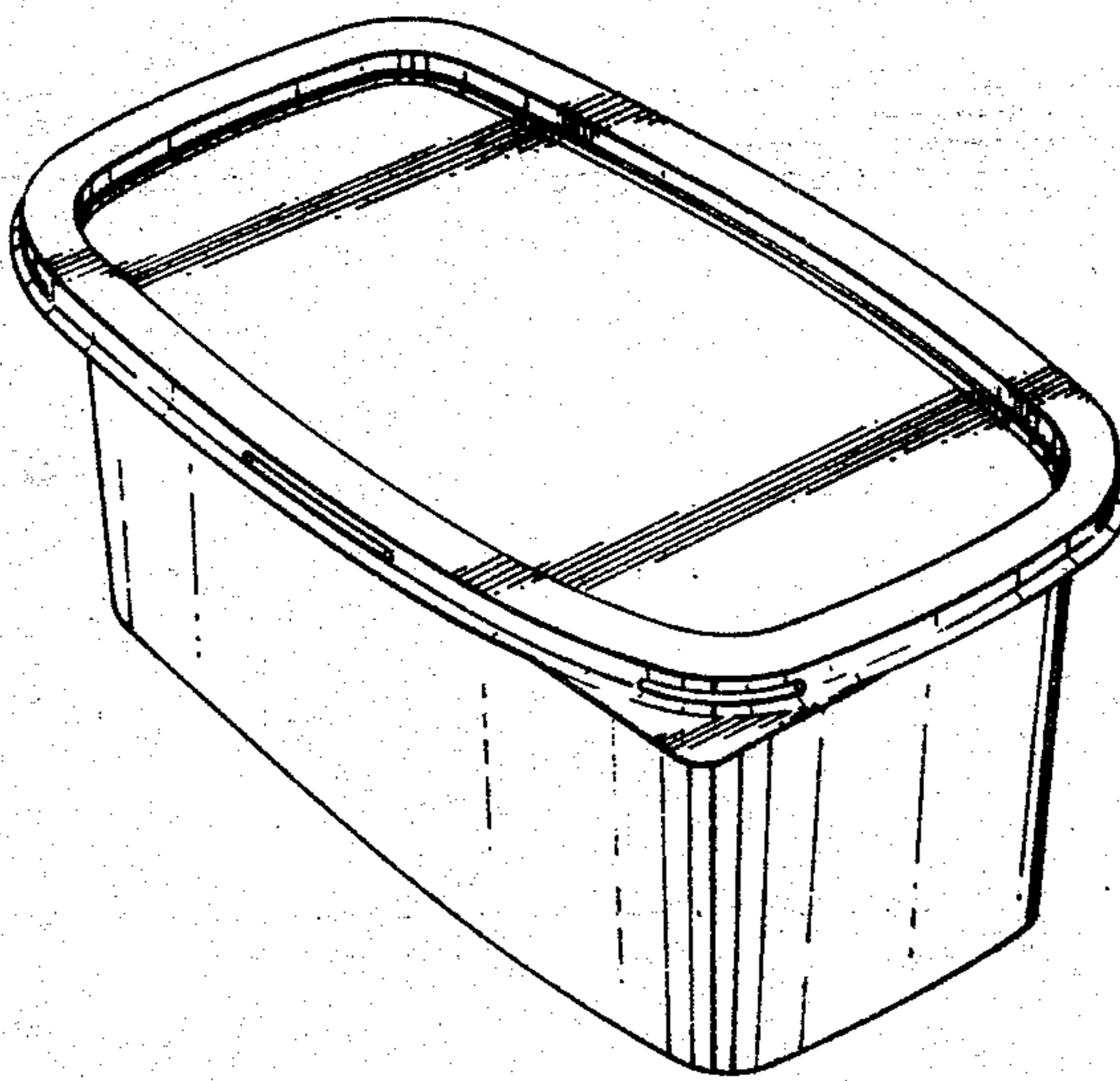
Primary Examiner—Robert C. Spangler  
Attorney, Agent, or Firm—James J. Farrell

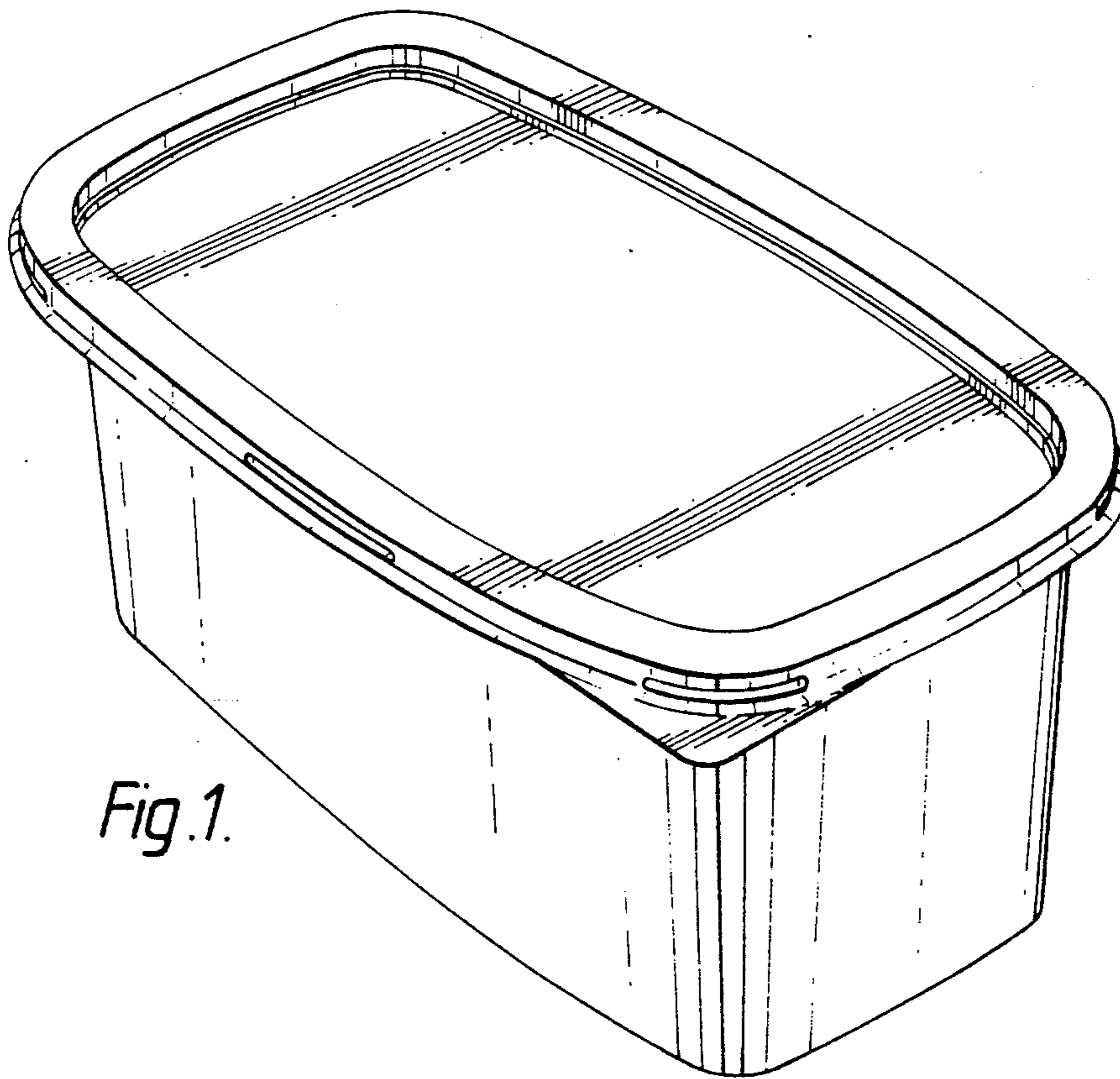
[57] CLAIM

The ornamental design for a combined packaging container and lid, substantially as shown and described.

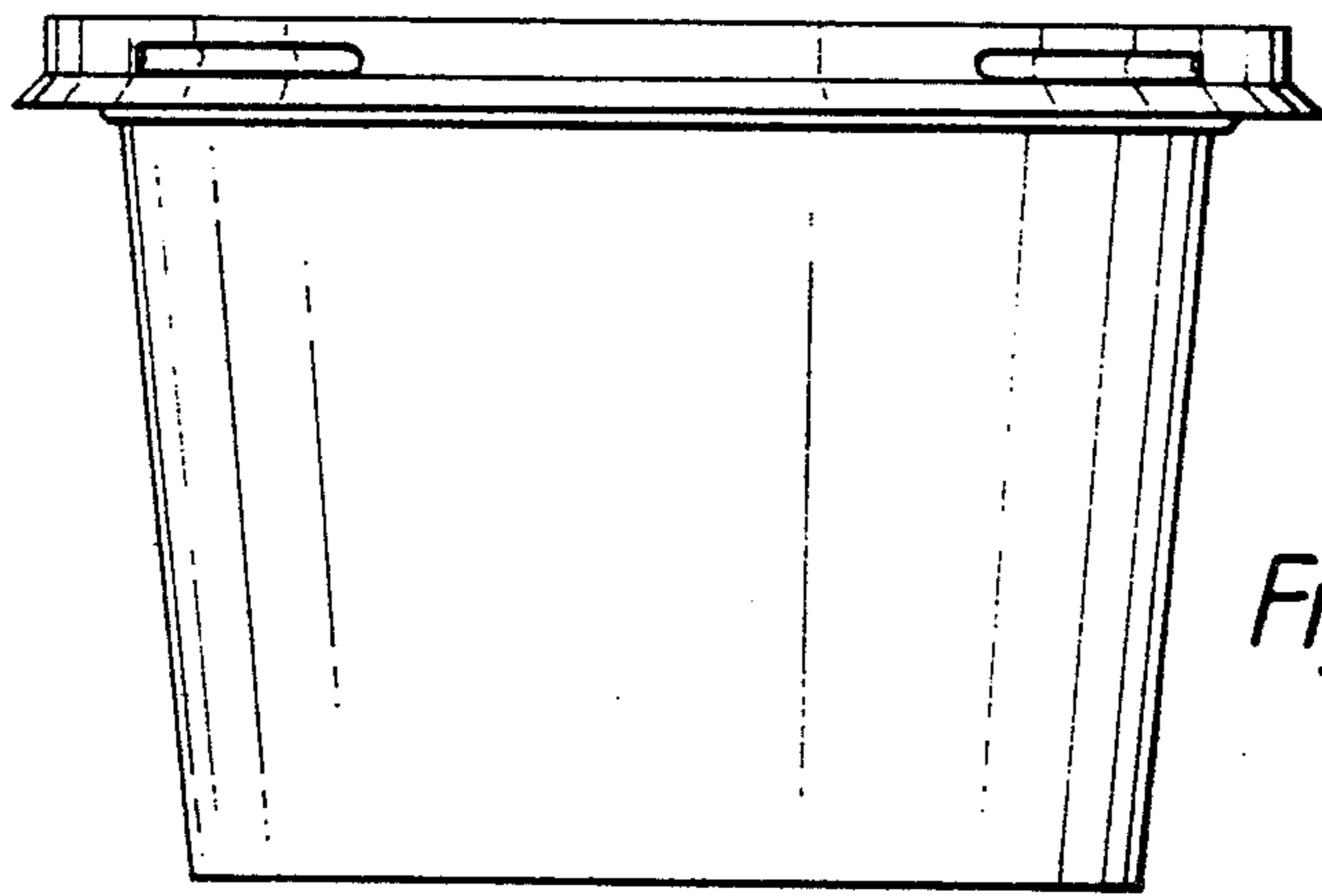
DESCRIPTION

FIG. 1 is a top perspective view of a combined packaging container and lid showing my new design; FIG. 2 is an end elevational view; FIG. 3 is a side elevational view; and FIG. 4 is a bottom plan view thereof.

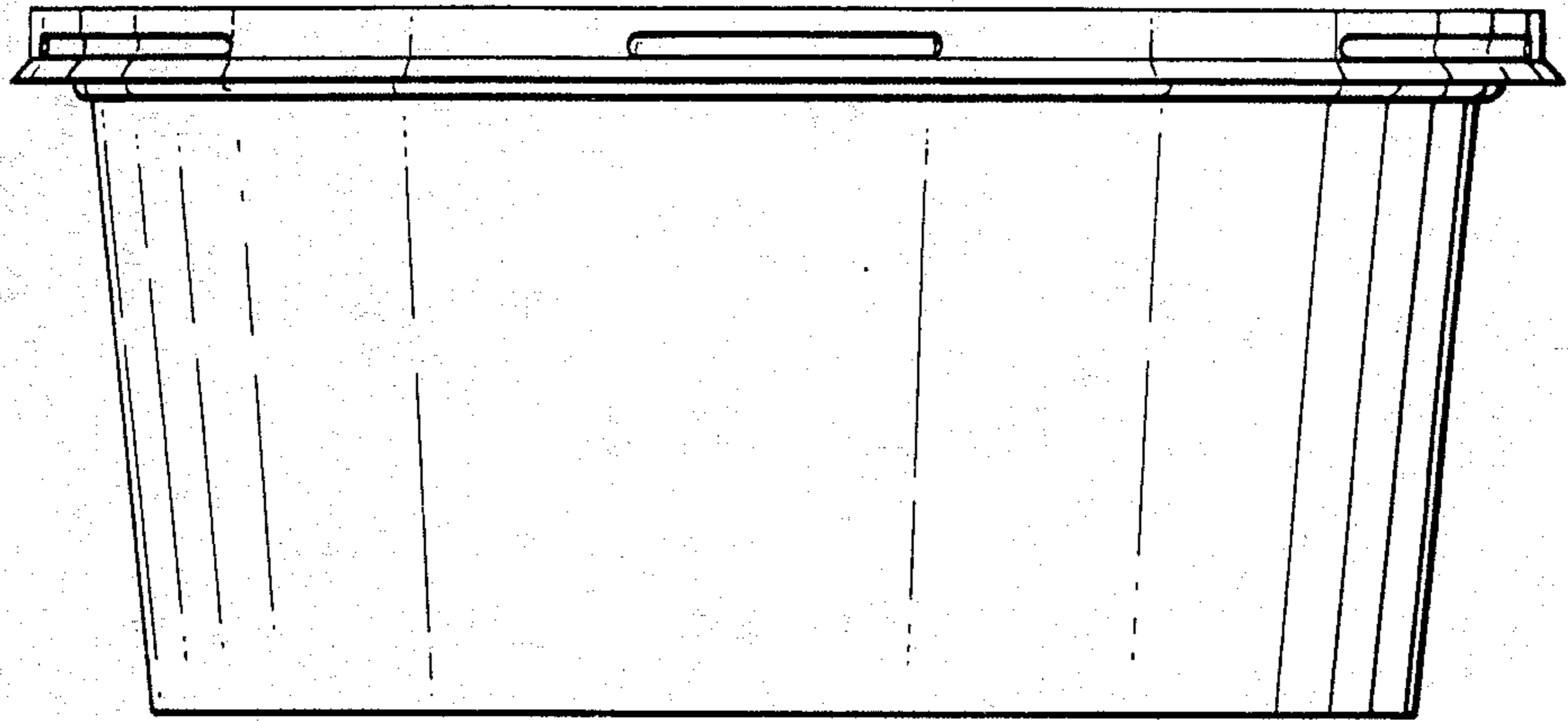




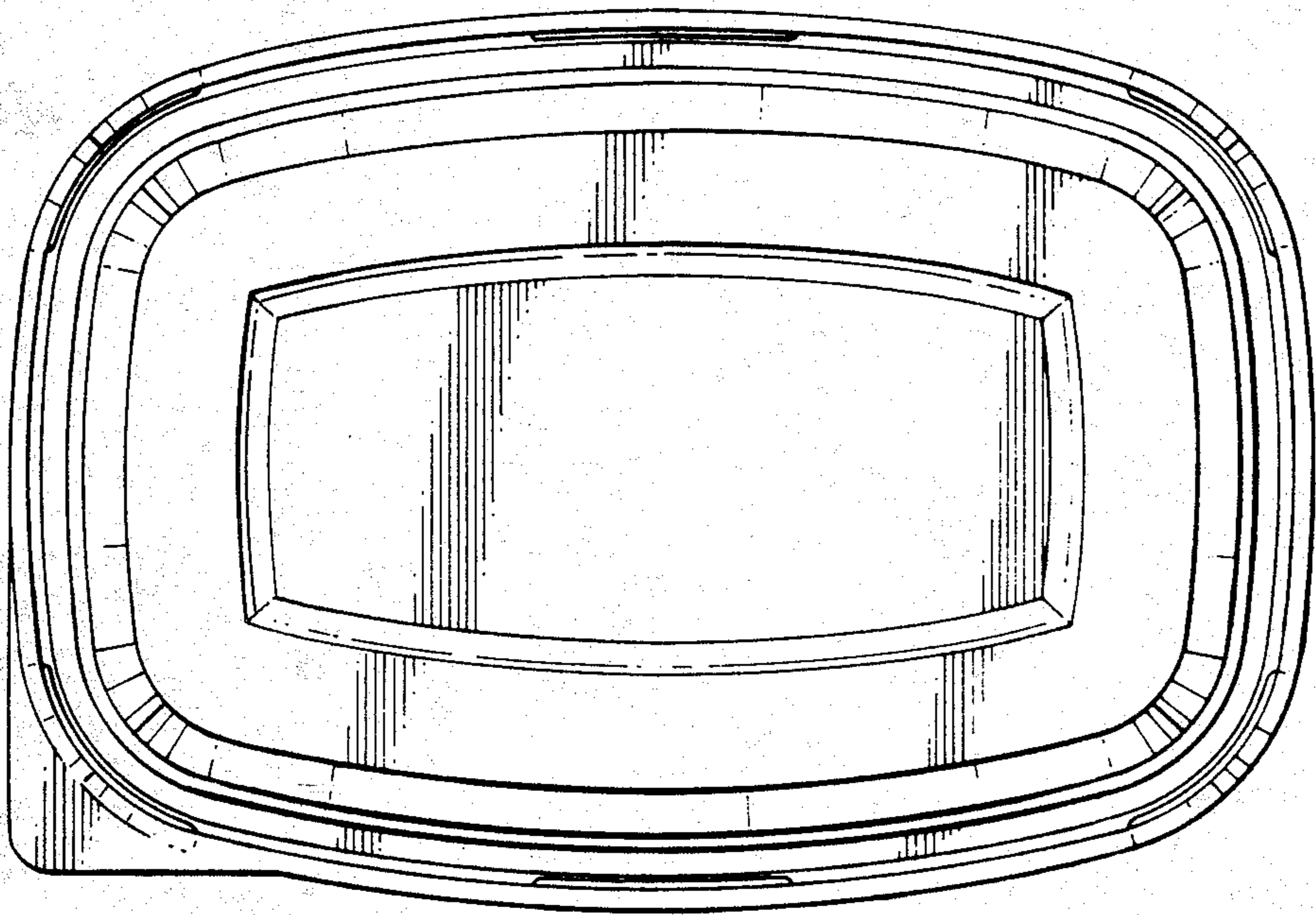
*Fig. 1.*



*Fig. 2.*



*Fig. 3.*



*Fig. 4.*