

[54] **PACKAGING CONTAINER**

[75] Inventor: **William J. Segal**, Torrance, Calif.

[73] Assignee: **Mr. Gasket Company**, Cleveland, Ohio

[\*\*] Term: **14 Years**

[21] Appl. No.: **516,474**

[22] Filed: **Jul. 22, 1983**

[52] U.S. Cl. .... **D9/415**

[58] Field of Search ..... 206/44 R, 45.14, 45.24,  
206/45.31, 303, 461, 463; D9/415, 418, 337,  
387, 444; D3/35

[56] **References Cited**

**U.S. PATENT DOCUMENTS**

3,382,970 5/1968 Sellors ..... D9/415 X  
3,519,128 7/1970 Swanberg ..... 206/45.31

3,685,649 8/1972 Diehl ..... 206/45.31

**FOREIGN PATENT DOCUMENTS**

938753 10/1963 United Kingdom .

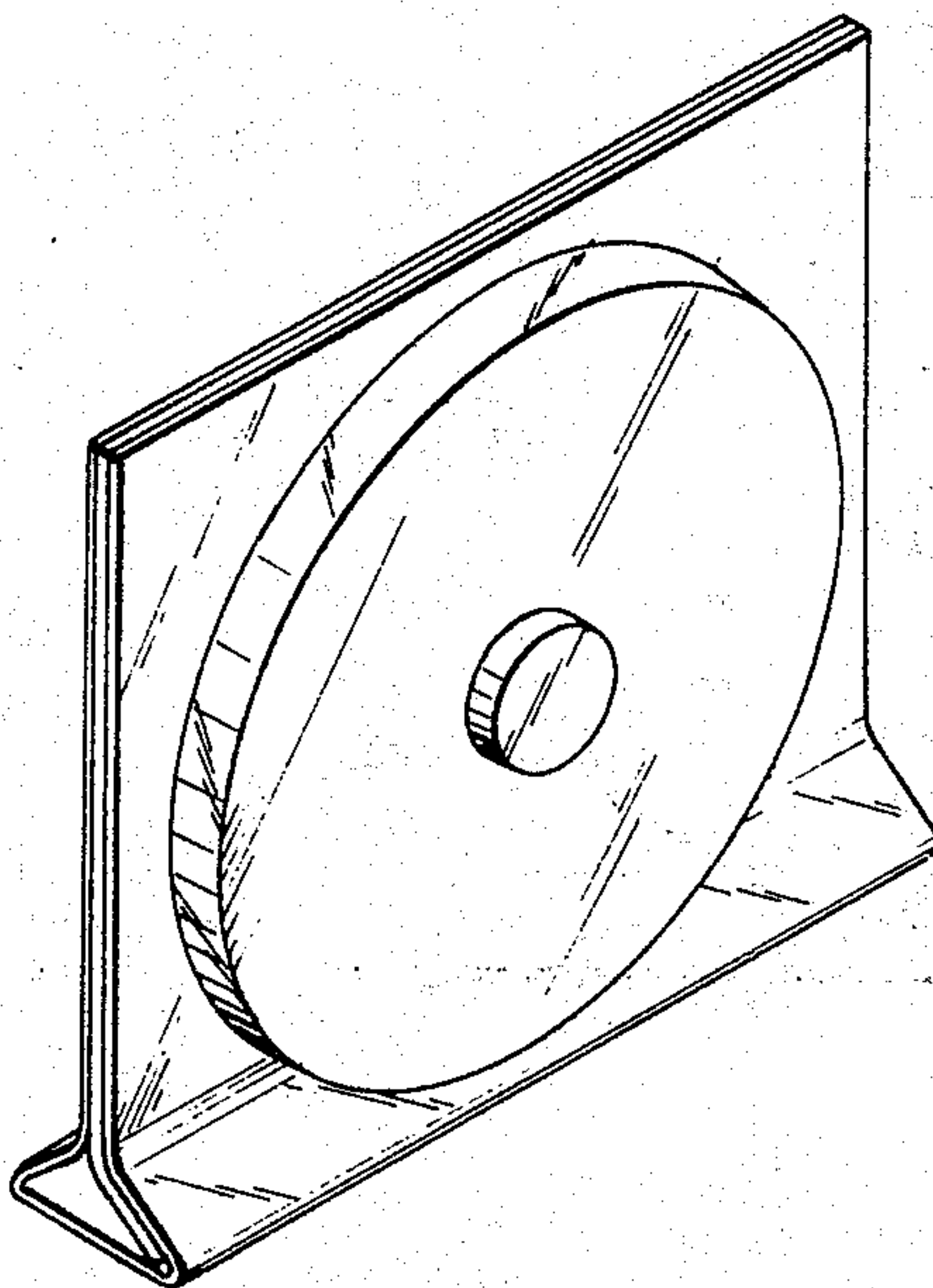
*Primary Examiner*—Robert C. Spangler  
*Attorney, Agent, or Firm*—Roylance, Abrams, Berdo & Goodman

[57] **CLAIM**

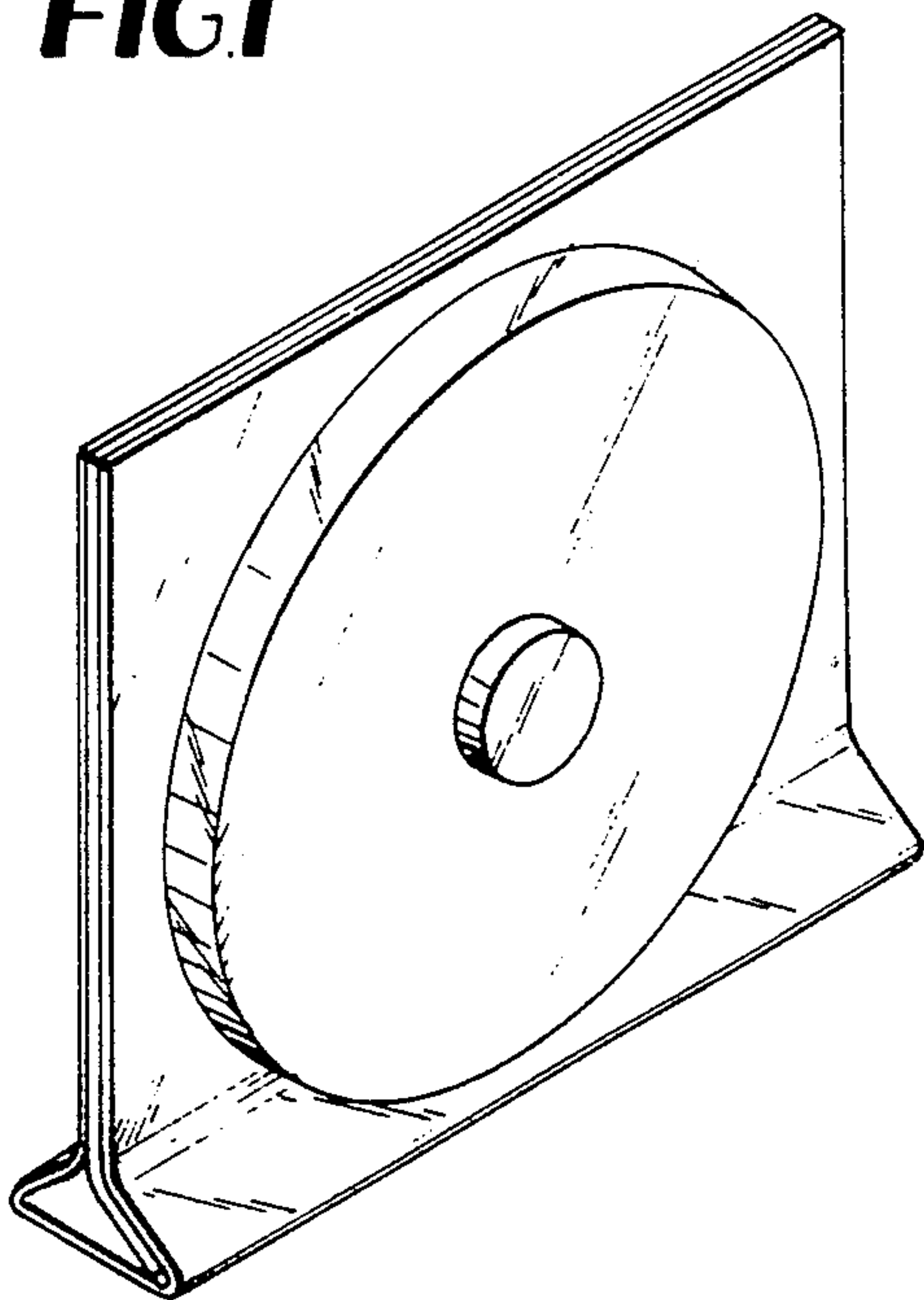
The ornamental design for a packaging container, substantially as shown and described.

**DESCRIPTION**

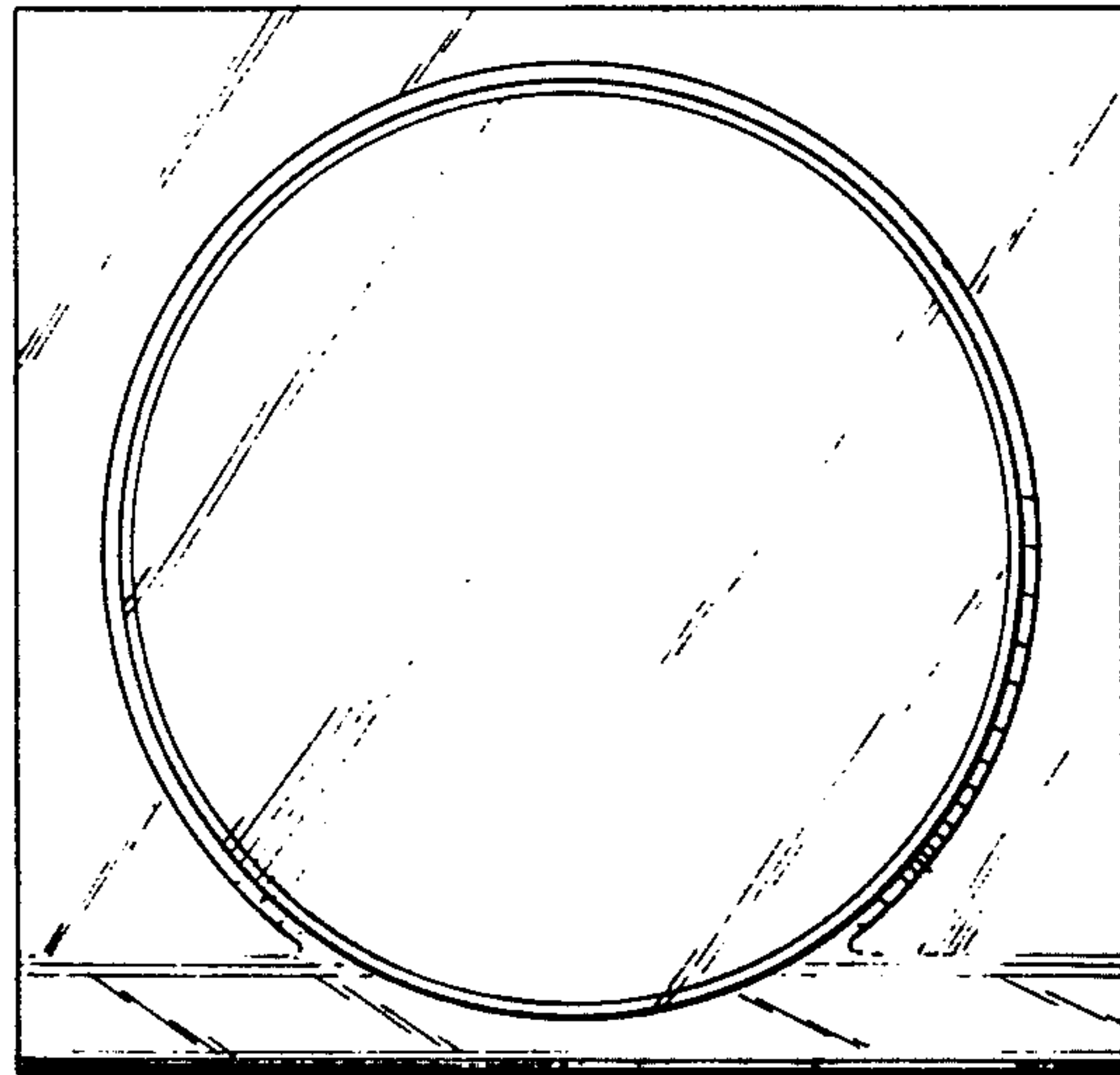
FIG. 1 is a front perspective view of a packaging container, showing my new design;  
FIG. 2 is a rear elevational view on an enlarged scale;  
FIG. 3 is a front elevational view thereof;  
FIG. 4 is a view looking from the left of FIG. 3;  
FIG. 5 is a top plan view thereof; and  
FIG. 6 is a bottom plan view thereof.



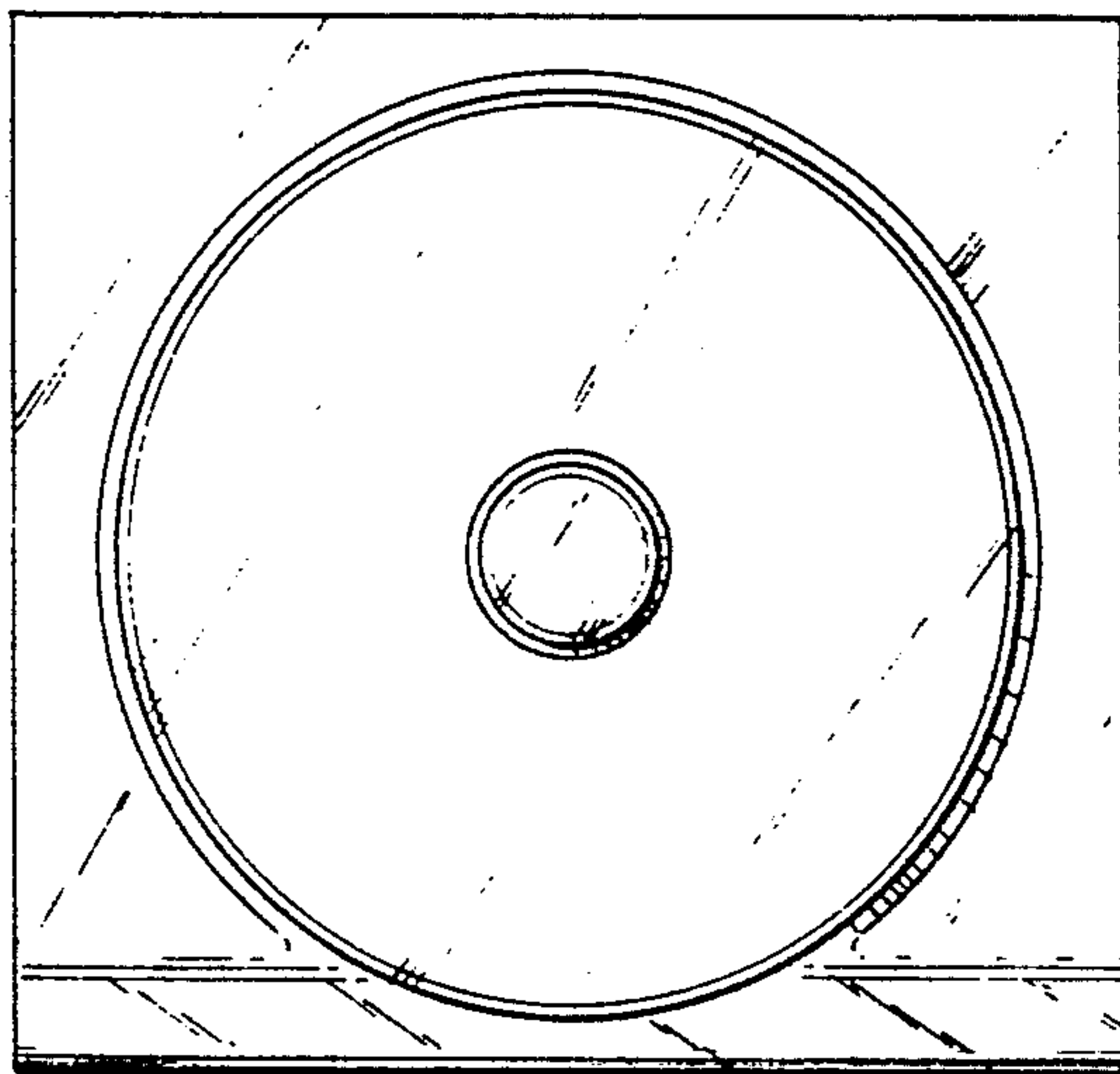
**FIG. 1**



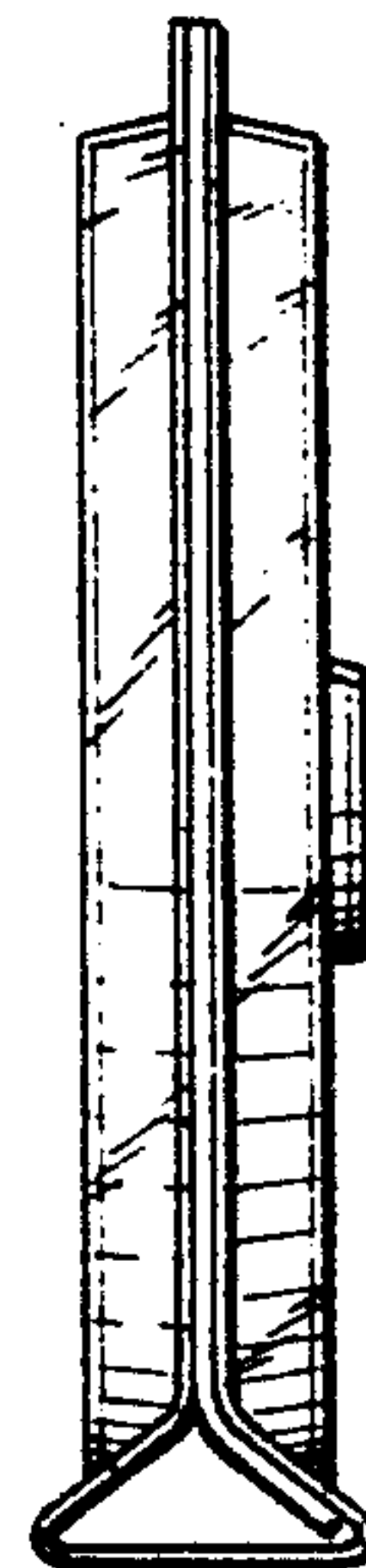
**FIG. 2**



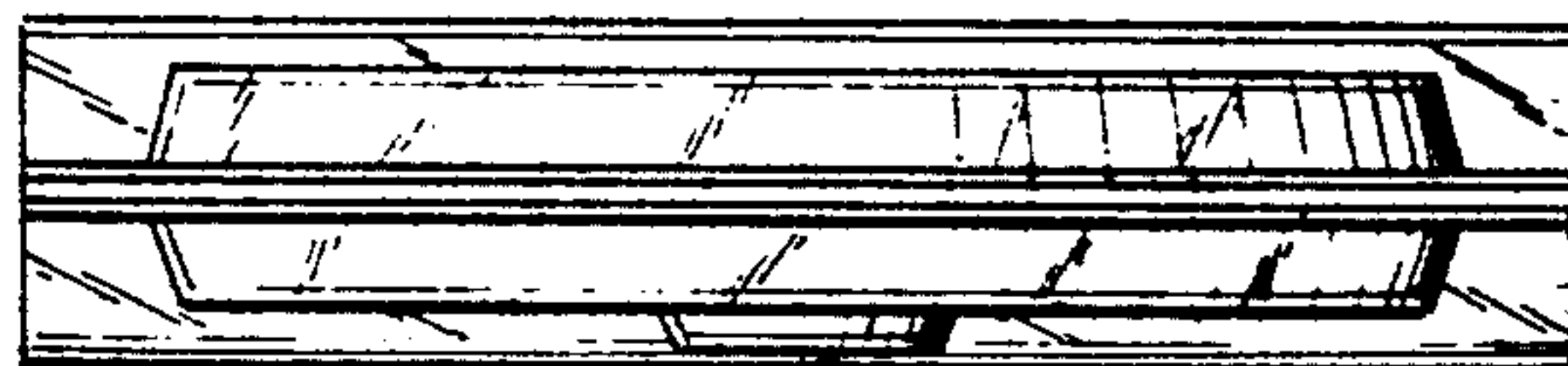
**FIG. 3**



**FIG. 4**



**FIG. 5**



**FIG. 6**

