

[54] COMBINATION REEL AND HOSE UNIT

[76] Inventor: Jack Gustavsson, Sagmogatan 21, S-641 34 Katrineholm, Sweden

[\*\*] Term: 14 Years

[21] Appl. No.: 649,694

[22] Filed: Sep. 12, 1984

[52] U.S. Cl. .... D8/358; D8/359

[58] Field of Search ..... D8/358, 359; D34/26, D34/24; 242/86.2, 96, 85

[56] References Cited

U.S. PATENT DOCUMENTS

D. 147,372	8/1947	Marsh	.....	D34/26
D. 152,217	12/1948	Rehm	.....	D34/24
D. 164,232	8/1951	Germain	.....	D34/24
D. 164,546	9/1951	Becker	.....	D8/358
D. 200,791	4/1965	Smith	.....	D8/358
D. 242,537	11/1976	Marcell	.....	D34/24
571,701	11/1896	Smith	.....	242/86.2
2,573,868	11/1951	Newell	.....	242/86.2
4,186,881	2/1980	Long	.....	242/86.2
4,204,651	5/1980	Haverland	.....	242/96
4,368,858	1/1983	Solomon	.....	242/96

FOREIGN PATENT DOCUMENTS

133490	7/1949	Australia	.....	242/86.2
918237	9/1954	Fed. Rep. of Germany	.....	242/86.2
1073791	1/1960	Fed. Rep. of Germany	.....	242/86.2
254217	4/1948	Switzerland	.....	242/96
895715	5/1962	United Kingdom	.....	242/85
966726	8/1964	United Kingdom	.....	242/85

OTHER PUBLICATIONS

Hardware Age, Aug. 1973; at p. 142 showing of Hines Hose Reel, Models 23-804, 808; 23815.

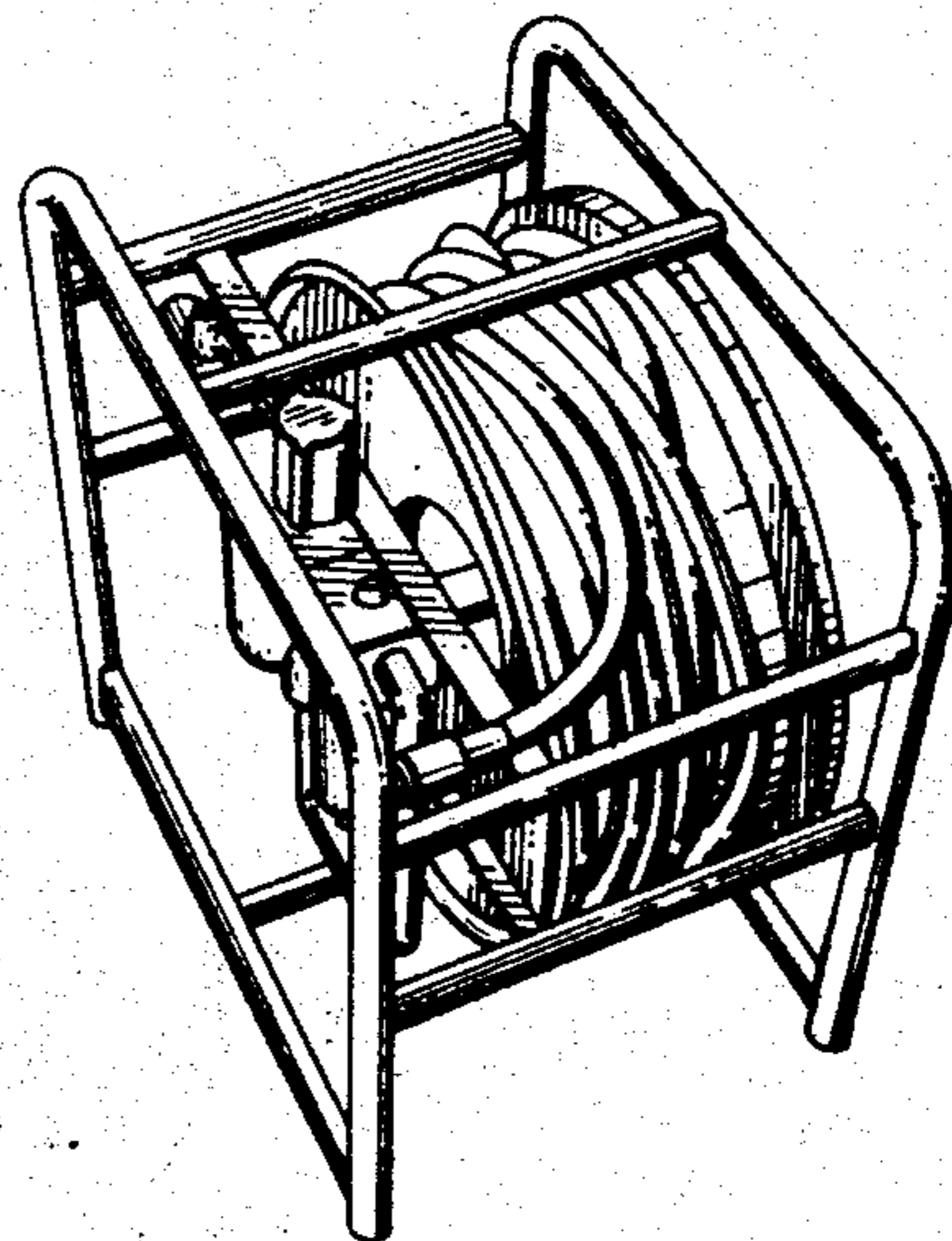
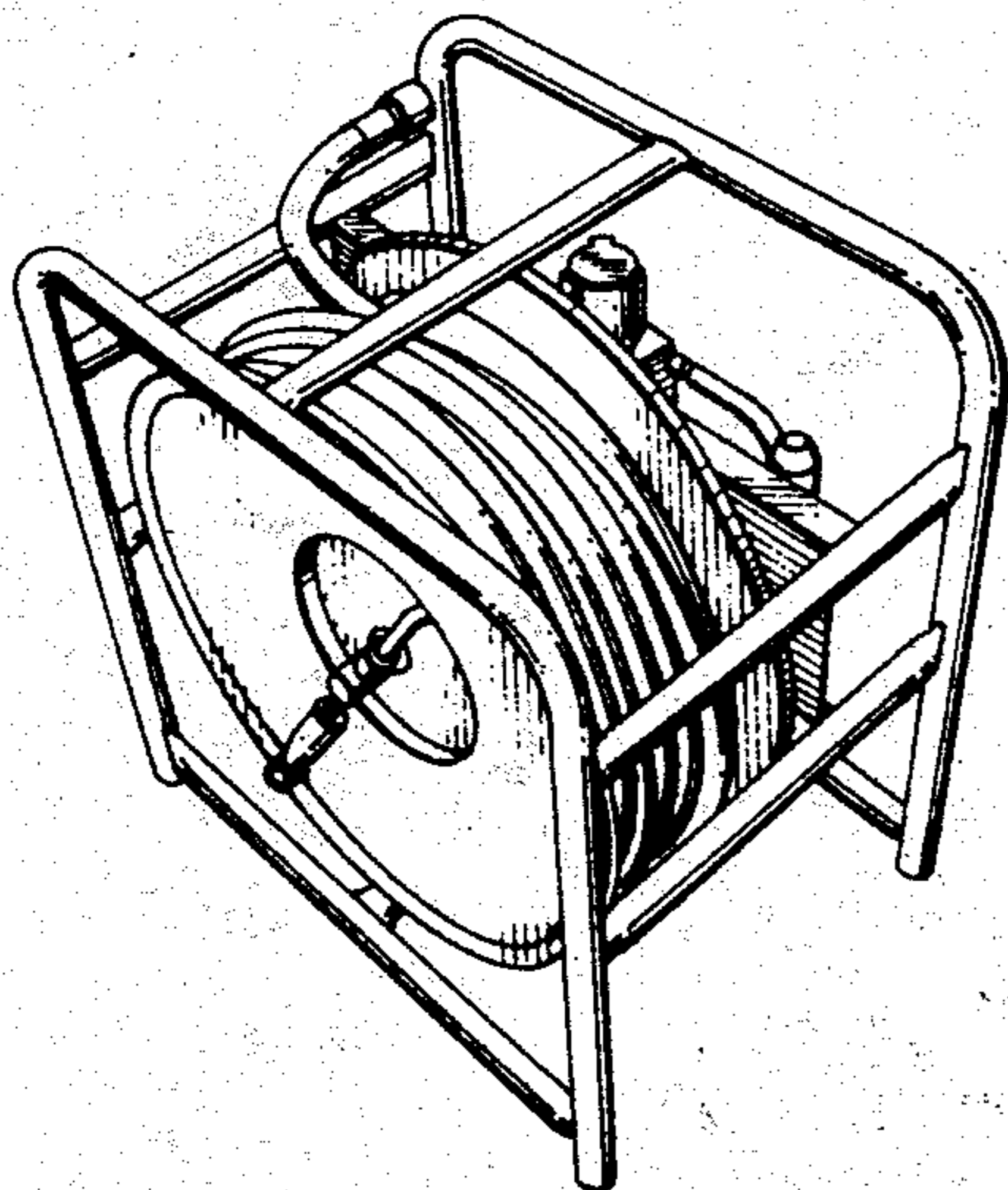
Primary Examiner—Wallace R. Burke  
Assistant Examiner—Horace B. Fay  
Attorney, Agent, or Firm—James E. Nilles

[57] CLAIM

The ornamental design for combination reel and hose unit, as shown and described.

DESCRIPTION

FIG. 1 is a front and top perspective view of a combination reel and hose unit showing my new design; FIG. 2 is a front, top and right side perspective view thereof; and FIG. 3 is a left side, top and rear perspective view thereof.



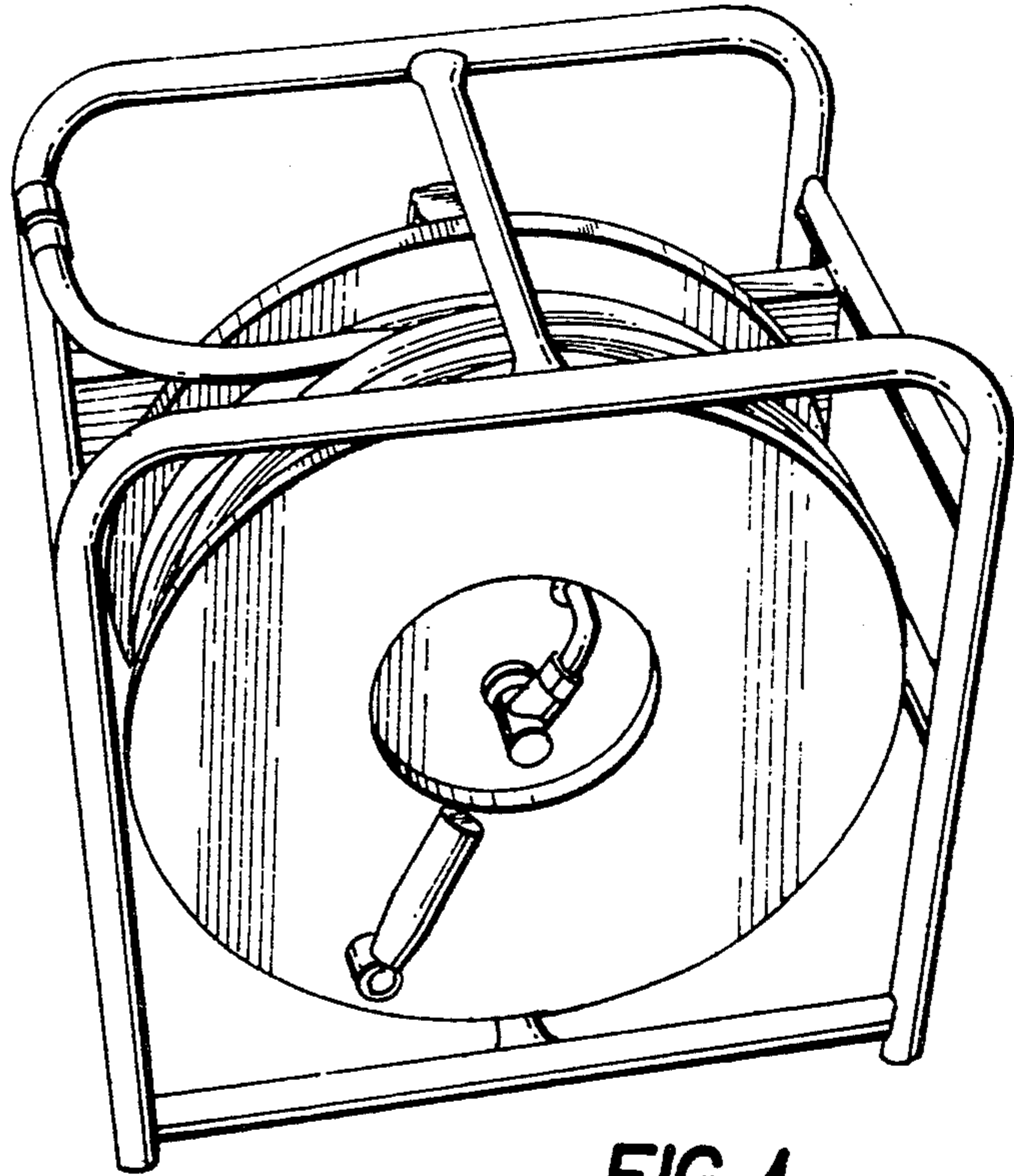


FIG. 1

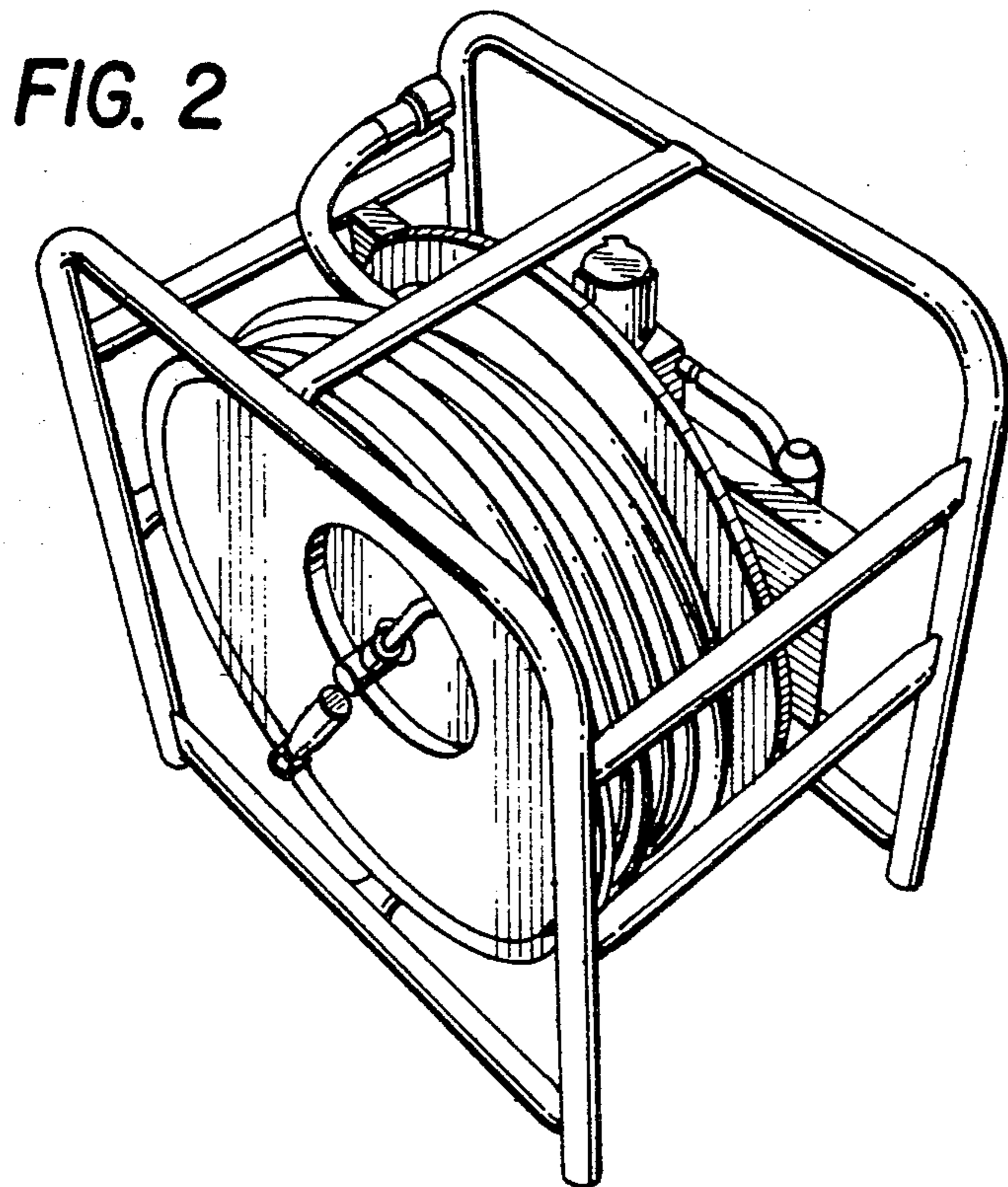


FIG. 2

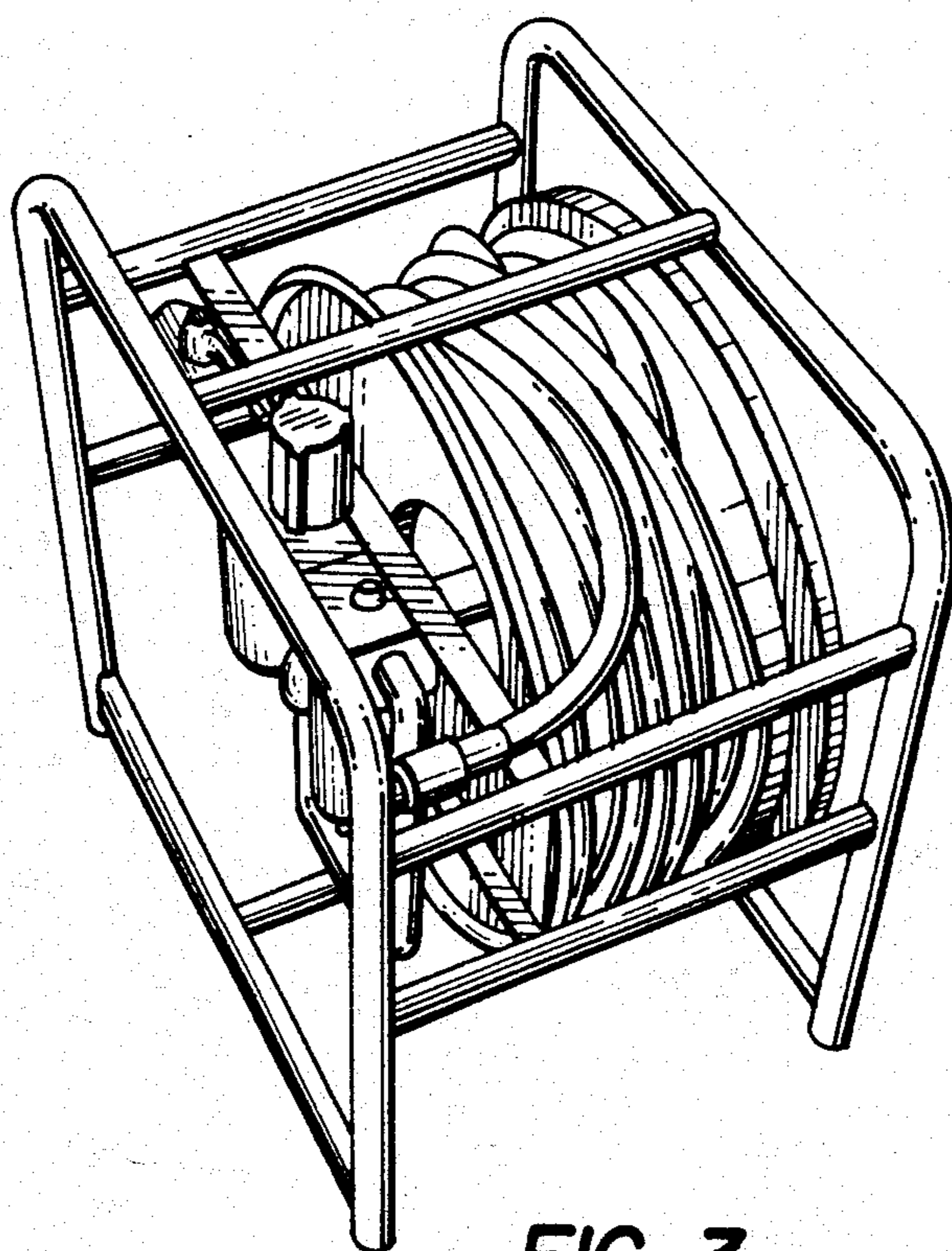


FIG. 3