

[54] **TEMPLER FOR FILING A SAW CHAIN**

[75] Inventors: **Jan L. Bohman, Säter; Gunnar S. Milling, Falun, both of Sweden**

[73] Assignee: **Nordfor Teknik Aktiebolag, Vikmanshyttan, Sweden**

[\*\*] Term: **14 Years**

[21] Appl. No.: **558,481**

[22] Filed: **Dec. 6, 1983**

[30] **Foreign Application Priority Data**

Jun. 8, 1983 [SE]	Sweden	83-1578
[52] U.S. Cl.		<b>D8/90</b>
[58] Field of Search	D8/90, 91, 71; 76/25A,	76/36

[56] **References Cited**

**U.S. PATENT DOCUMENTS**

3,438,286	4/1969	Silvon	76/25 A
3,670,600	6/1972	Arff	76/25 A X
3,905,118	9/1975	Ballew	76/25 A X
4,019,407	4/1977	Penberthy	76/25 A X
4,412,463	11/1983	Beerens	76/36

*Primary Examiner*—Susan J. Lucas  
*Assistant Examiner*—C. E. Heflin

[57] **CLAIM**

The ornamental design for a templet for filing a saw chain, as shown and described.

**DESCRIPTION**

FIG. 1 is a top perspective view of a templet for filing a saw chain showing our new design; FIG. 2 is a side elevational view thereof, the opposite side being a mirror image; FIG. 3 is a top plan view thereof; FIG. 4 is a front elevational view thereof; FIG. 5 is a bottom perspective view thereof; and FIG. 6 is a bottom plan view thereof.

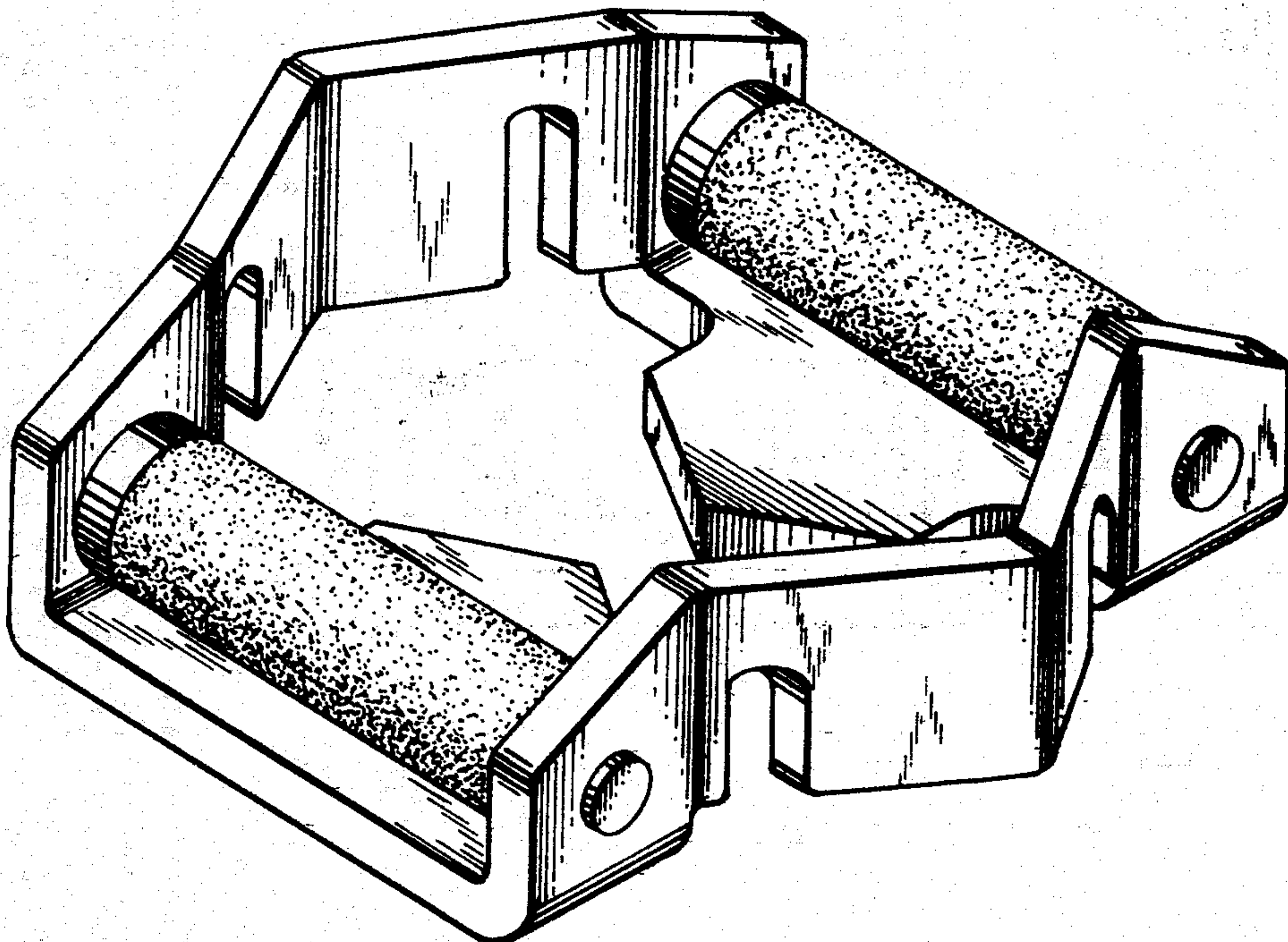


FIG. 1

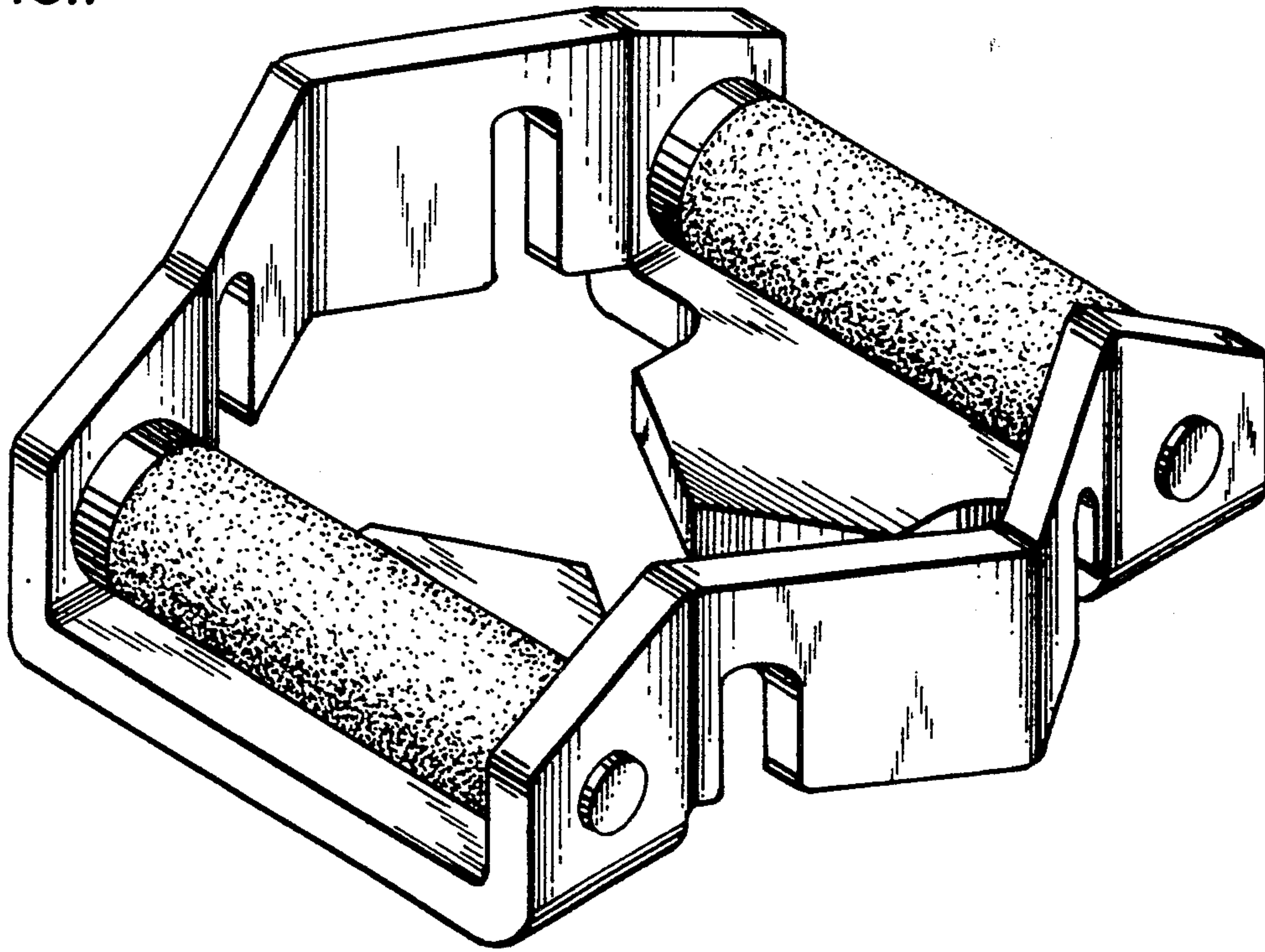


FIG. 2

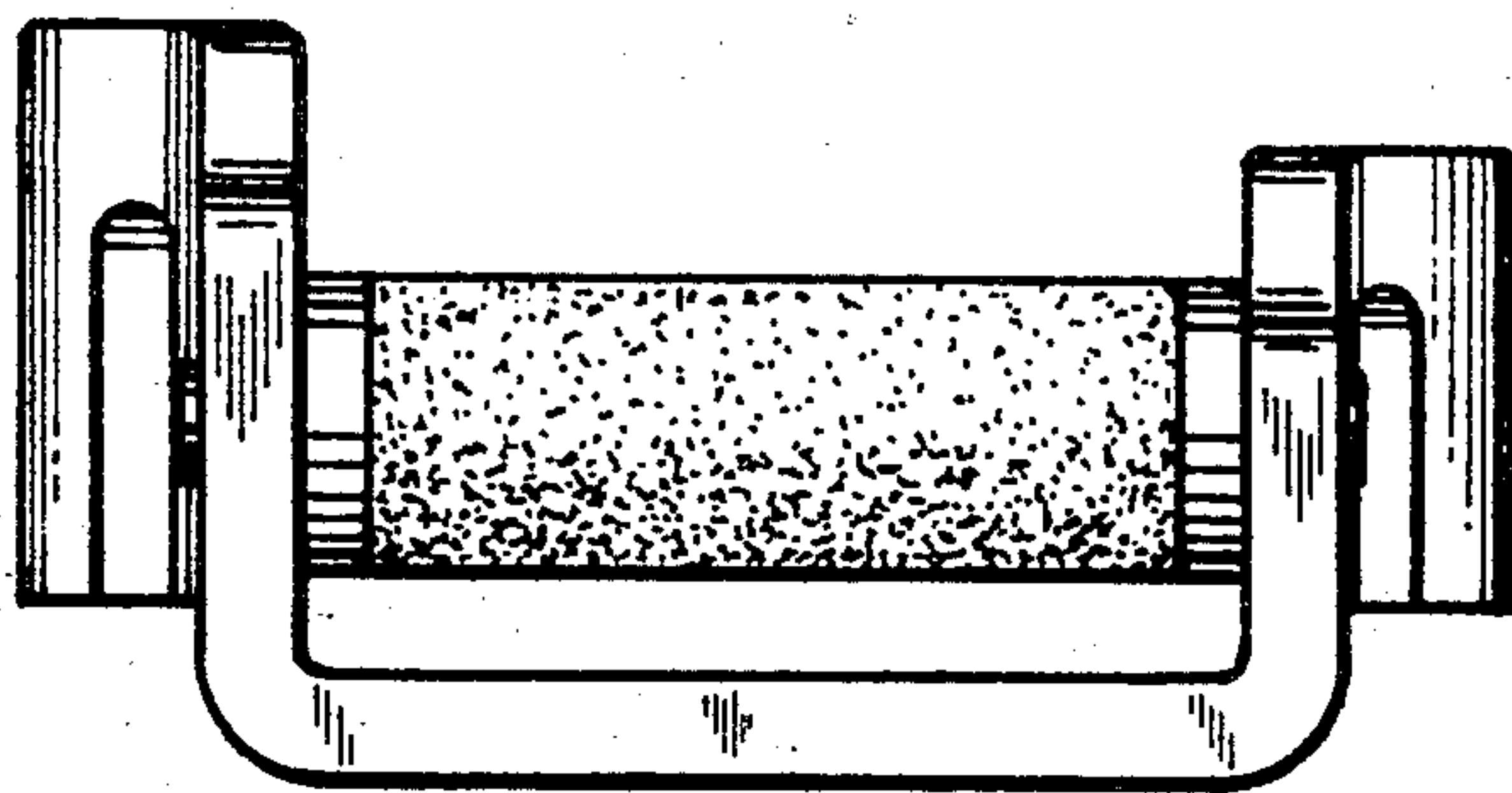




FIG. 3

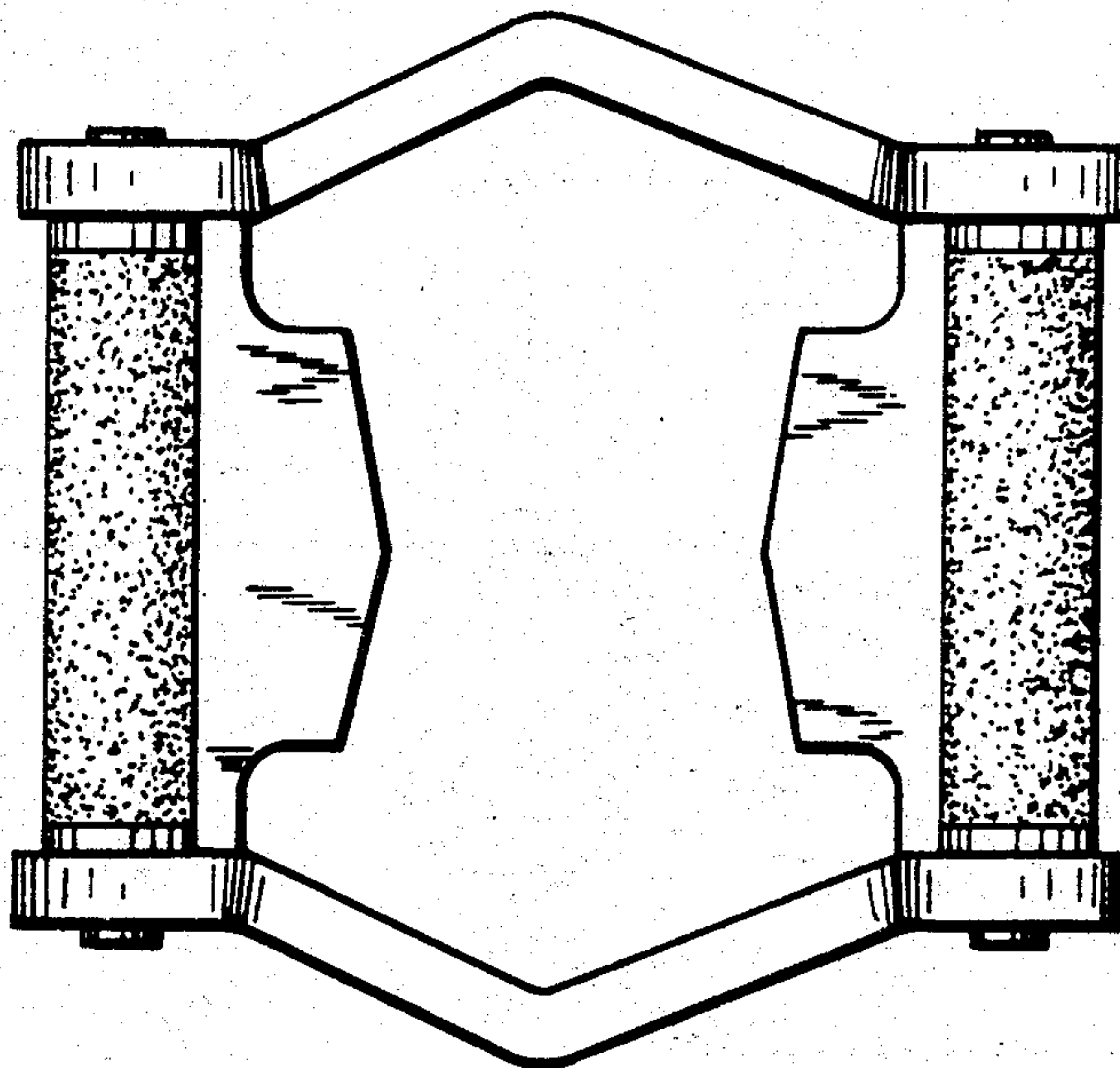


FIG. 4

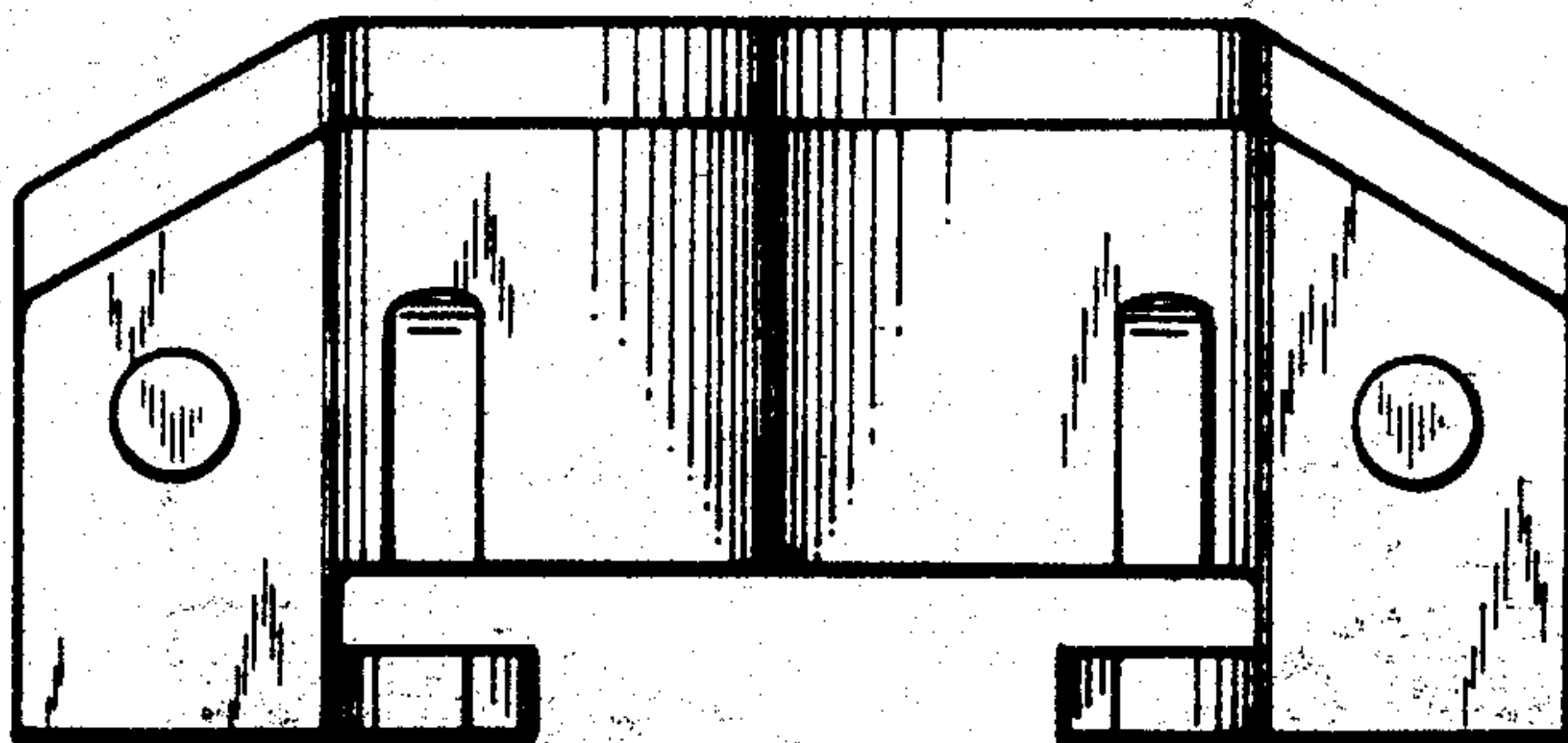


FIG.5

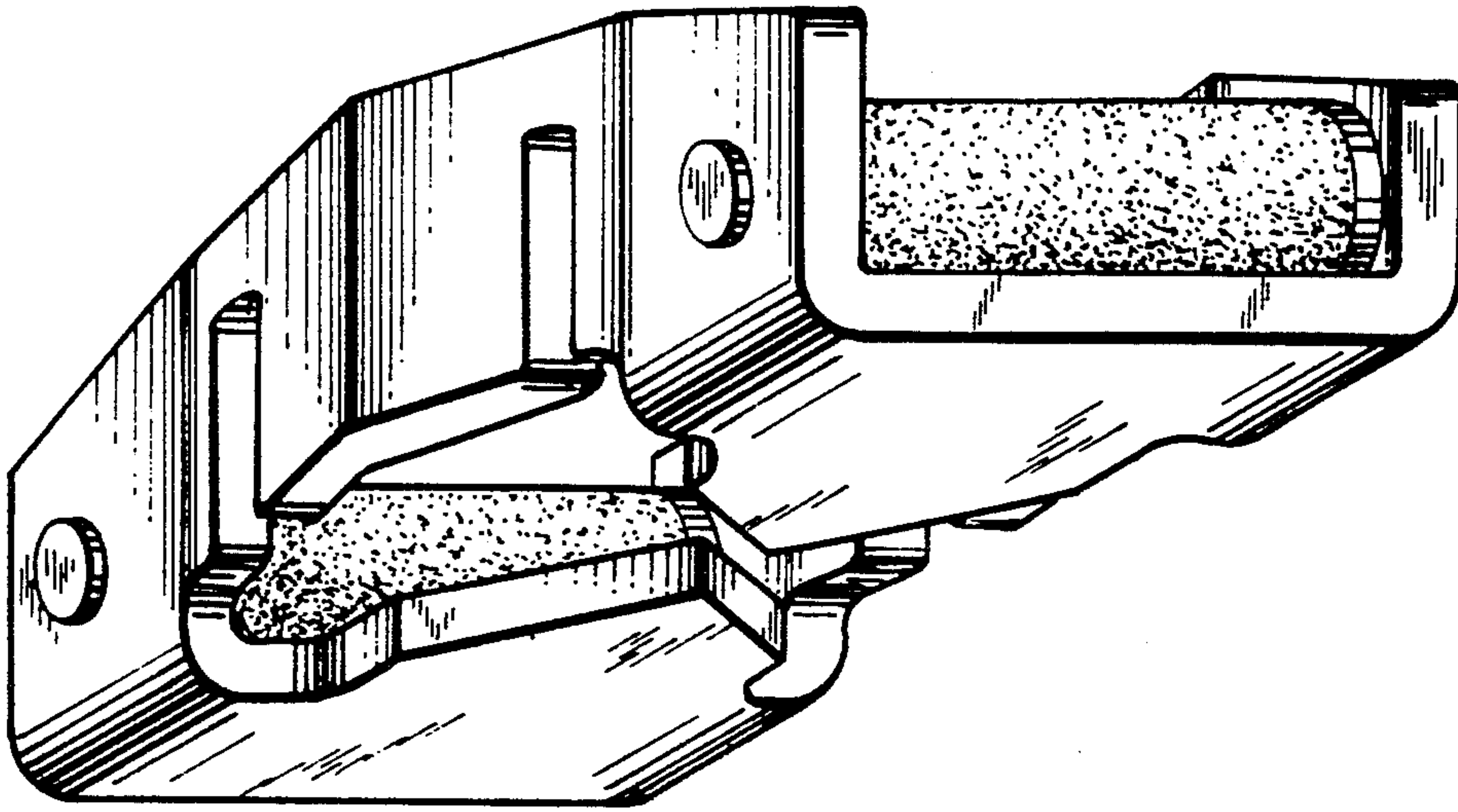


FIG.6

