

[54] **MASTIC GUN**
[75] **Inventor: John P. A. Cox, Newbury, England**
[73] **Assignee: P.C. Cox (Newbury) Limited, England**
[**] **Term: 14 Years**
[21] **Appl. No.: 554,953**
[22] **Filed: Nov. 25, 1983**

[30] **Foreign Application Priority Data**
May 25, 1983 [GB] United Kingdom 1013241
[52] **U.S. Cl. D8/14.1**
[58] **Field of Search D8/61, 68, 14.1, 107; 222/390, 391, 327**

[56] **References Cited**
U.S. PATENT DOCUMENTS
D. 170,428 9/1953 Peterson D8/14.1
D. 246,221 11/1977 Cox D8/14.1

2,144,702 1/1939 Hulme 222/327 X
2,731,176 1/1956 Crewe 222/391 X
3,209,958 10/1965 Sundholm D8/14.1 X

FOREIGN PATENT DOCUMENTS

1011470 12/1965 United Kingdom 222/391

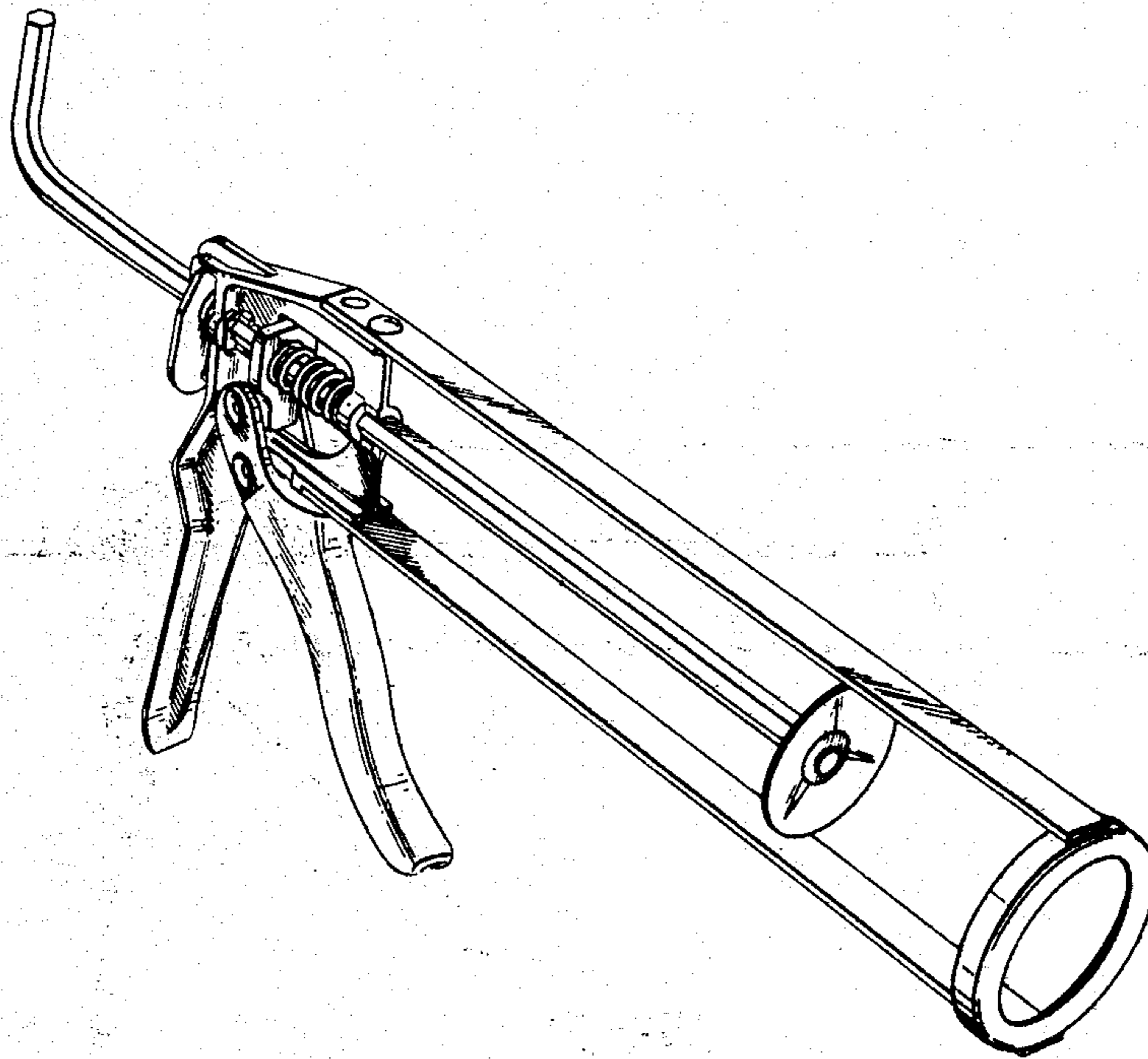
Primary Examiner—Susan J. Lucas
Assistant Examiner—C. E. Heflin
Attorney, Agent, or Firm—Price, Heneveld, Huizenga & Cooper

[57] **CLAIM**

The ornamental design for a mastic gun, as shown and described.

DESCRIPTION

FIG. 1 is a front perspective view showing one side of a mastic gun illustrating my new design;
FIG. 2 is a side elevation thereof;
FIG. 3 is a rear view thereof; and
FIG. 4 is an enlarged, fragmentary perspective view thereof with the trigger partially retracted.



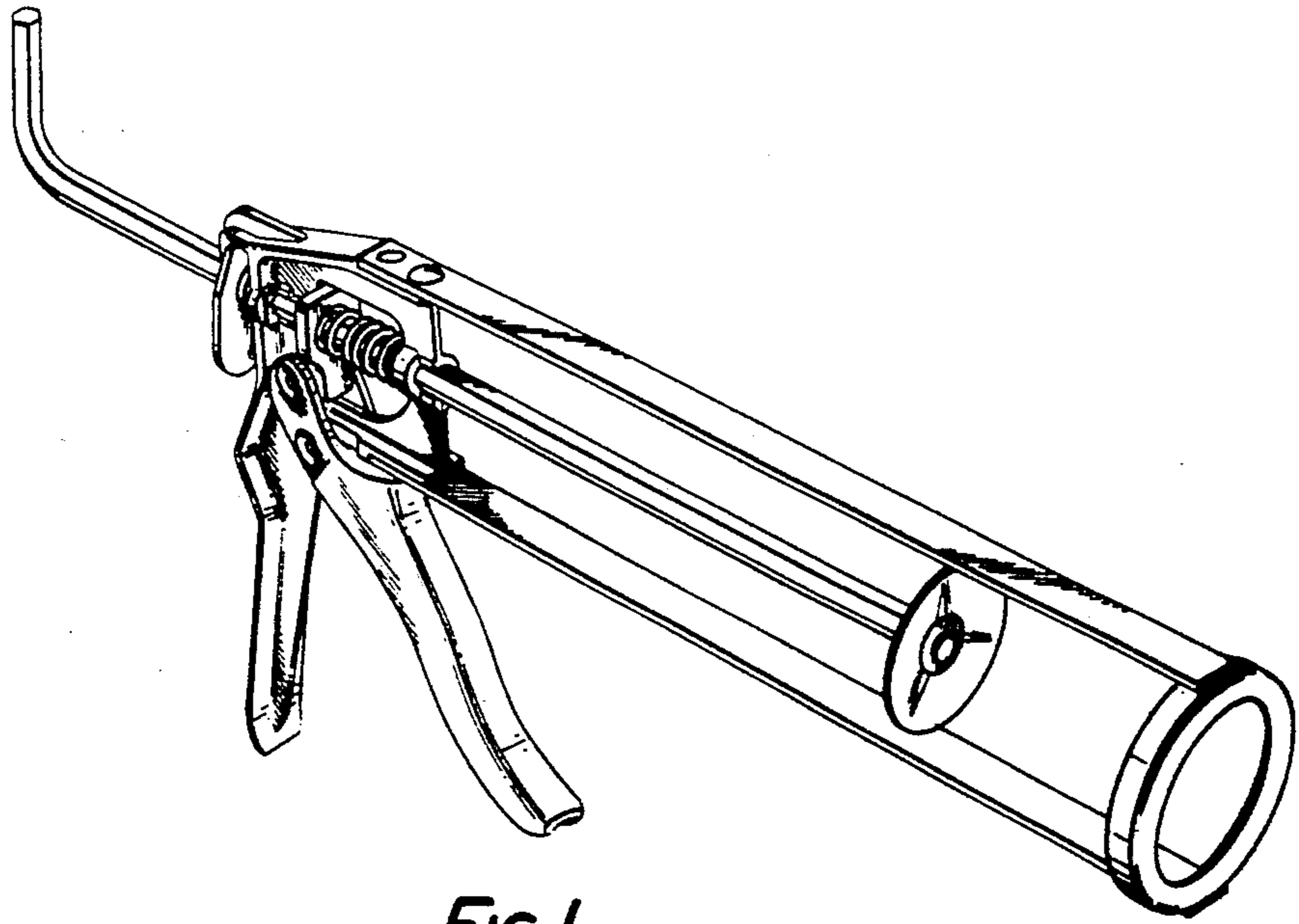


FIG. 1.

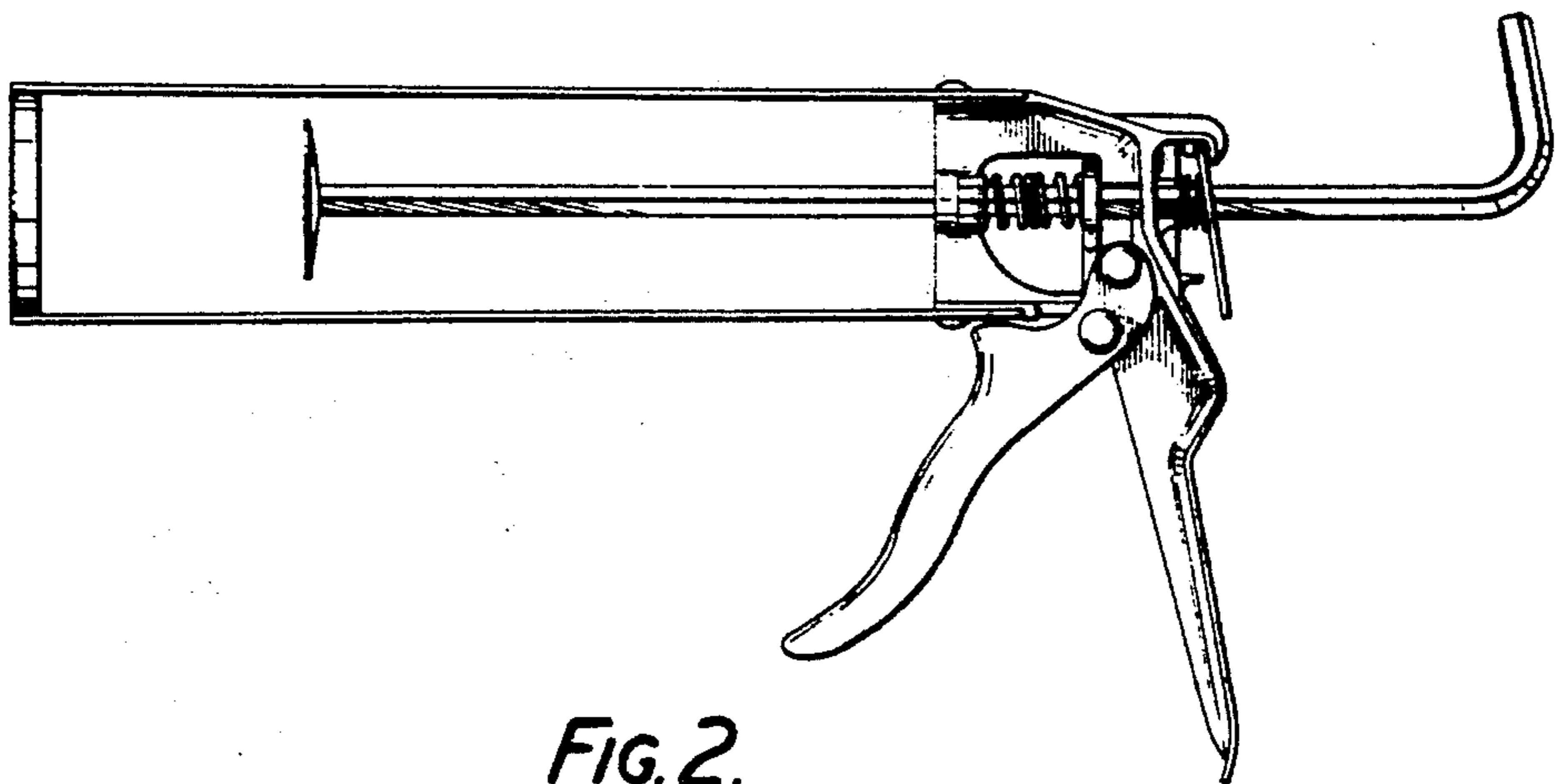


FIG. 2.

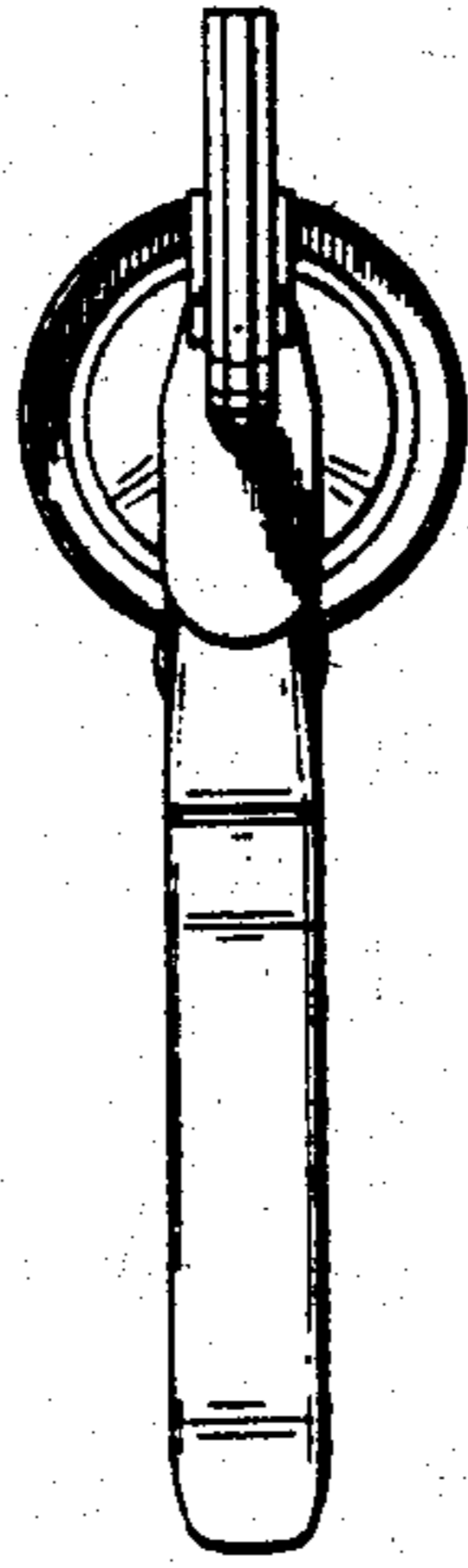


FIG. 3.

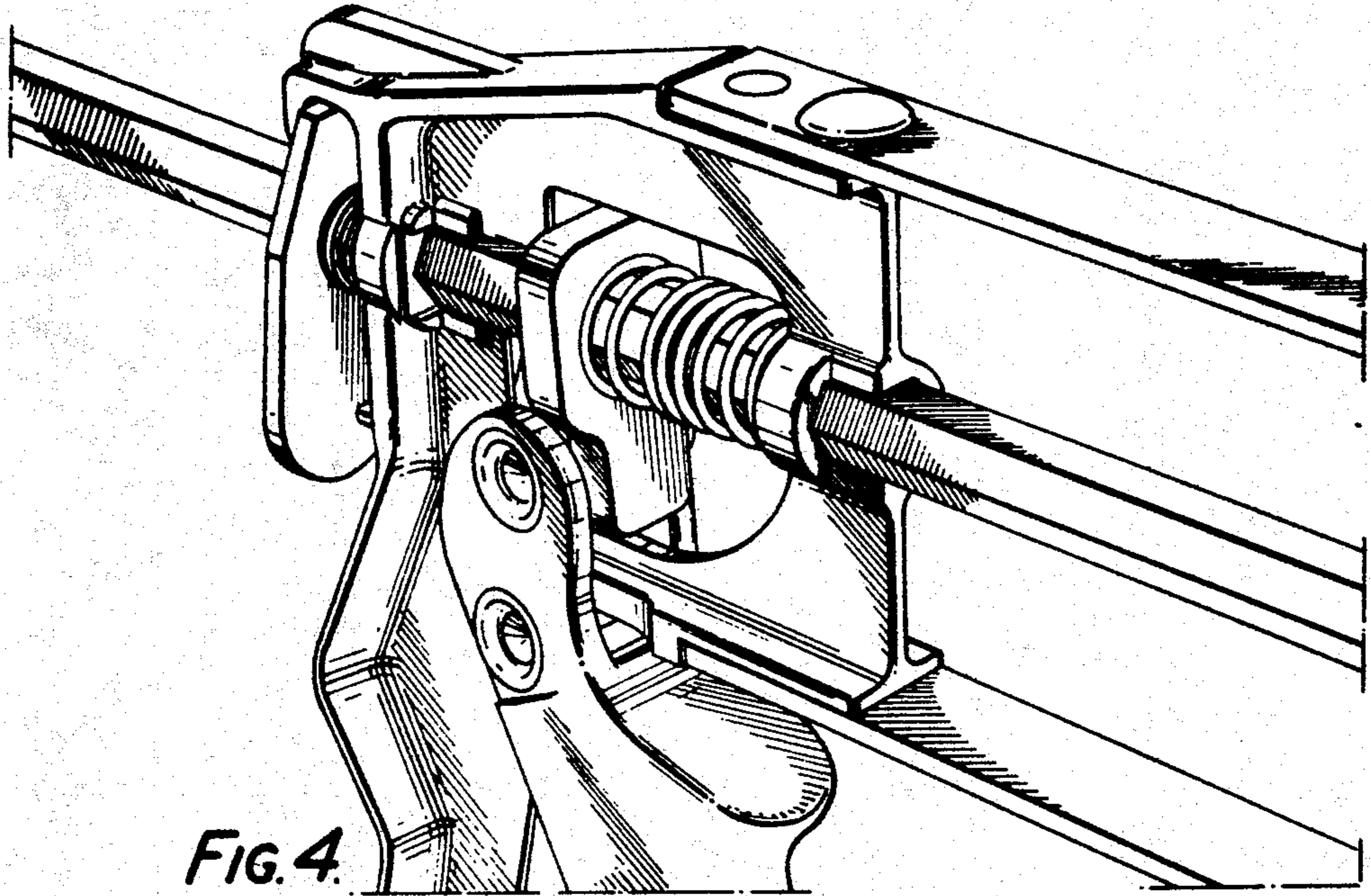


FIG. 4.