

[54] HEDGE TRIMMER

[75] Inventors: Hideki Kawakami, Hiroshima; Yutaka Kanamaru, Tokyo, both of Japan

[73] Assignee: Ryobi Ltd., Hiroshima, Japan

[**] Term: 14 Years

[21] Appl. No.: 608,044

[22] Filed: May 7, 1984

[30] Foreign Application Priority Data

Nov. 28, 1983 [JP] Japan 58-51715

[52] U.S. Cl. D8/8

[58] Field of Search D8/6-9; 56/233-237; 30/194, 208-210, 228

[56] References Cited

U.S. PATENT DOCUMENTS

D. 186,676 11/1959 Katzfey et al. D8/8

D. 204,943 5/1966 Hart D8/8

D. 209,222 11/1967 Batson D8/8

D. 225,296 12/1972 Boldt D8/8

D. 226,420 3/1973 Bartasevich et al. D8/8

OTHER PUBLICATIONS

Black and Decker Brochure, -Hedge Trimmer #8124 Spring/Summer 1975.

Primary Examiner—Wallace R. Burke

Assistant Examiner—Brian N. Vinson

Attorney, Agent, or Firm—Sughrue, Mion, Zinn, Macpeak, and Seas

[57] CLAIM

The ornamental design for a hedge trimmer, as shown.

DESCRIPTION

FIG. 1 is a right side elevational view of a hedge trimmer showing our new design; FIG. 2 is a top plan view thereof; FIG. 3 is a front elevational view thereof; FIG. 4 is a rear elevational view thereof; FIG. 5 is a left side elevational view thereof; and FIG. 6 is a bottom plan view thereof.

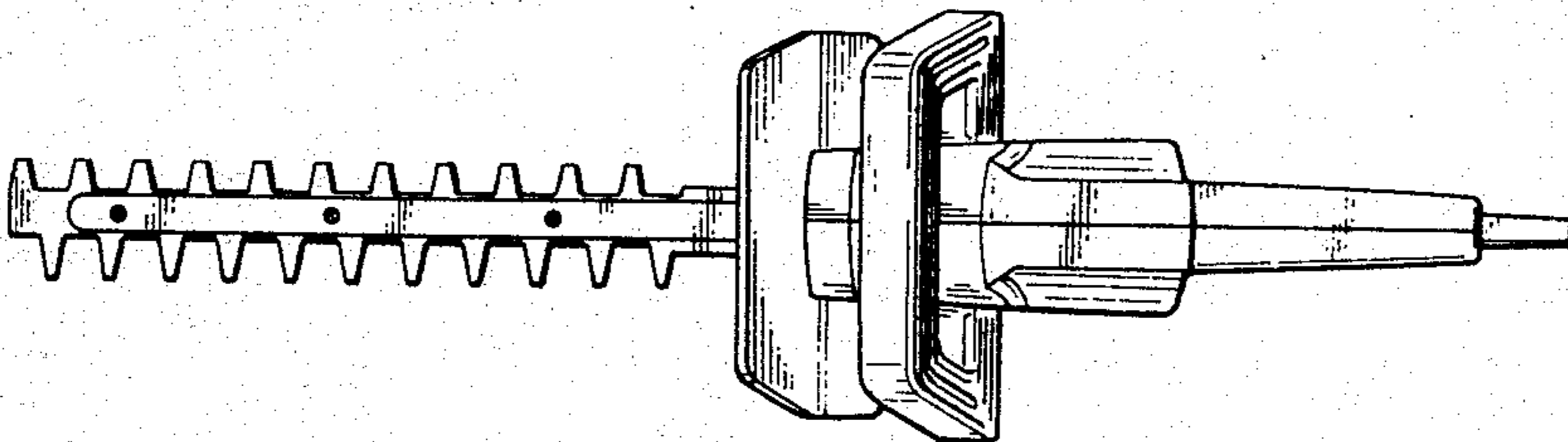
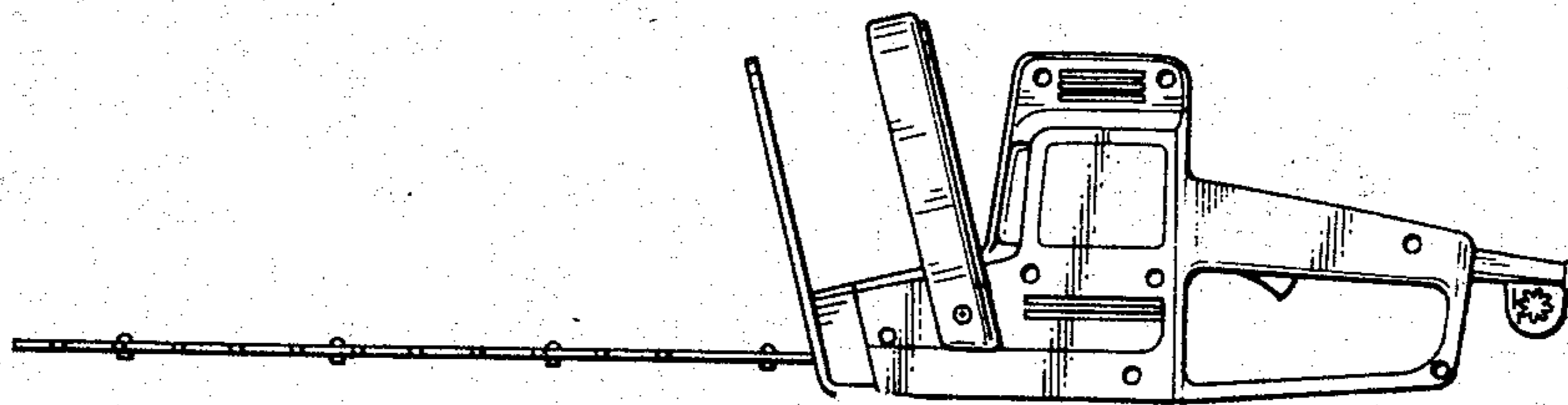


Fig. 1

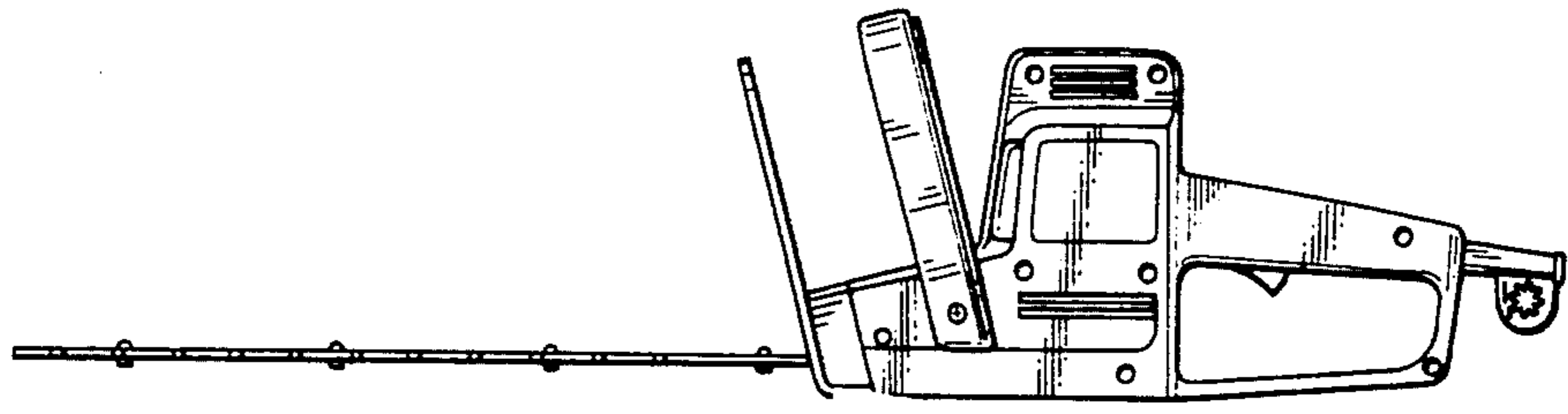


Fig. 2

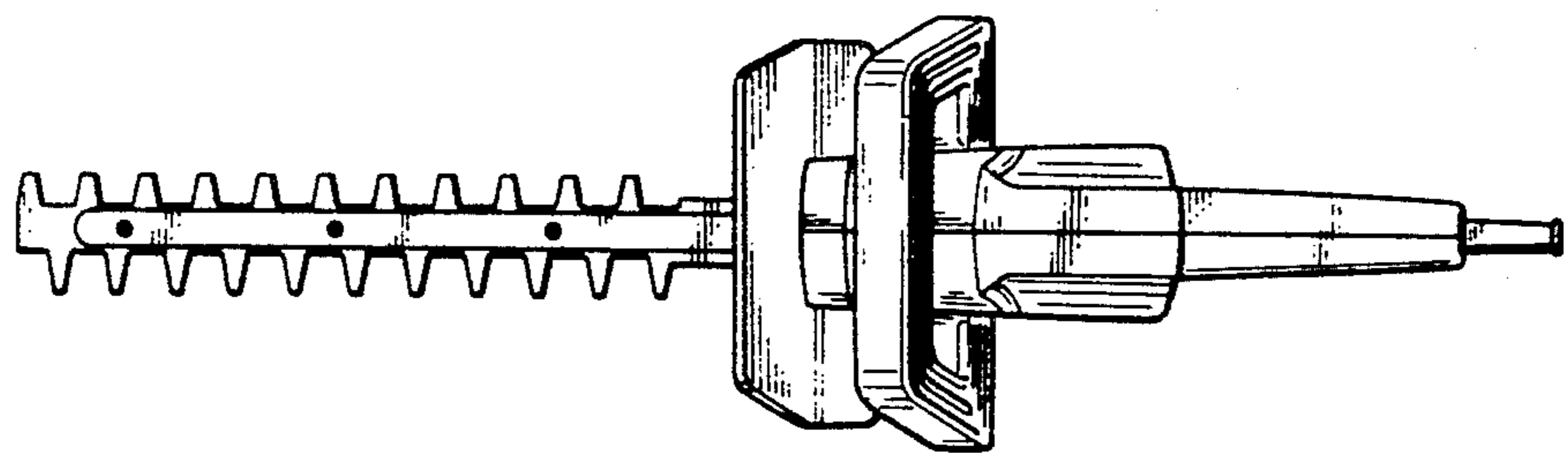


Fig. 3

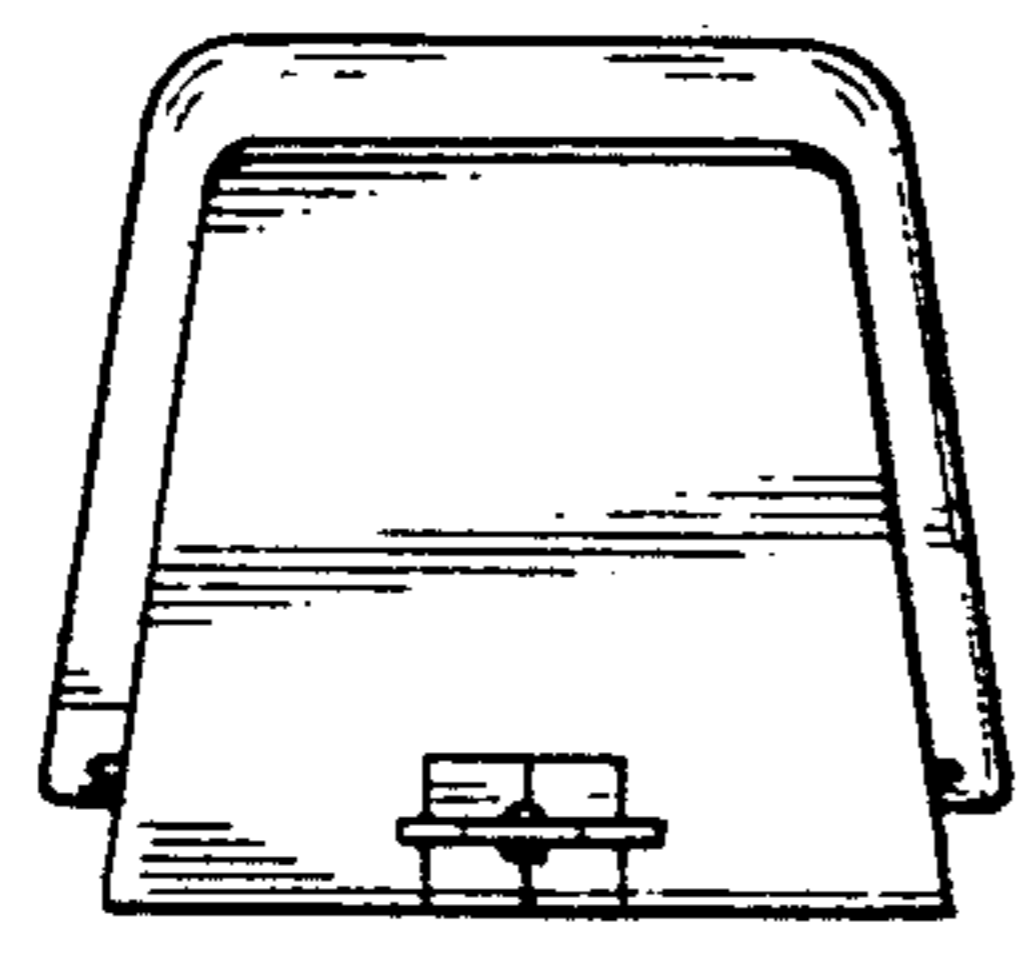


Fig. 4

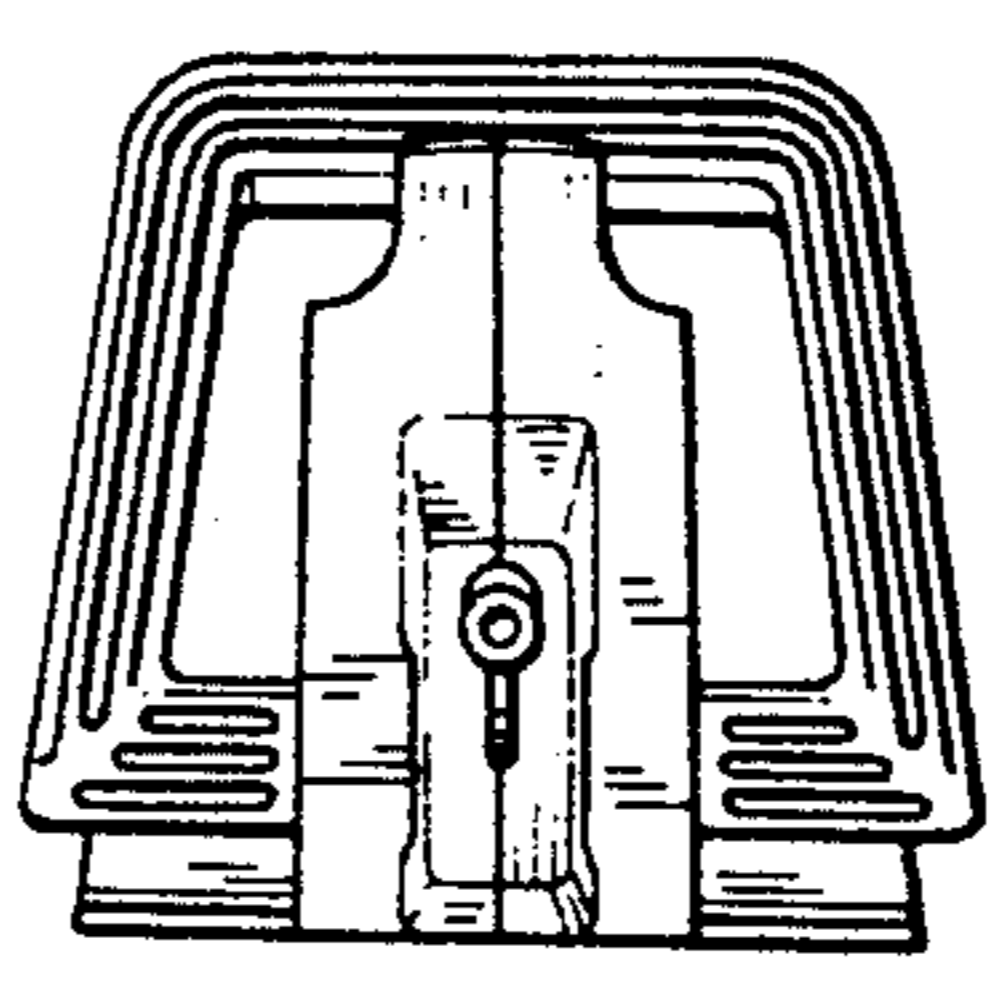


Fig. 5

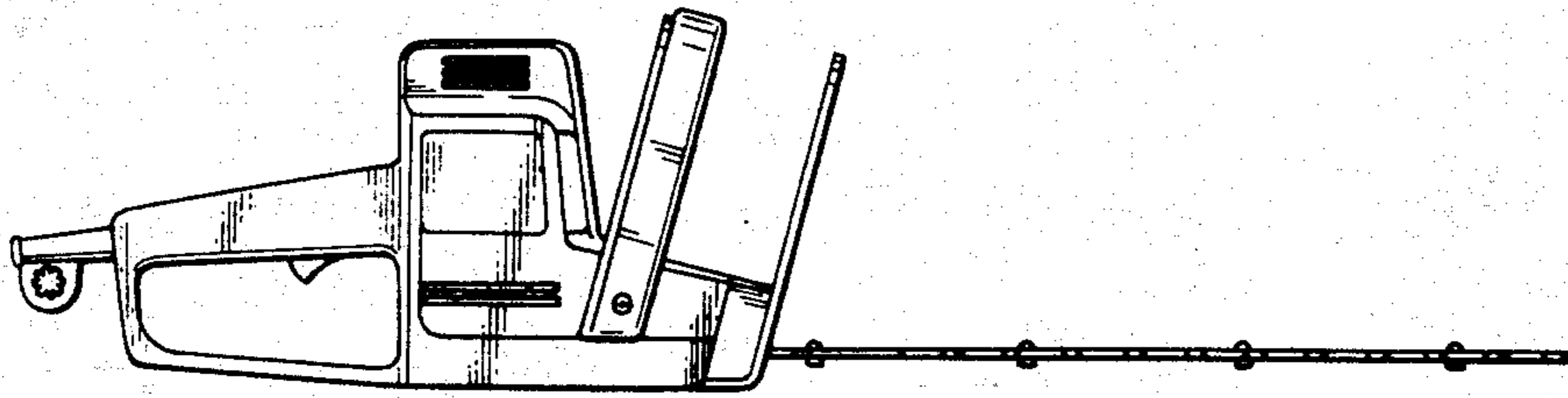


Fig. 6

