

[54] MIXER-POURER FOR DRINKS

[76] Inventor: John S. Doyel, 404 W. 20th St., New York, N.Y. 10011

[**] Term: 14 Years

[21] Appl. No.: 606,901

[22] Filed: May 4, 1984

[52] U.S. Cl. D7/376; D7/321

[58] Field of Search D7/300, 310, 312, 316-322, D7/376, 379; 222/385, 239; 366/190, 194, 251

[56] References Cited

U.S. PATENT DOCUMENTS

D. 163,857	7/1951	Frimerman	D7/312
D. 209,915	1/1968	Bentley	D7/376
D. 233,929	12/1974	Yuen	D7/376
D. 249,925	10/1978	Rice	D7/379
3,289,897	12/1966	Ginsberg	366/251 X

3,523,629	8/1970	Chi	222/385 X
3,806,004	4/1974	Kolkovsky	222/385
4,480,926	11/1984	Lattery, Jr. et al.	366/251

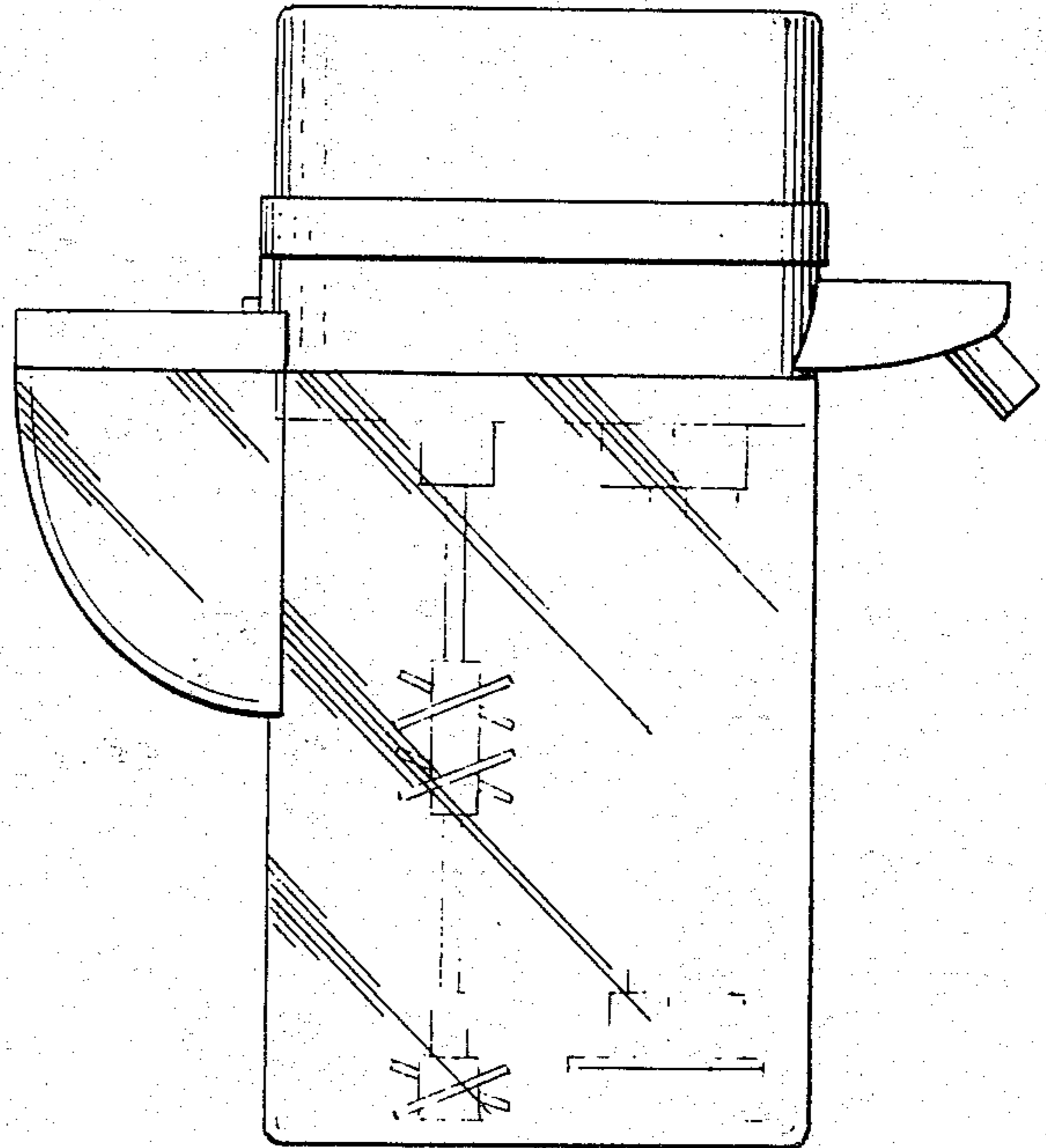
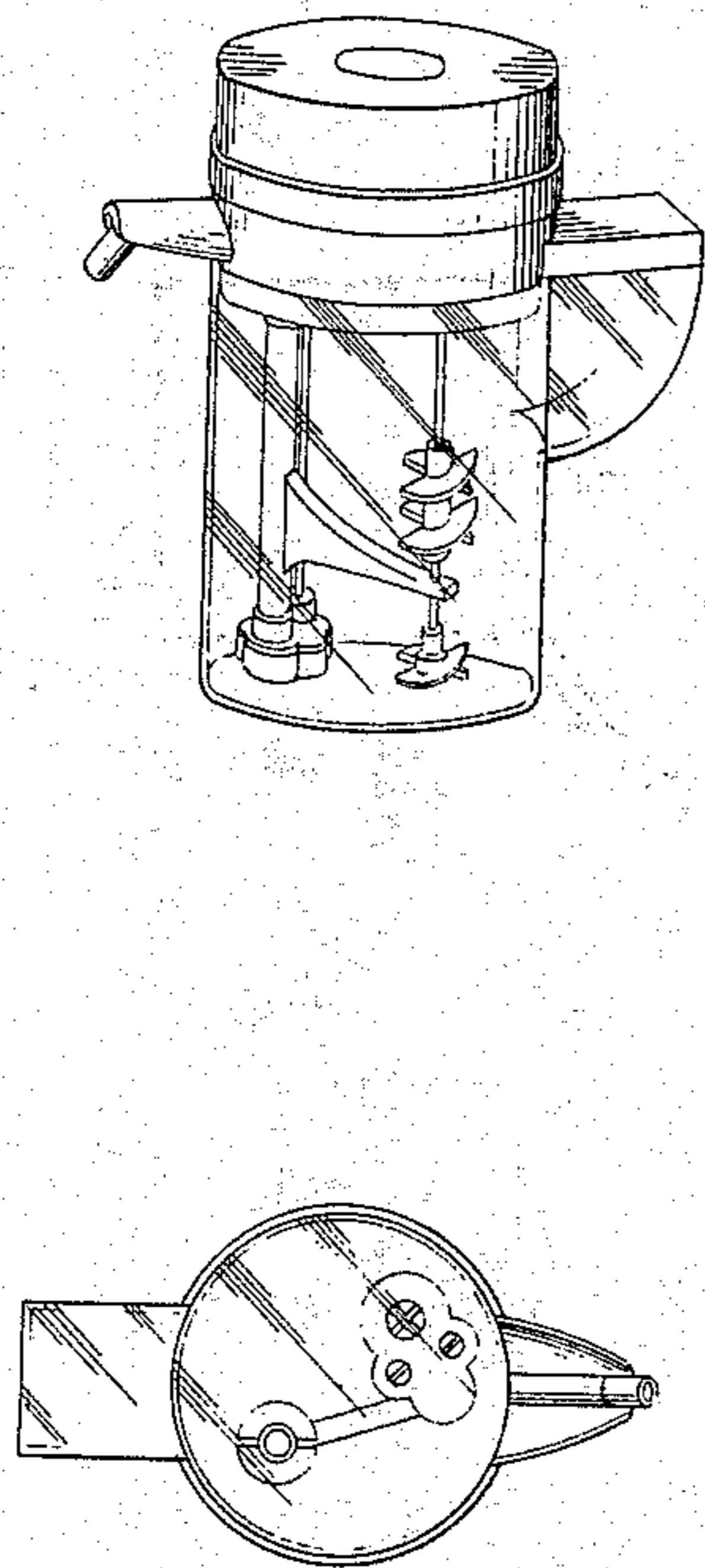
Primary Examiner—Winifred E. Herrmann
Attorney, Agent, or Firm—Cooper, Dunham, Griffin & Moran

[57] CLAIM

The ornamental design for a mixer-pourer for drinks, as shown and described.

DESCRIPTION

FIG. 1 is a perspective view of a mixer-pourer for drinks embodying my new design.
FIG. 2 is a top plan view thereof.
FIG. 3 is a bottom plan view thereof.
FIG. 4 is a side elevational view thereof, the opposite side view being a mirror image.
FIG. 5 is a front elevational view thereof.
FIG. 6 is a rear elevational view thereof.



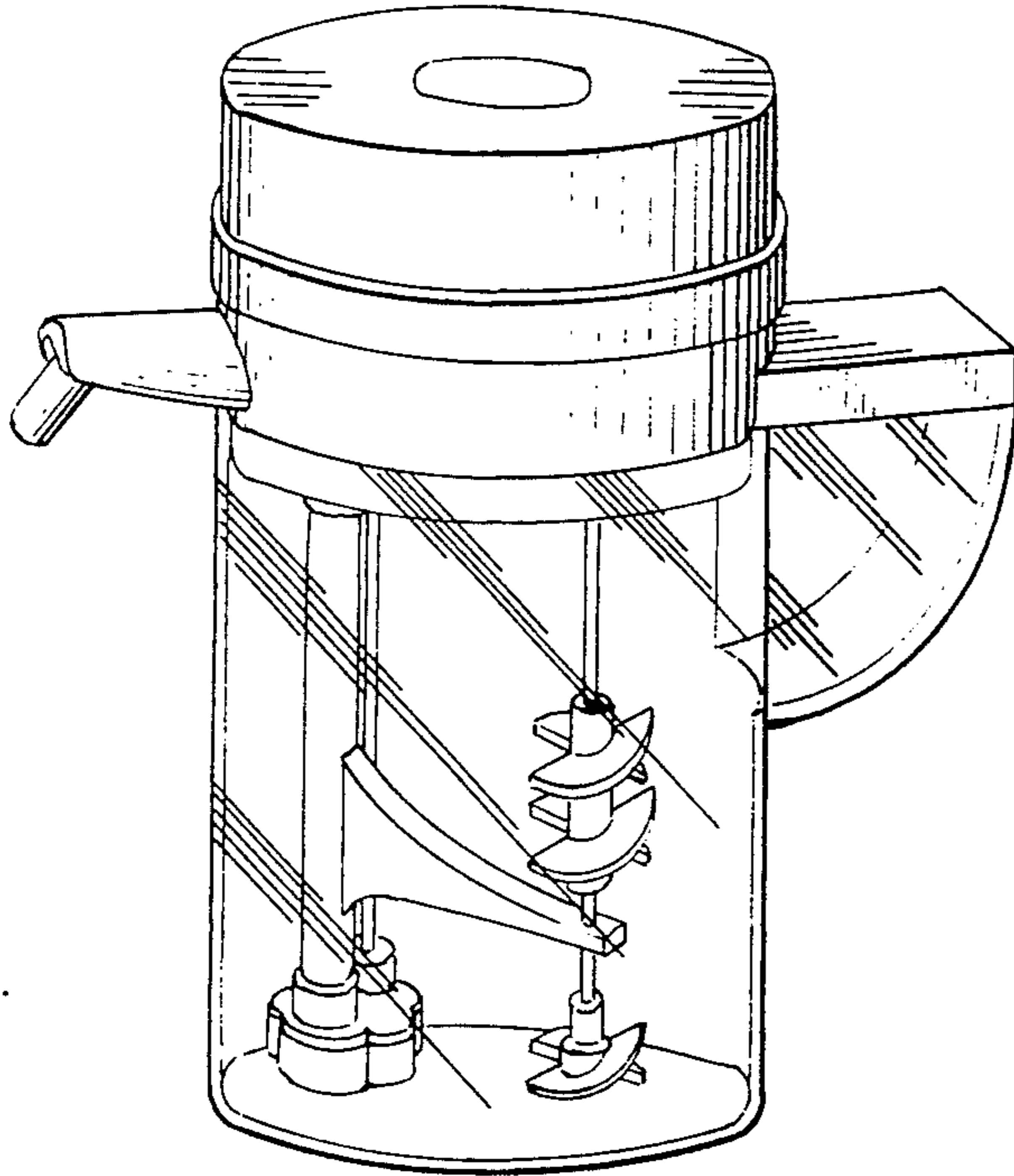


Fig. 1.

Fig. 2.

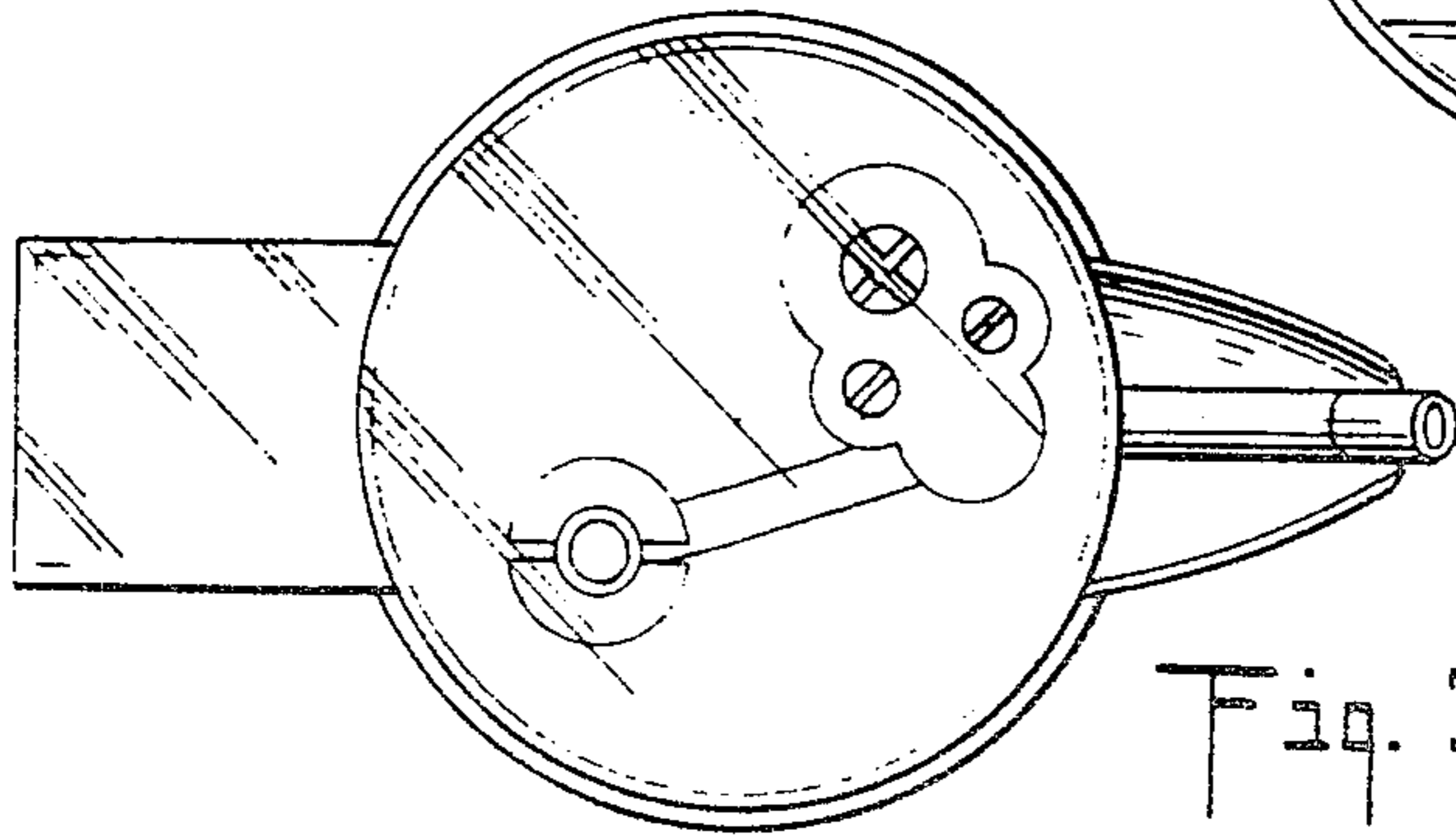
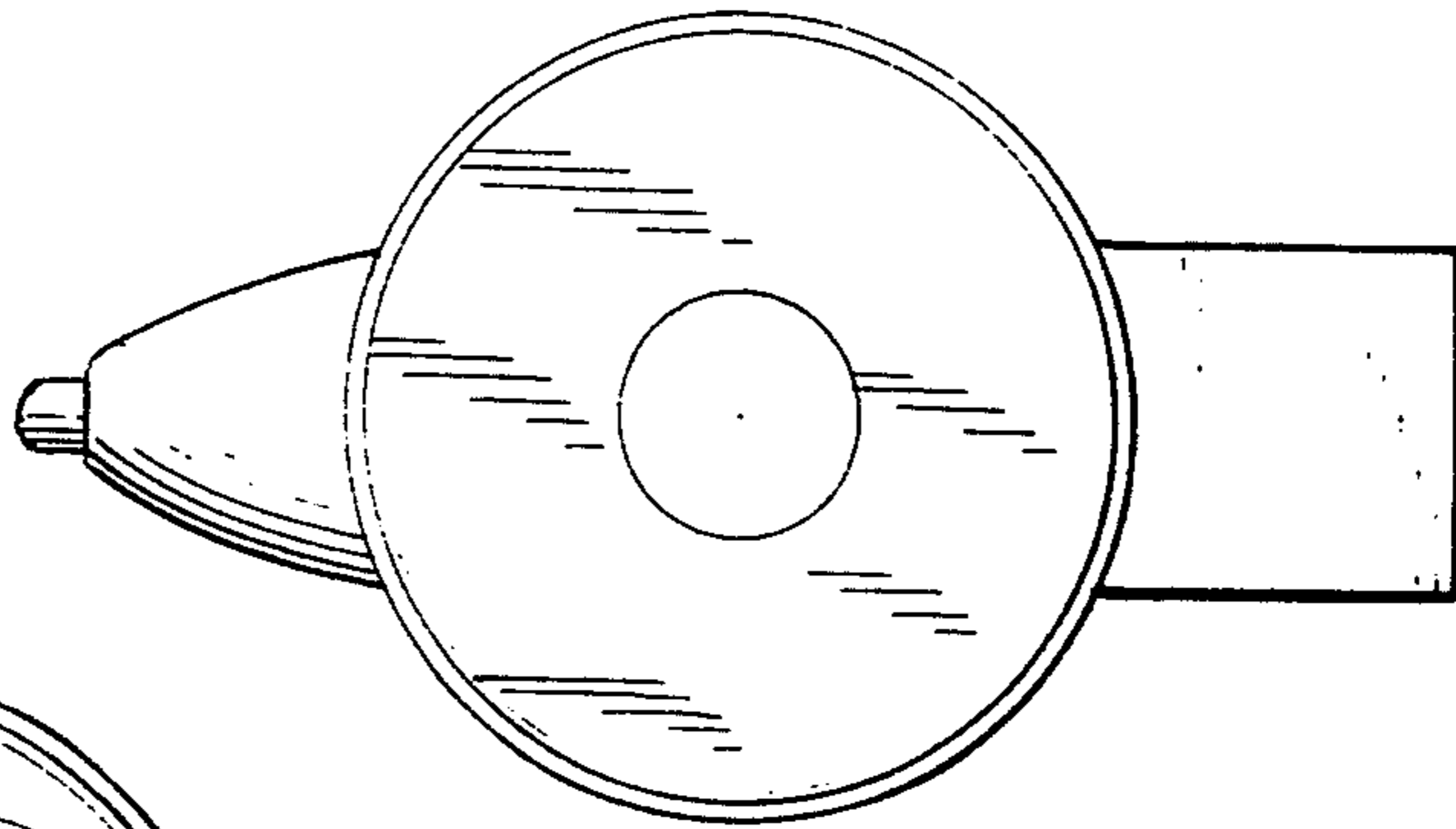


Fig. 3.

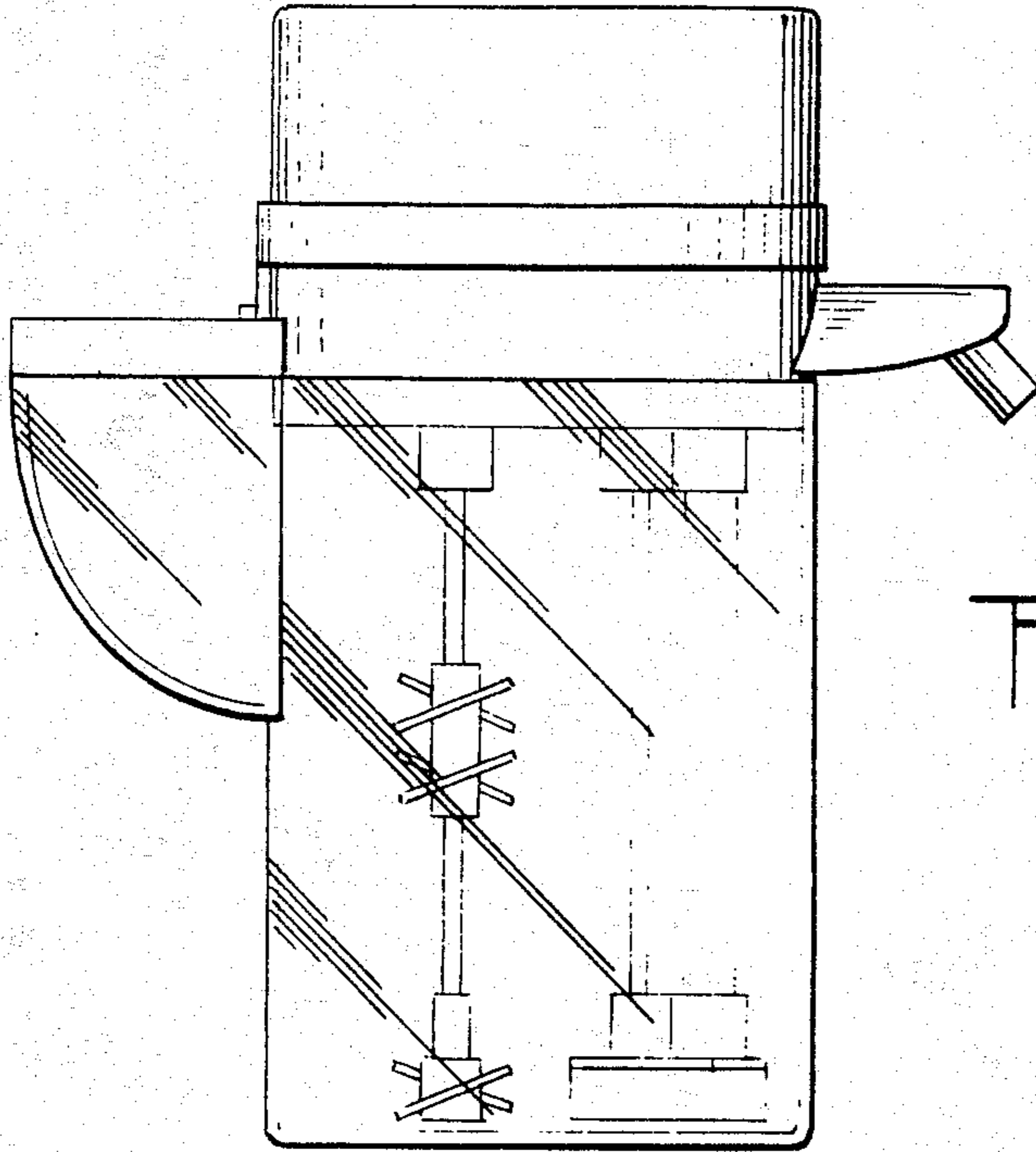


Fig. 4.

Fig. 5.

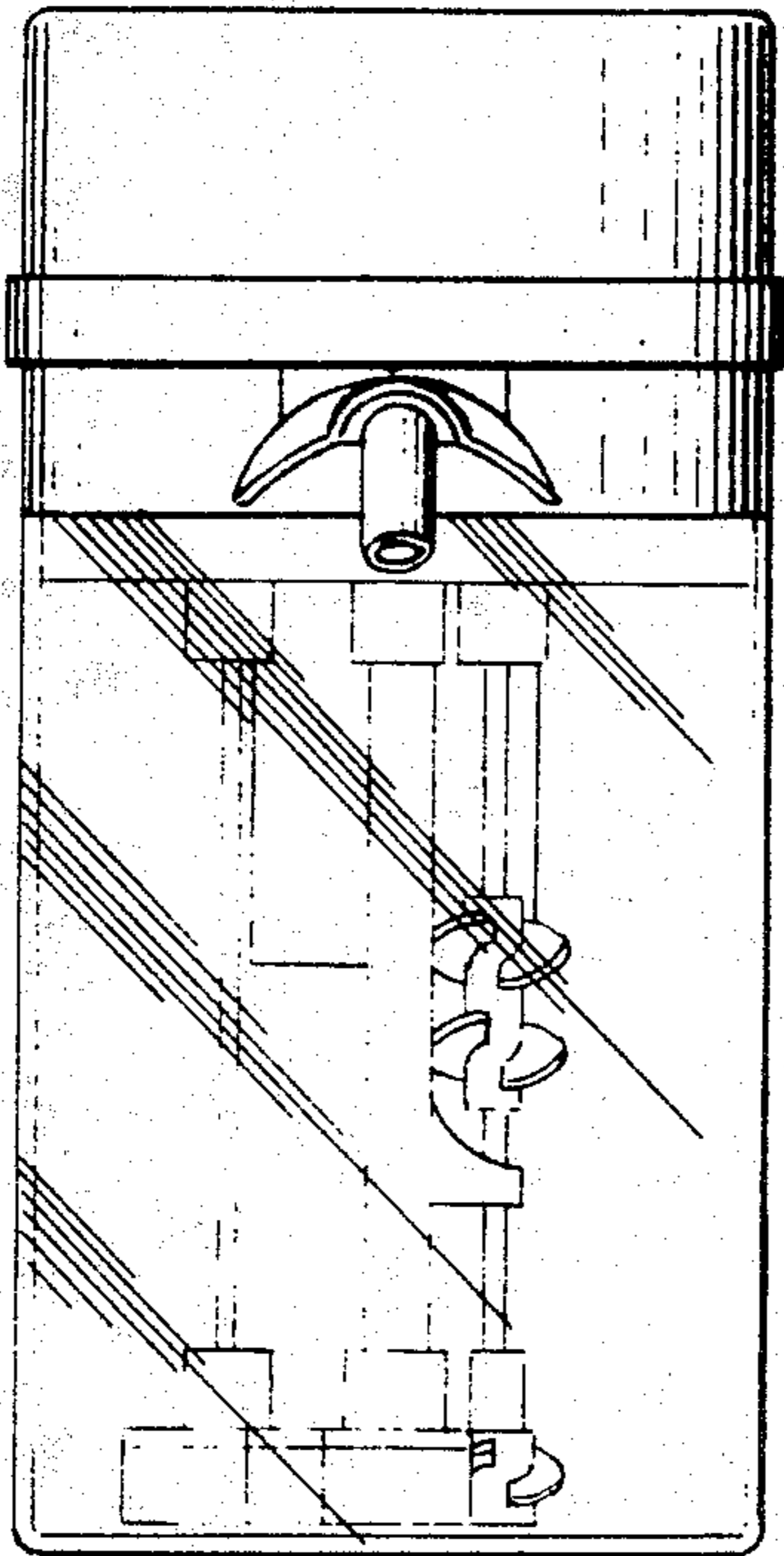


Fig. 6.

