

[54] **ESPRESSO COFFEE MAKER**

[75] **Inventor: Alister Jack, Grijpskerk, Netherlands**

[73] **Assignee: U.S. Philips Corporation, New York, N.Y.**

[**] **Term: 14 Years**

[21] **Appl. No.: 613,929**

[22] **Filed: May 25, 1984**

[30] **Foreign Application Priority Data**

Dec. 2, 1983 [NL] Netherlands 58472-00

[52] **U.S. Cl. D7/309**

[58] **Field of Search D7/300, 309, 311, 305, D7/306, 307, 308, 310**

[56] **References Cited**

U.S. PATENT DOCUMENTS

D. 167,744 9/1952 Dreyfuss D7/311
D. 238,115 12/1975 Marott D7/309

D. 242,891 1/1977 Havenstein D7/309
D. 269,183 5/1983 Asten D7/309
4,503,757 3/1985 Daugherty D7/309 X

OTHER PUBLICATIONS

HFD-Retailing Home Furnishings, p. 54, Jun. 30, 1980, Section One, Espresso Maker from Rowoco.

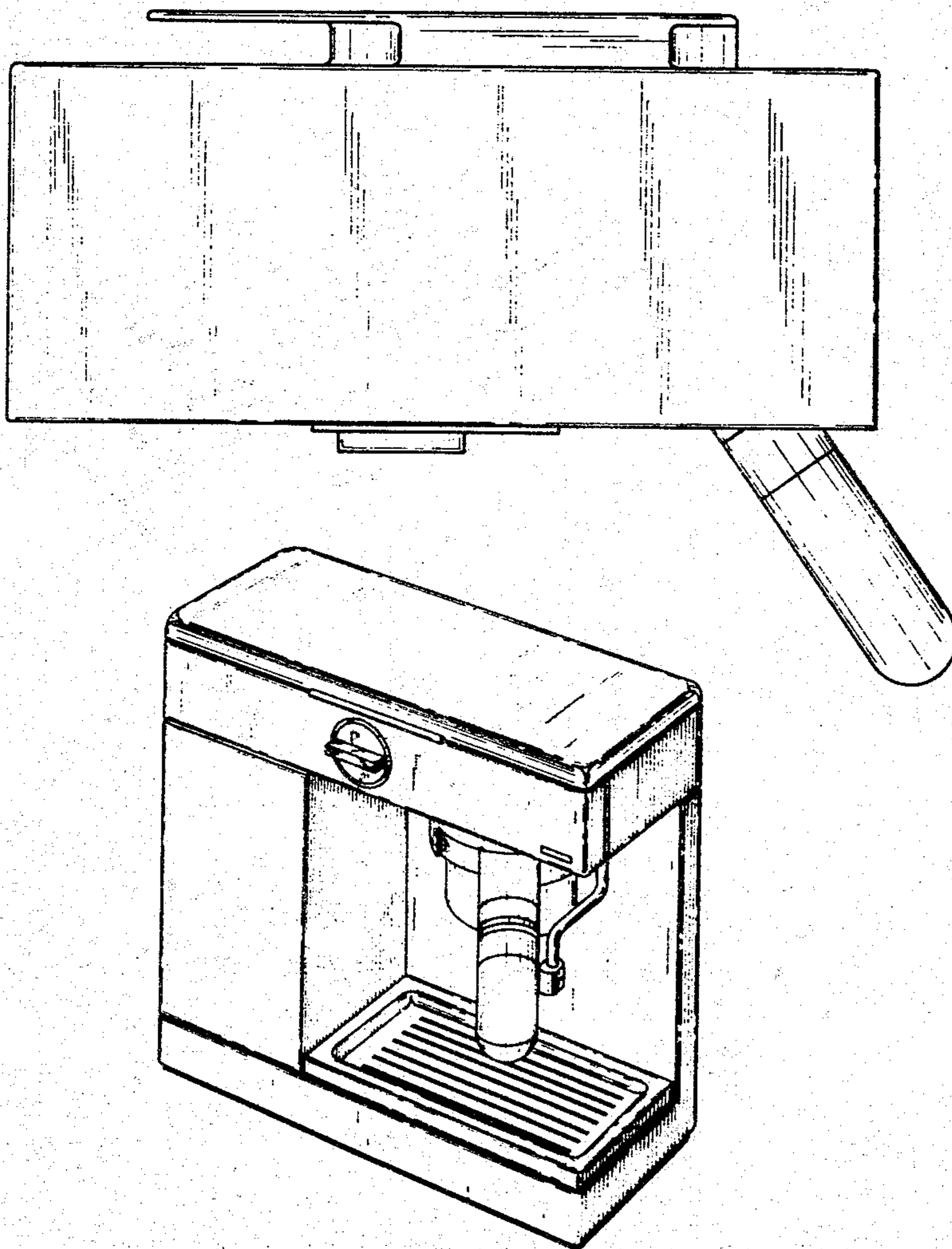
Primary Examiner—Winifred E. Herrmann
Attorney, Agent, or Firm—Rolf E. Schneider

[57] **CLAIM**

The ornamental design for an espresso coffee maker, as shown.

DESCRIPTION

FIG. 1 is a front, top and right side perspective view of an espresso coffee maker showing my new design; FIG. 2 is a front elevational view thereof; FIG. 3 is a rear elevational view thereof; FIG. 4 is a right side elevational view thereof; FIG. 5 is a left side elevational view thereof; FIG. 6 is a top plan view thereof; and FIG. 7 is a bottom plan view thereof.



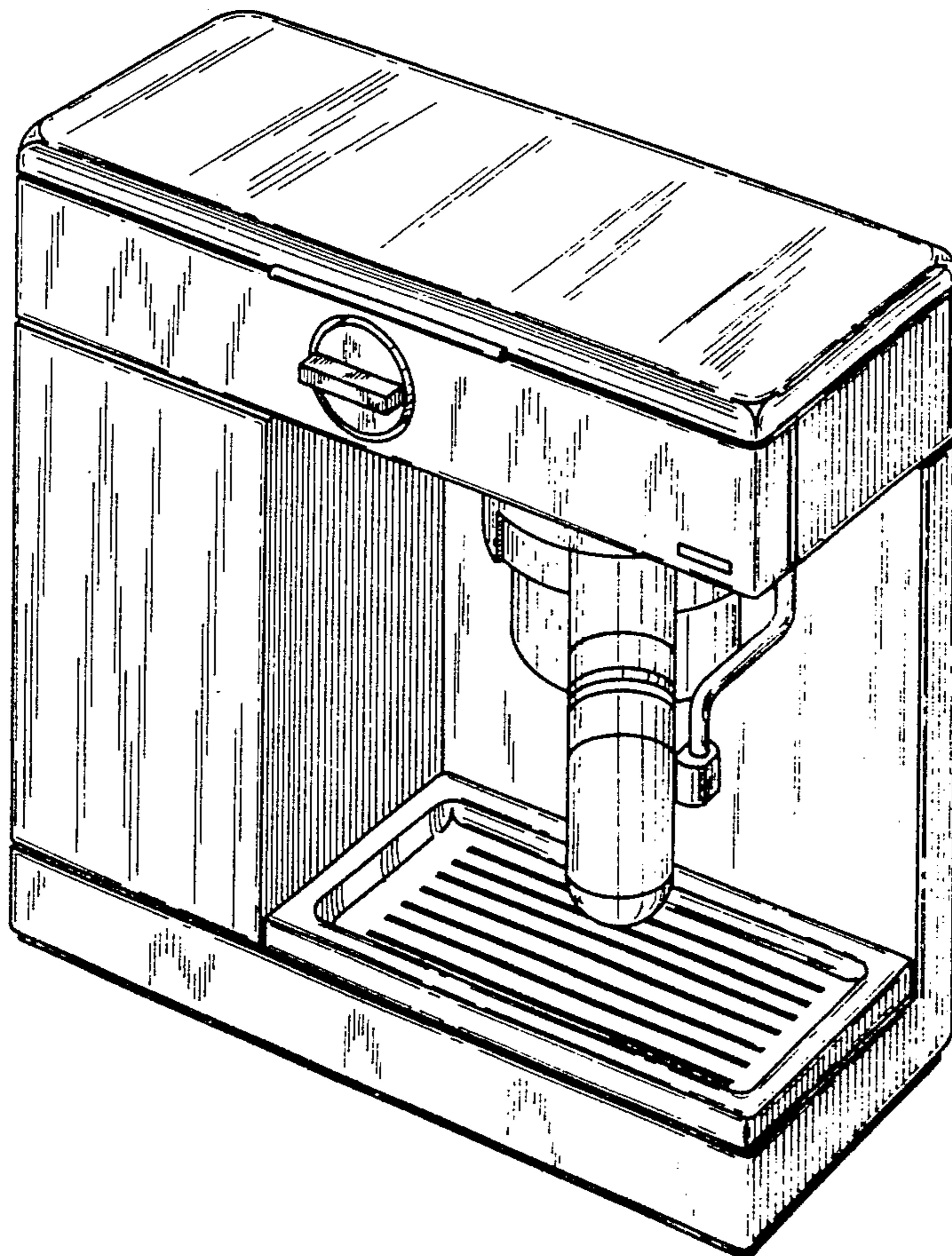


FIG. 1

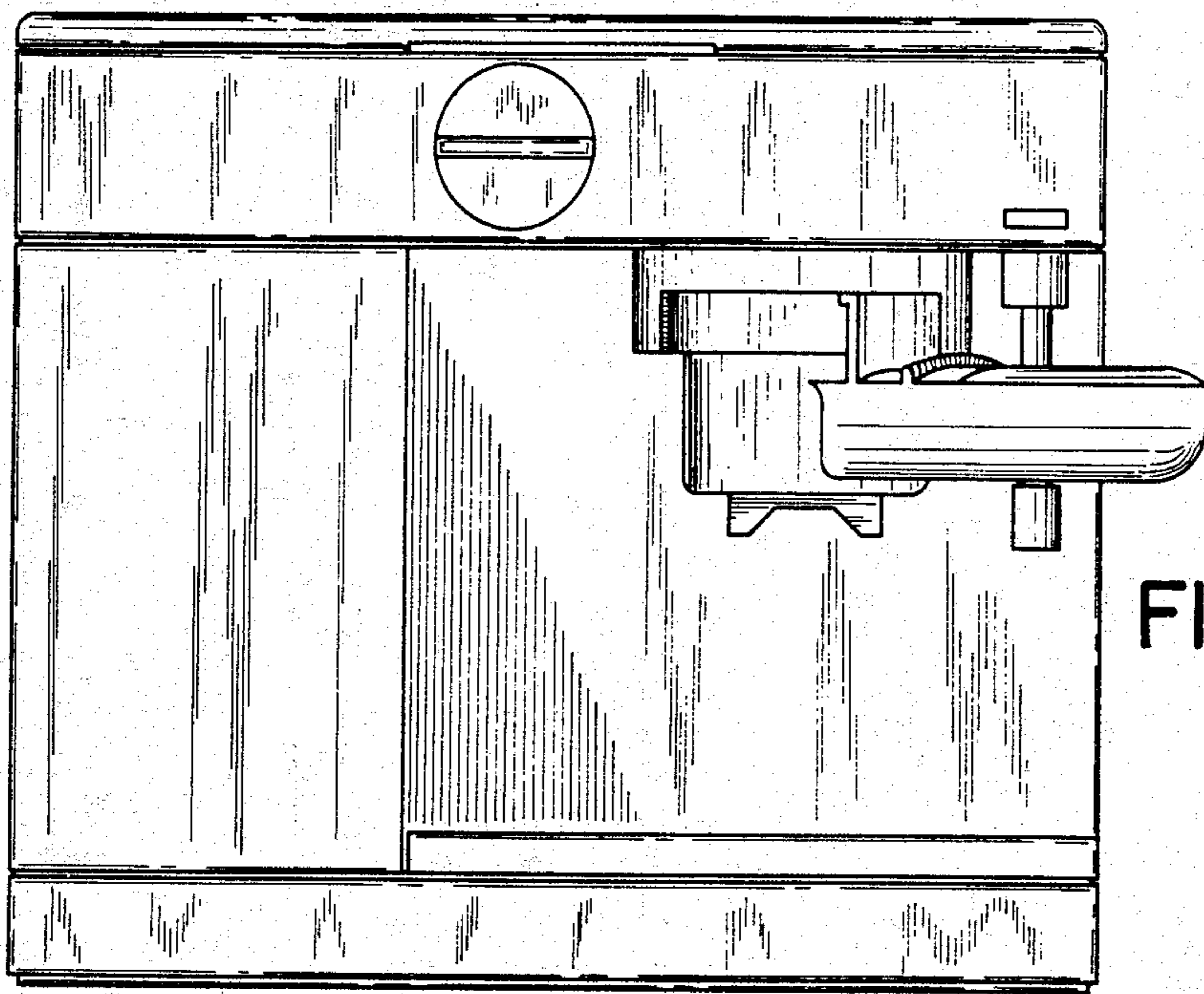


FIG. 2

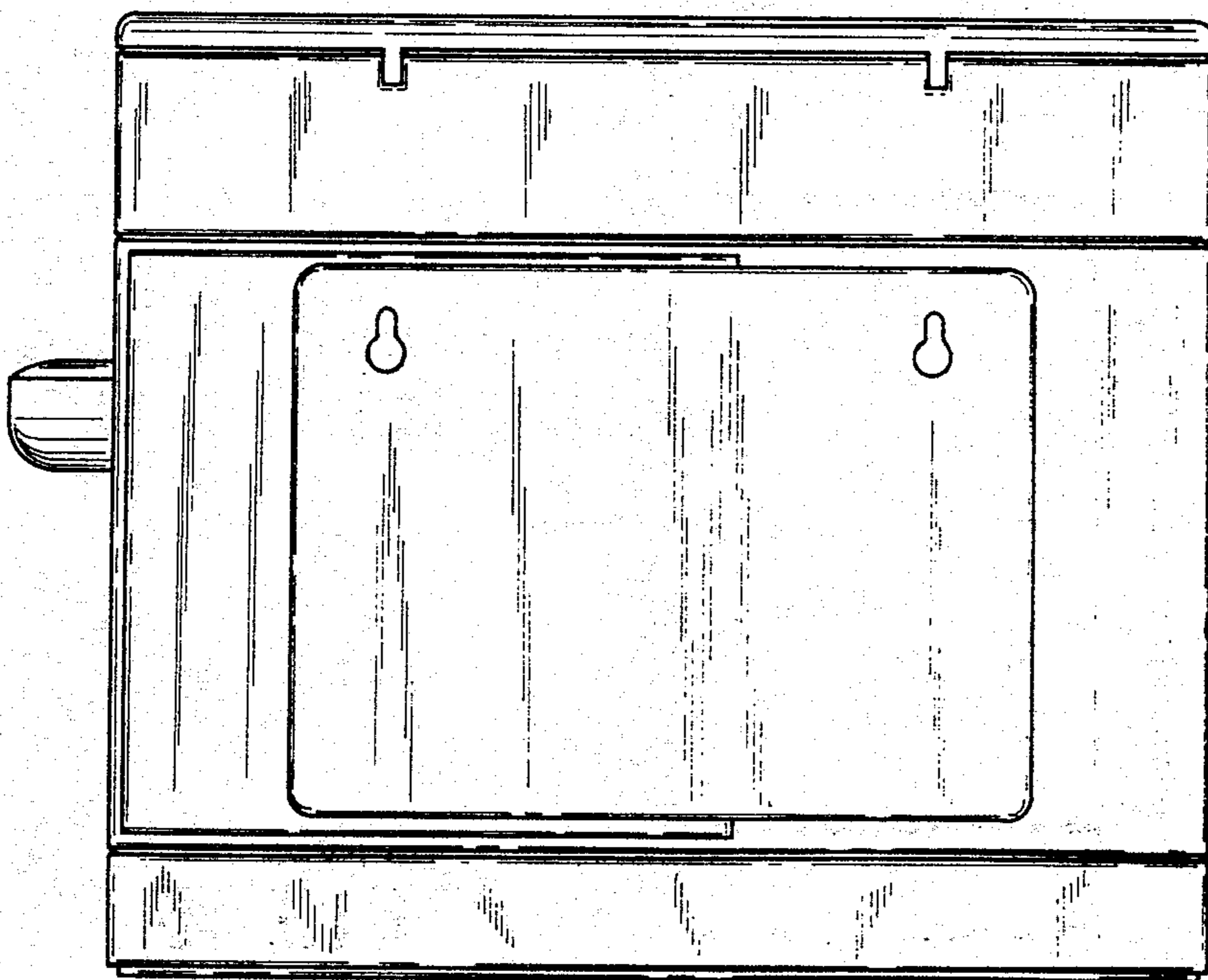


FIG. 3

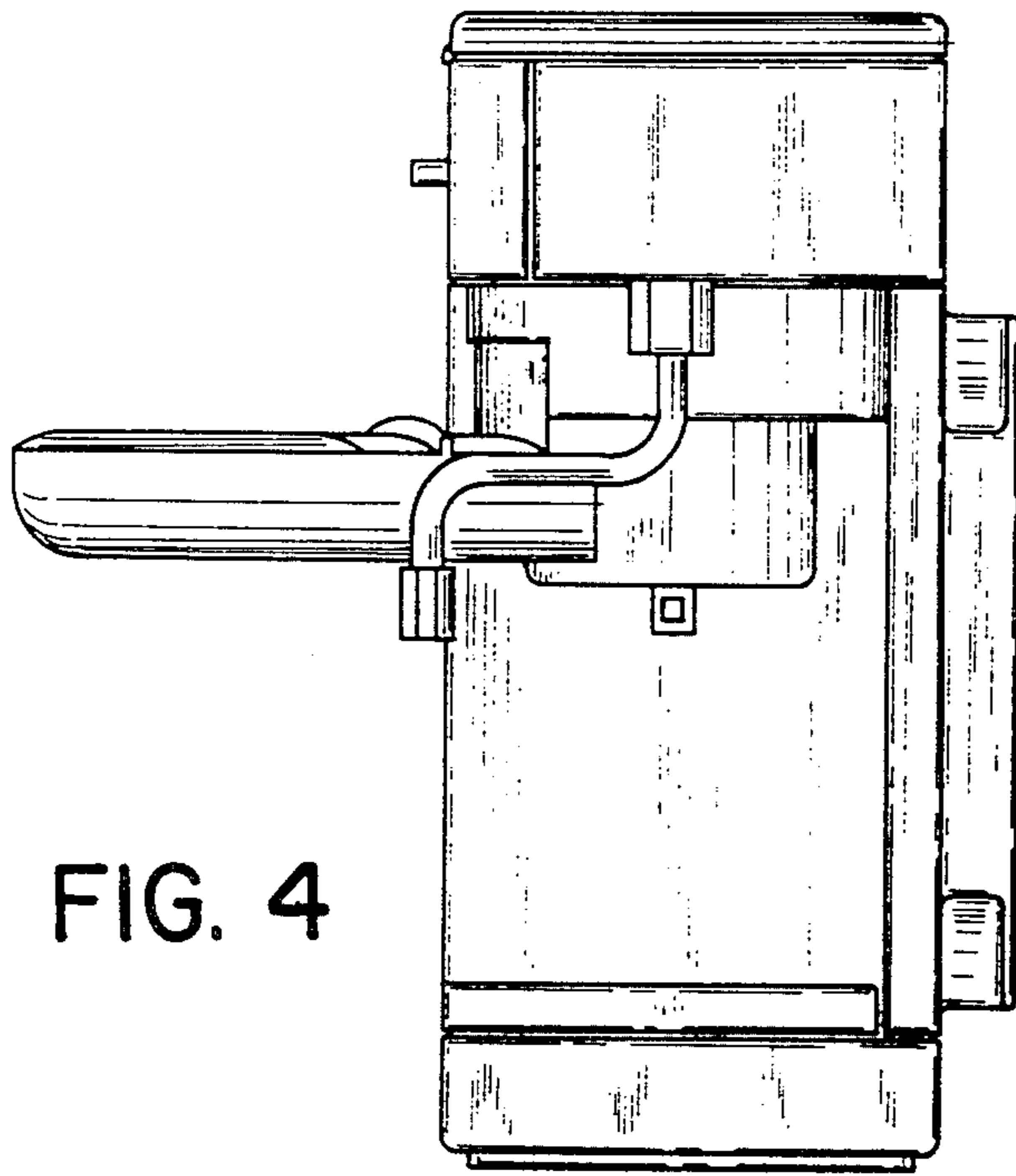


FIG. 4

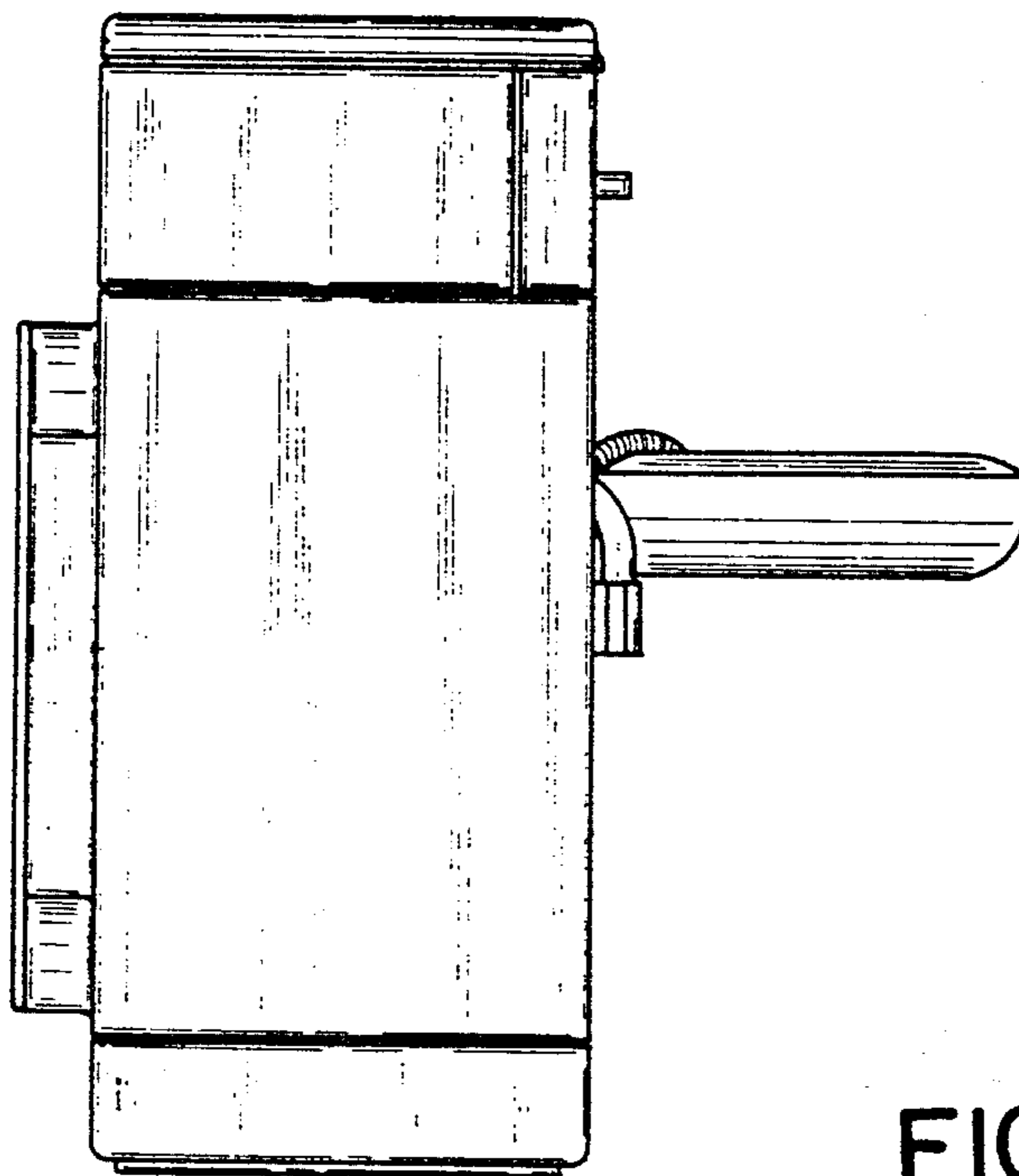


FIG. 5

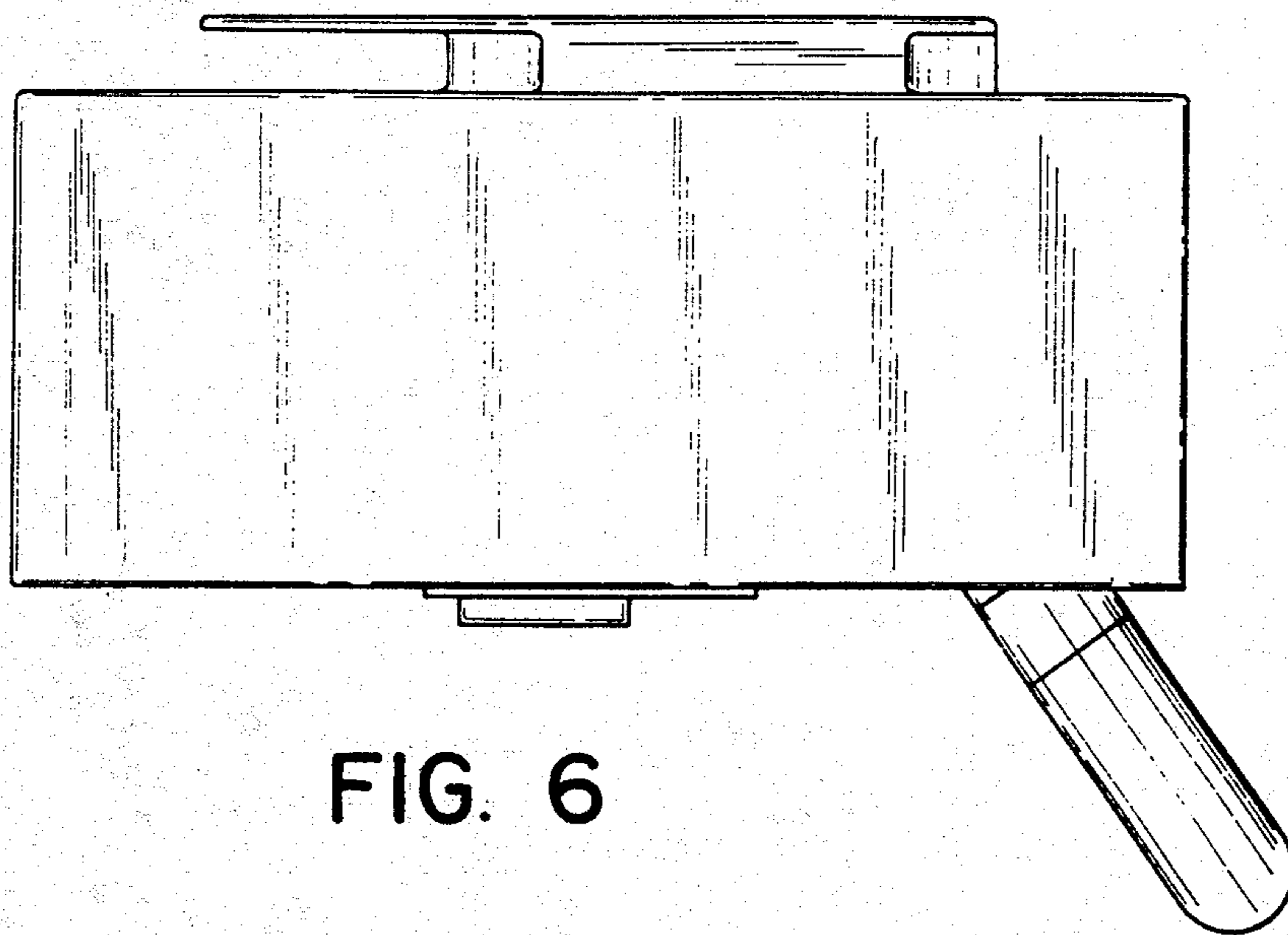


FIG. 6

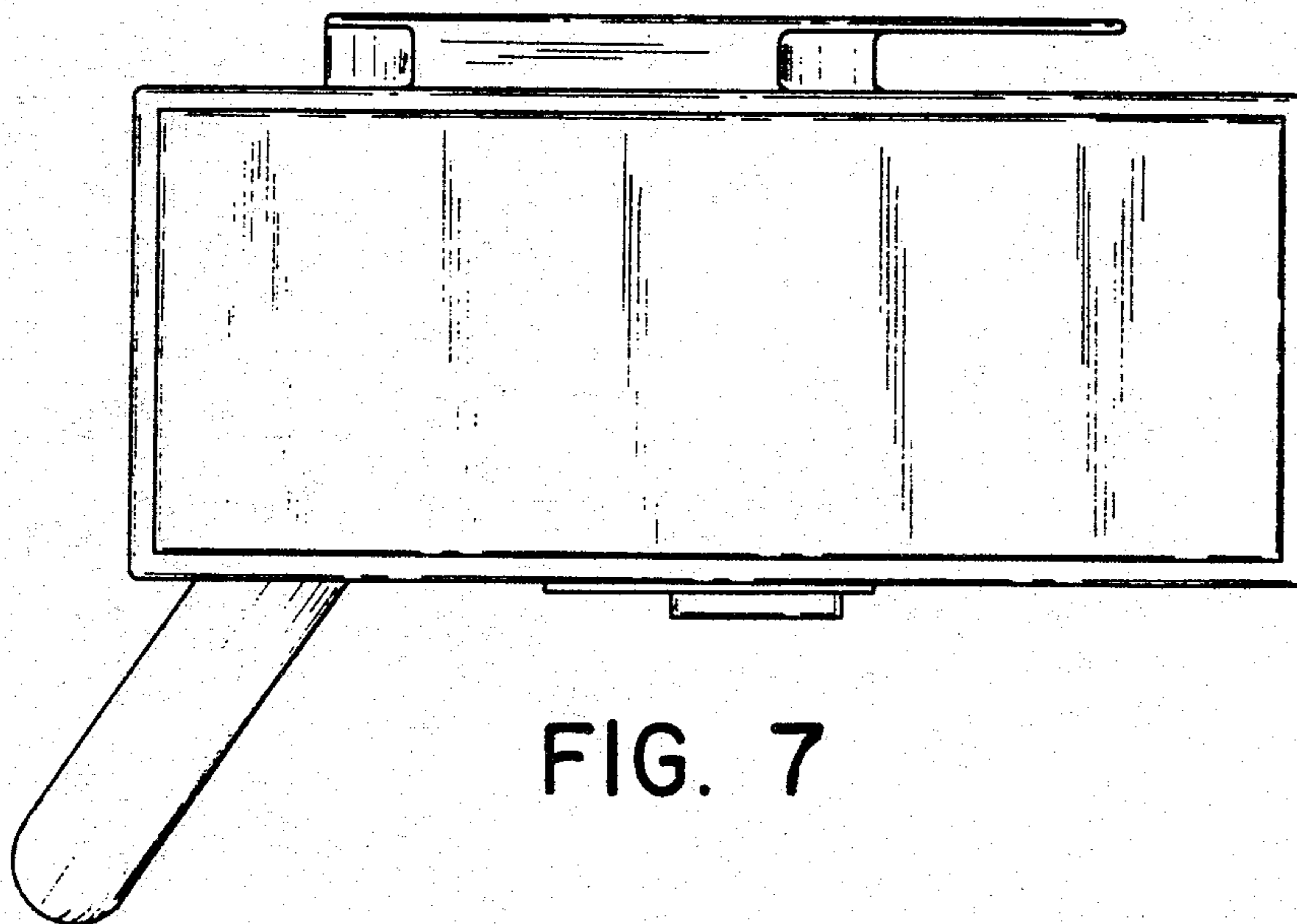


FIG. 7