

[54] RACK TO SUPPORT GROCERY BAGS OR THE LIKE

[76] Inventors: Anthony P. Cusenza, 4956 Park Dr., Carlsbad, Calif. 92008; William J. Riddell, 114 Woodland Dr., Vista, Calif. 92083

[\*\*] Term: 14 Years

[21] Appl. No.: 622,006

[22] Filed: Jun. 18, 1984

[52] U.S. Cl. .... D6/512; D6/566

[58] Field of Search ..... D6/310, 314, 320-323, D6/512, 513, 515, 517, 524-526, 536, 540, 552, 553, 546, 555, 559, 562, 566, 567, 569, 570, 571, 573, 574, 462, 463; 211/13, 32, 3, 38, 40, 41, 46, 48, 59.2, 60.1, 68, 70.5, 70.6, 71, 72, 74, 87, 88, 104, 105, 106, 113, 126, 133, 181, 117

[56] References Cited

U.S. PATENT DOCUMENTS

D. 242,888	1/1977	Mazie et al. ....	D6/566
D. 271,067	10/1983	Prader .....	D6/566
4,029,244	6/1977	Roberts .....	224/42.42 R
4,189,056	2/1980	Majewski .....	211/181
4,226,348	10/1980	Dottor .....	224/42.42
4,234,094	11/1980	Jorgensen .....	D6/566
4,240,549	12/1980	Hogg .....	211/106
4,305,519	12/1981	Gerich .....	220/7

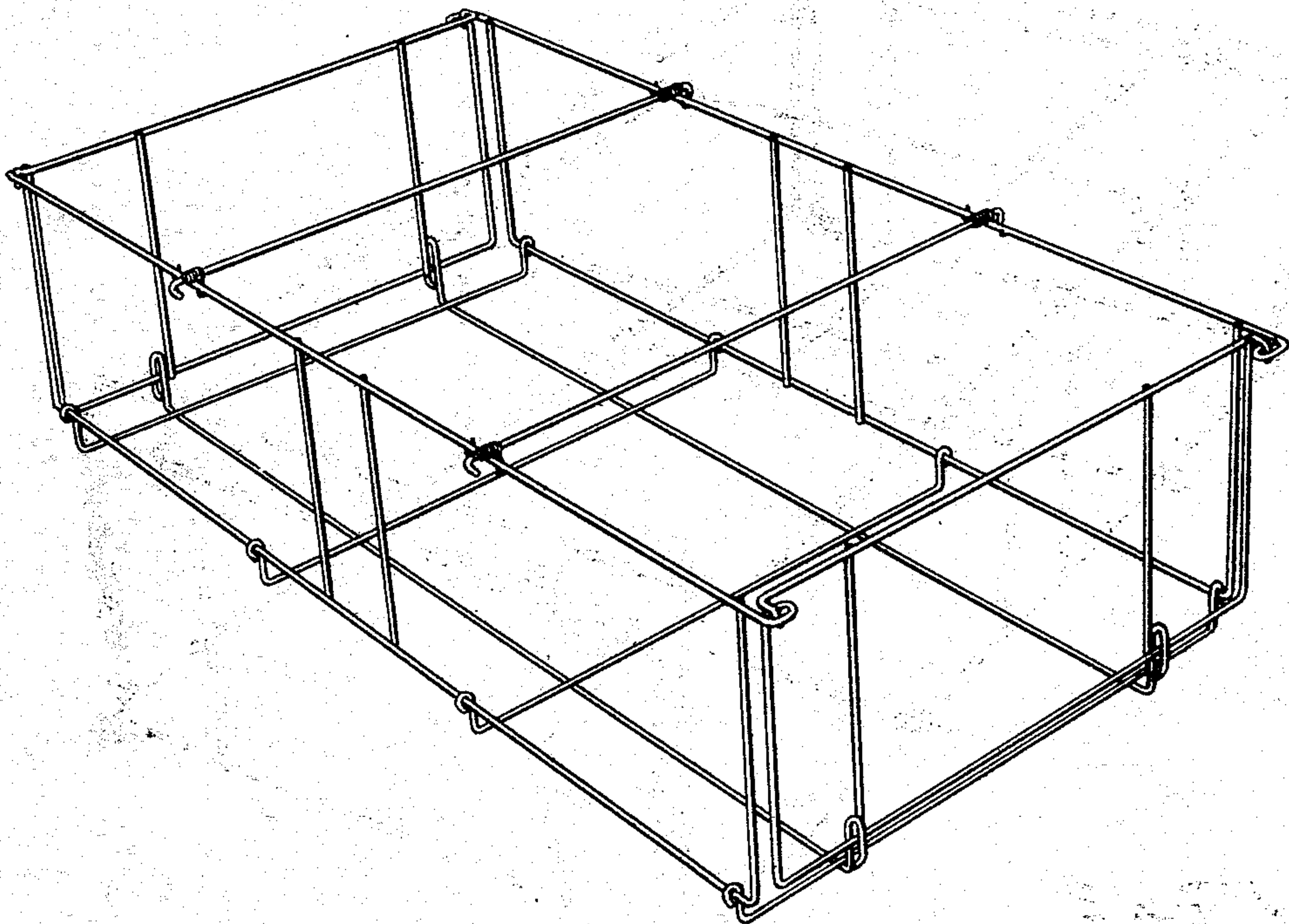
Primary Examiner—B. J. Bullock  
Assistant Examiner—Suzanne N. Gitlin  
Attorney, Agent, or Firm—Duane Bowen

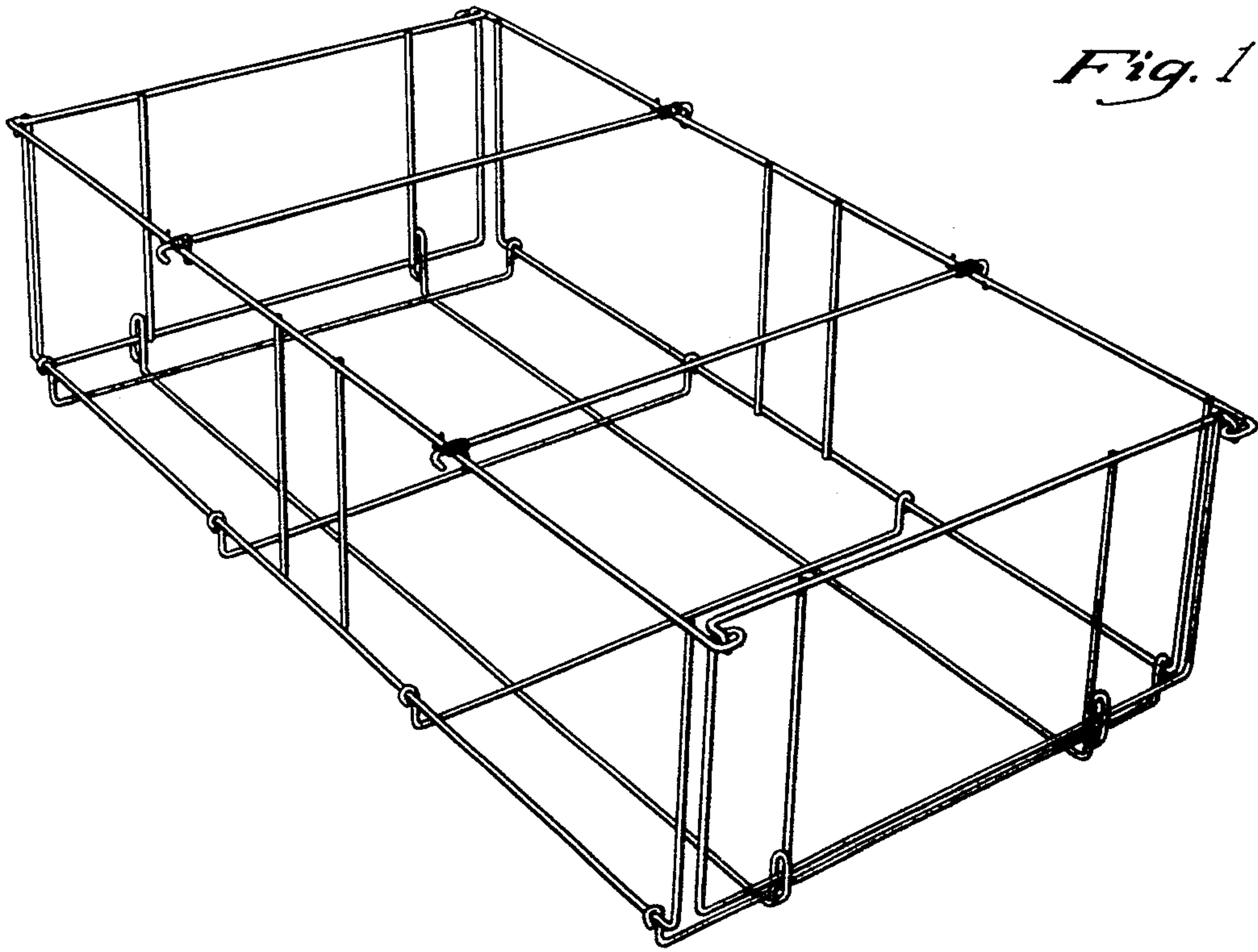
[57] CLAIM

The ornamental design for a rack to support grocery bags or the like, as shown.

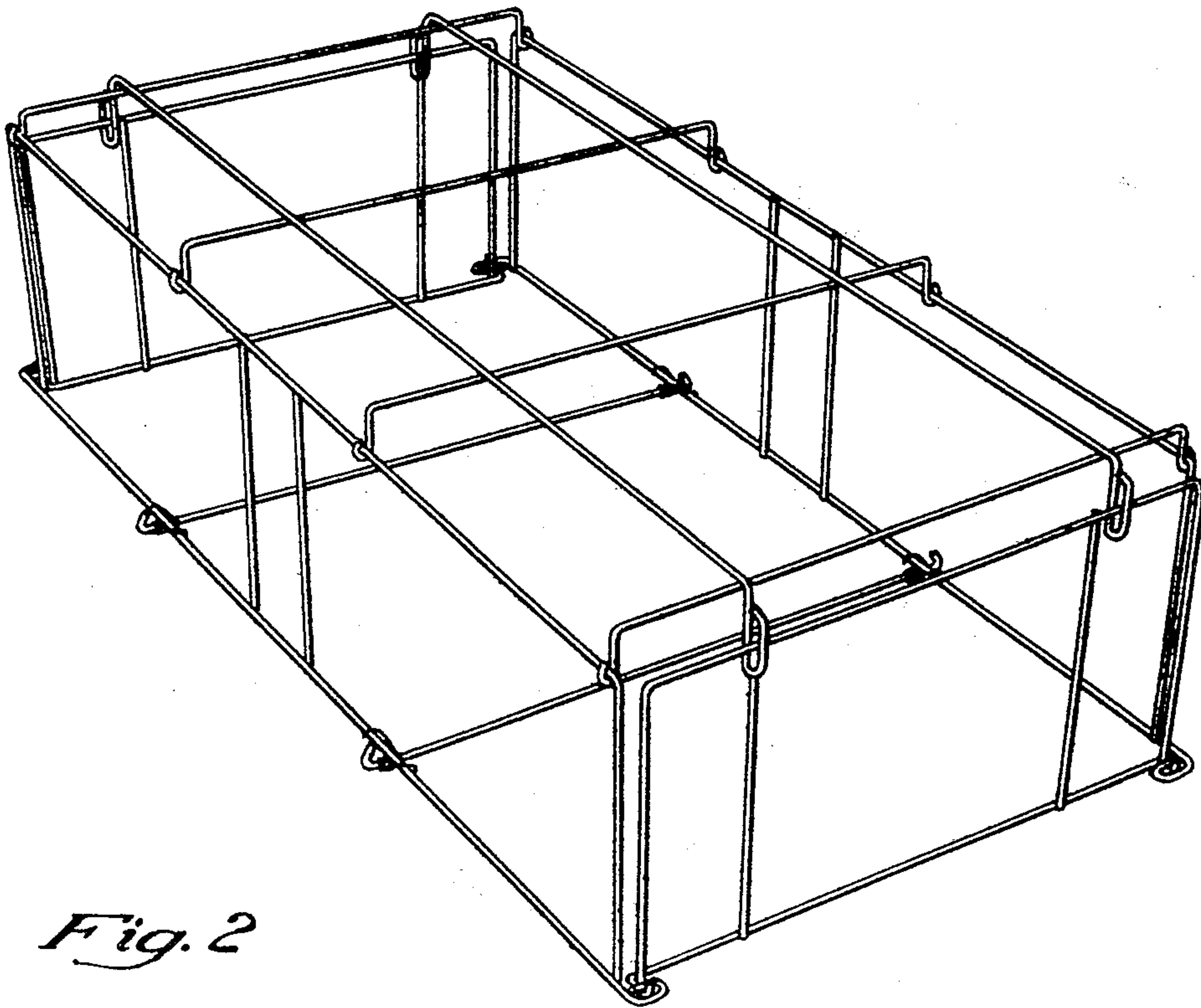
DESCRIPTION

FIG. 1 is a top perspective view of a rack to support grocery bags or the like showing our new design; FIG. 2 is a bottom perspective view thereof; FIG. 3 is a fragmentary perspective view thereof.



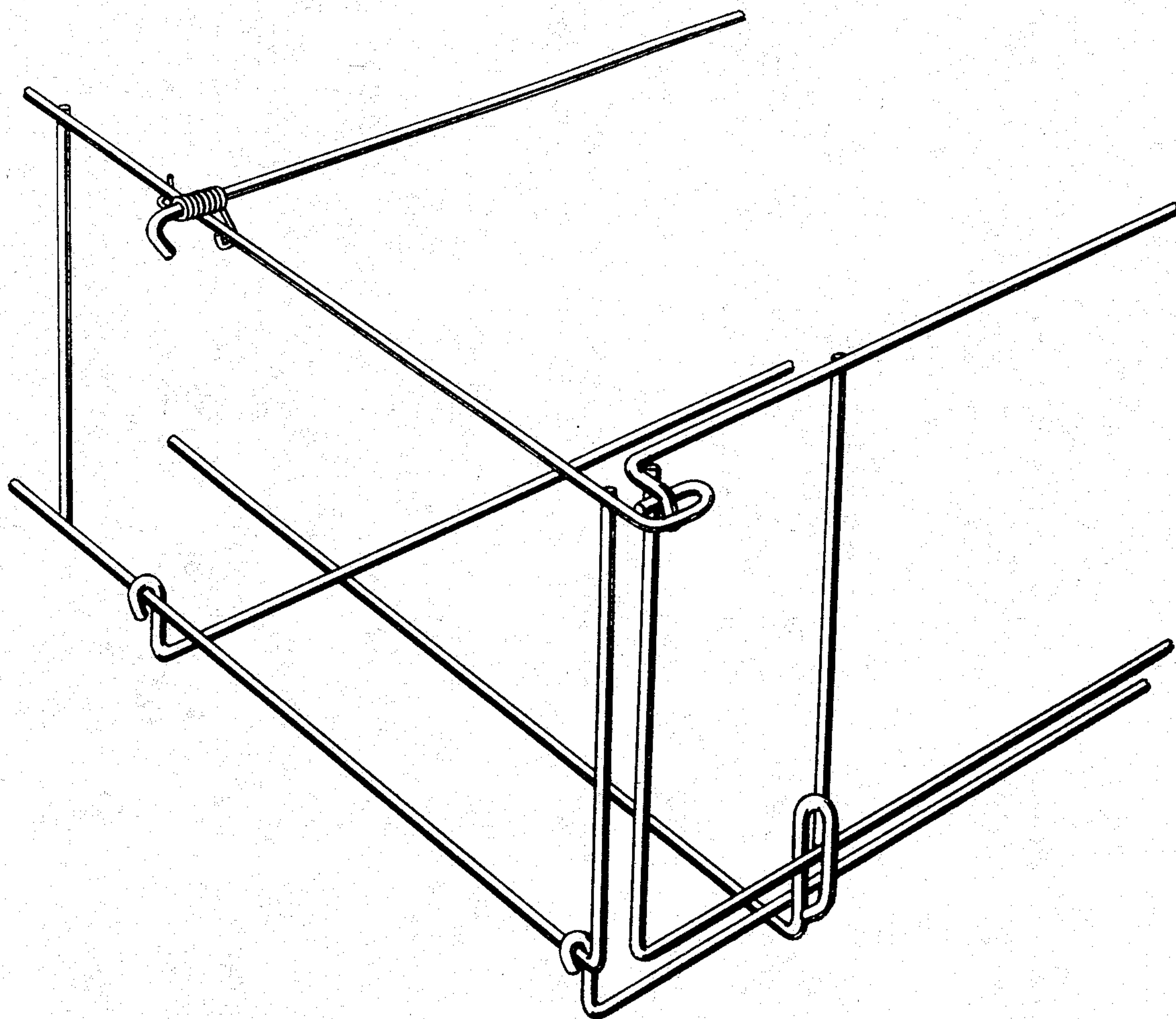


*Fig. 1*



*Fig. 2*





*Fig. 3*