

[54] STORAGE COMPARTMENT FOR A BABY CARRIER SEAT

[75] Inventors: Robert D. Wise, Akron; Robert L. Quinlan, Barberton, both of Ohio

[73] Assignee: Gerber Products Company, Fremont, Mich.

[**] Term: 14 Years

[21] Appl. No.: 693,502

[22] Filed: Jan. 22, 1985

[52] U.S. Cl. D6/509; D3/30.1

[58] Field of Search D12/133; D3/30.1, 31; D6/509, 510; 297/377

[56] References Cited

U.S. PATENT DOCUMENTS

D. 279,061 6/1985 Zabelinsky D6/509

OTHER PUBLICATIONS

1983/1984 Best Catalog, ©Sep. 1983, p. 460, Built in Pouch of Century Kanga-Rocka-Roo Baby Carrier, center of page.

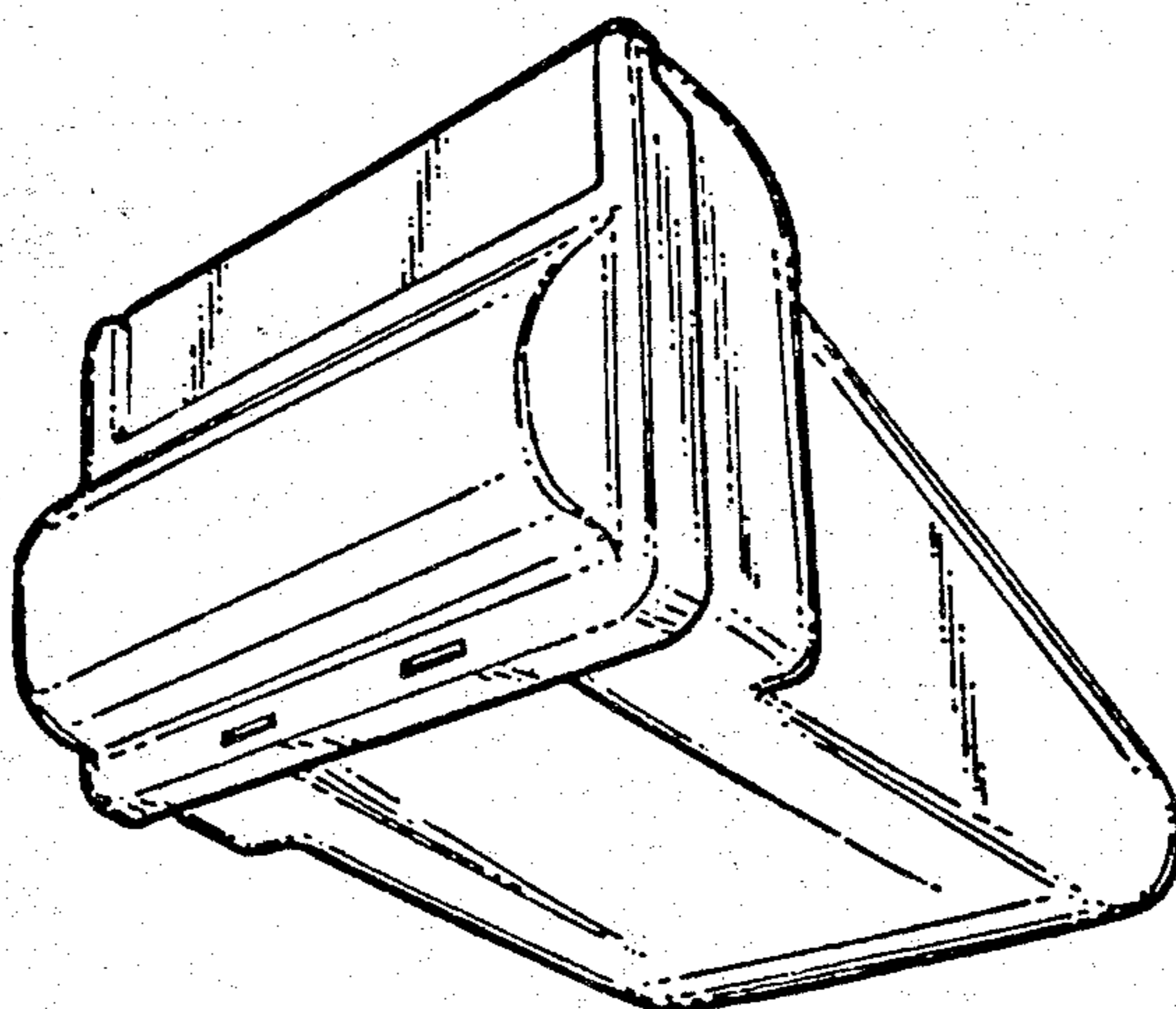
Primary Examiner—James M. Gandy
Attorney, Agent, or Firm—Townsend and Townsend

[57] CLAIM

The ornamental design for a storage compartment for a baby carrier seat, as shown.

DESCRIPTION

FIG. 1 is a perspective view of a storage compartment for a baby carrier seat;
FIG. 2 is a top plan view thereof;
FIG. 3 is a front elevational view thereof;
FIG. 4 is a left side elevational view thereof;
FIG. 5 is a rear elevational view thereof; and
FIG. 6 is a bottom plan view thereof.



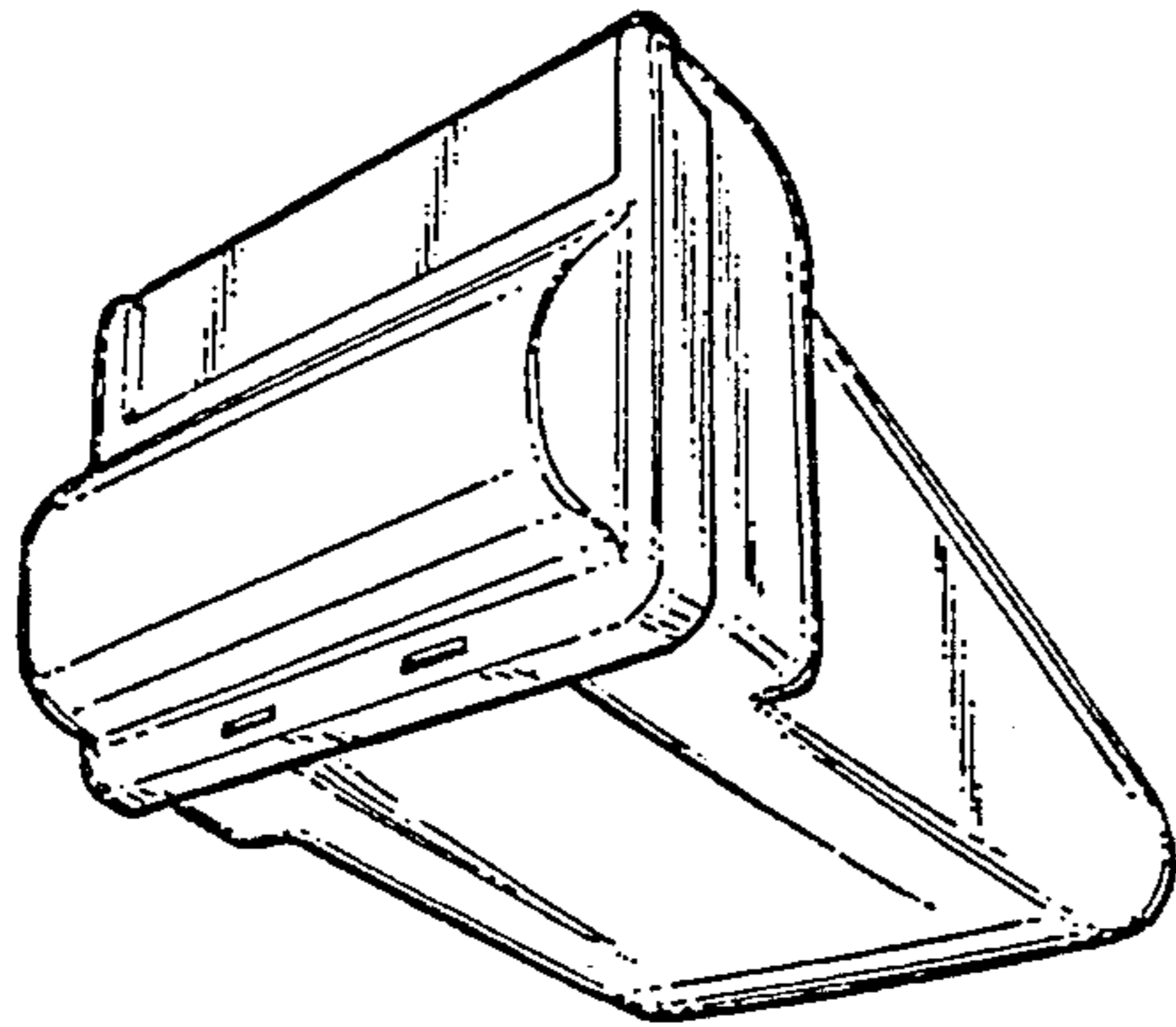


FIG. 1.

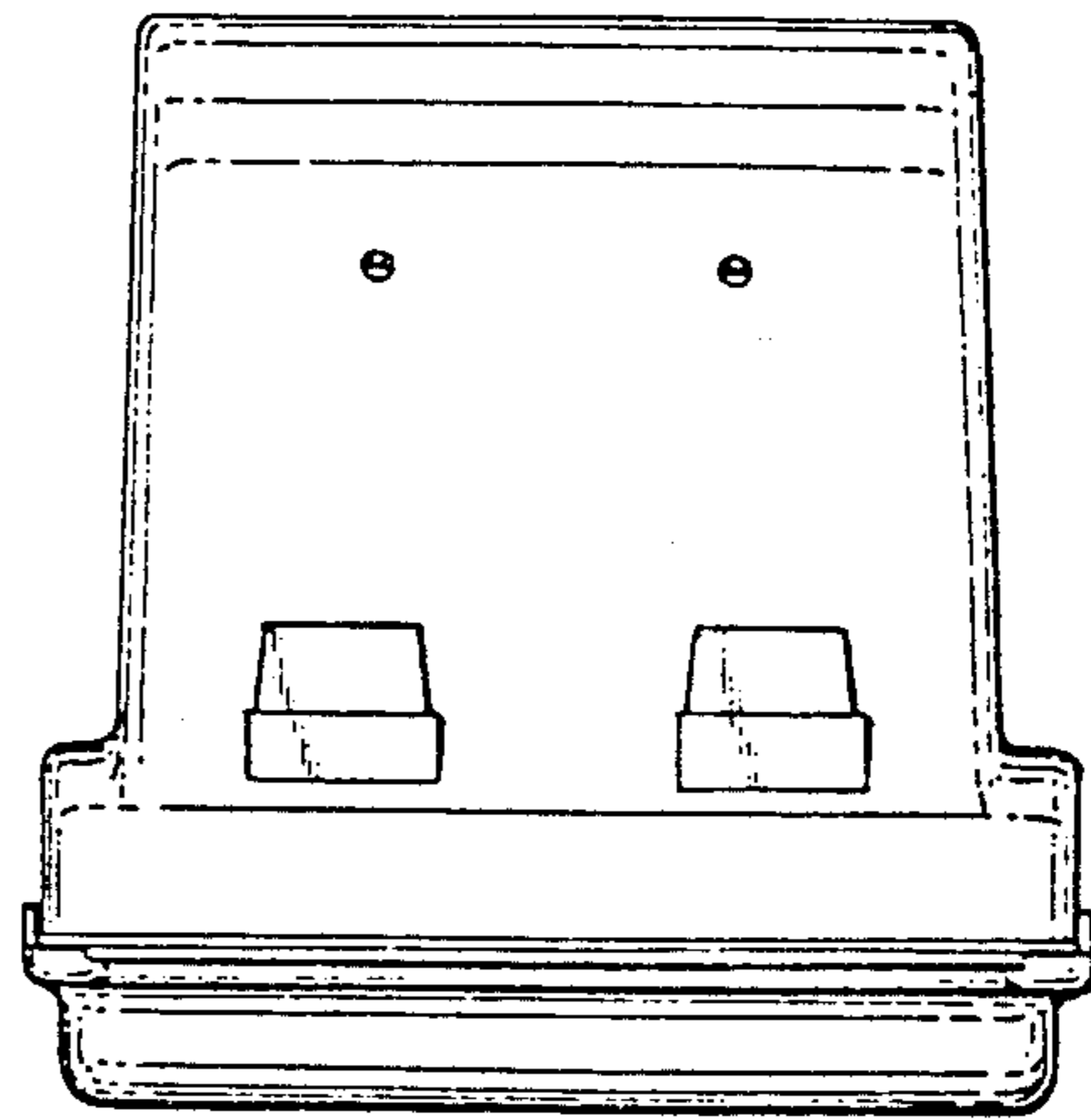


FIG. 2.

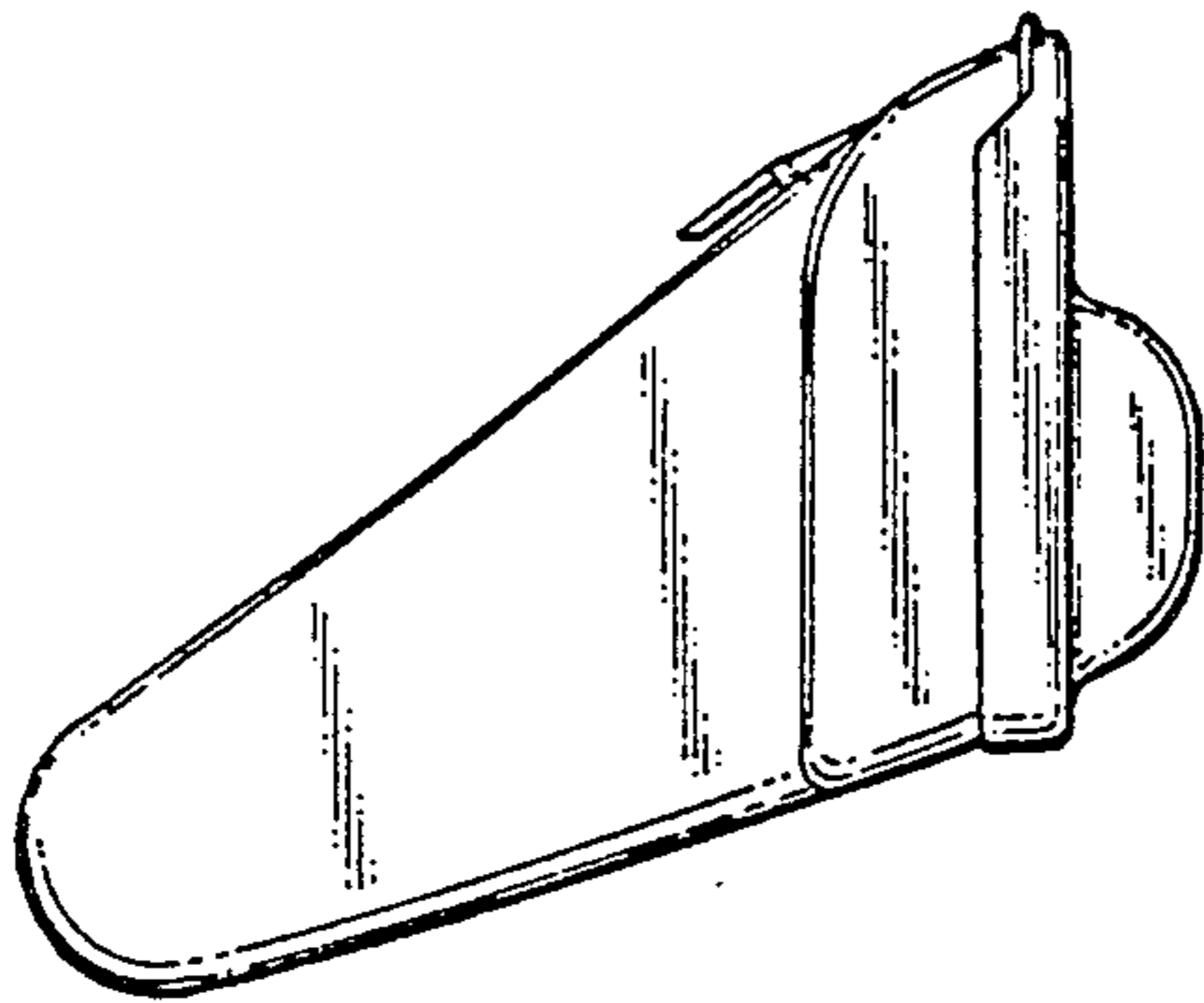


FIG. 4.

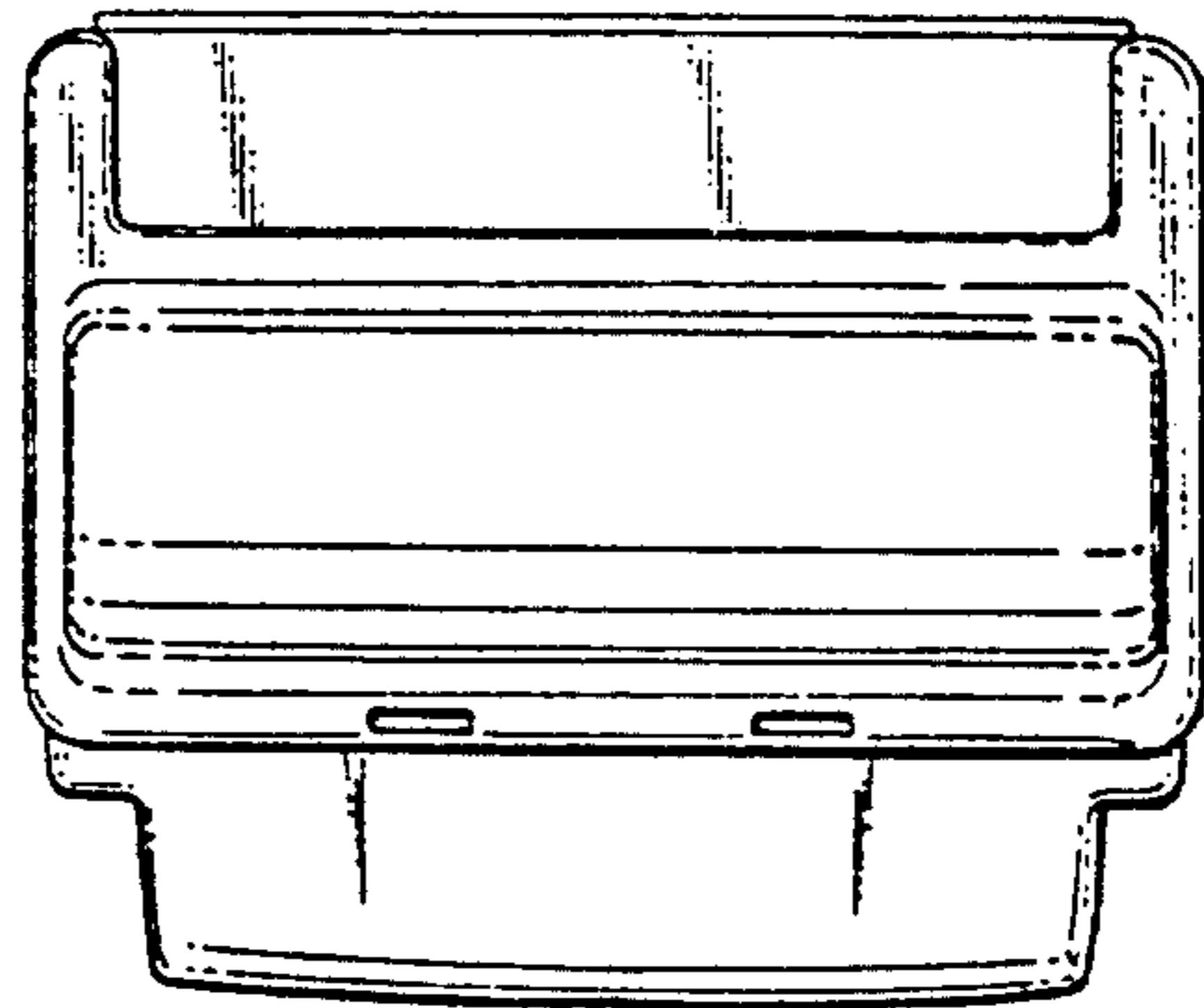


FIG. 3.

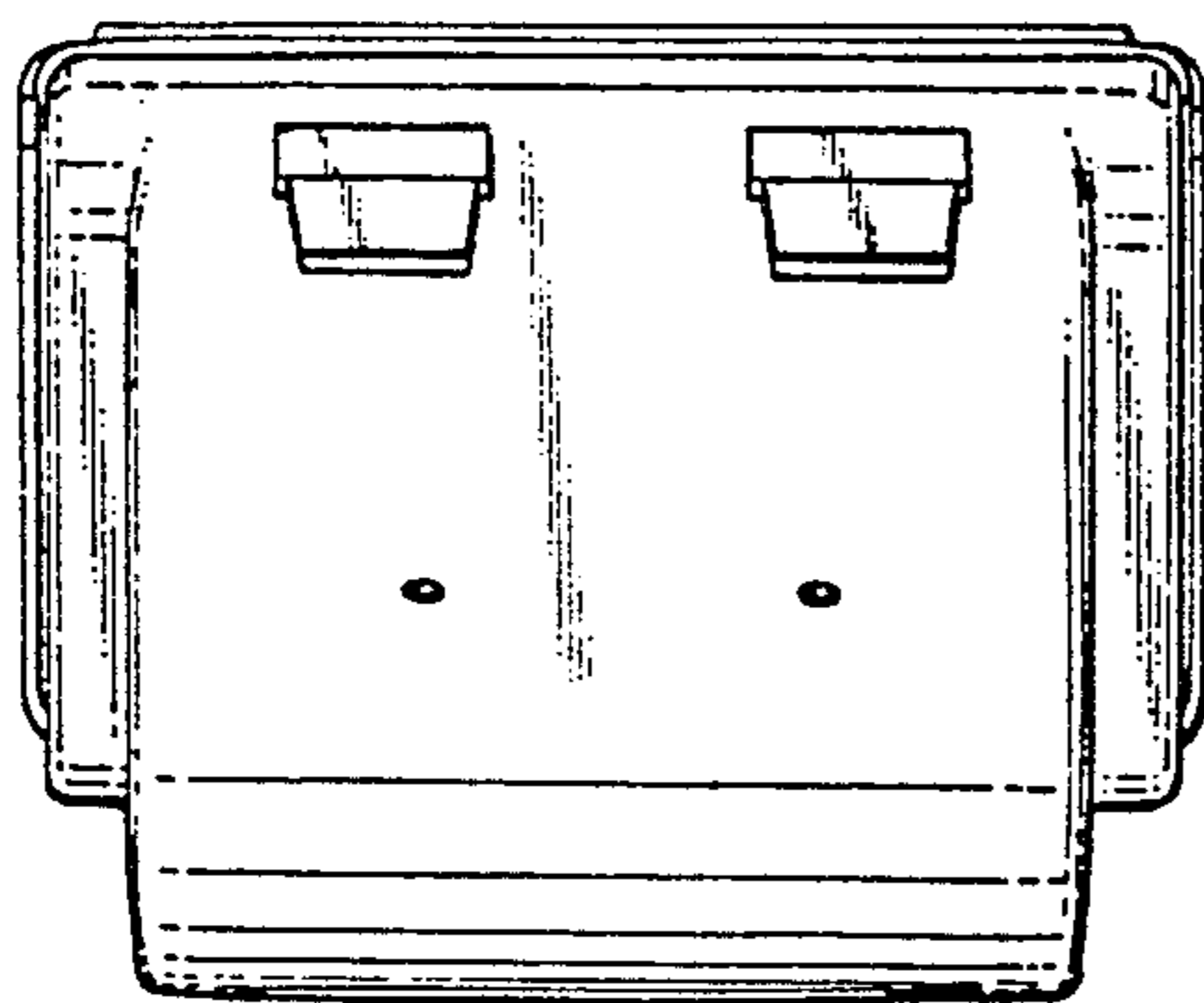


FIG. 5.

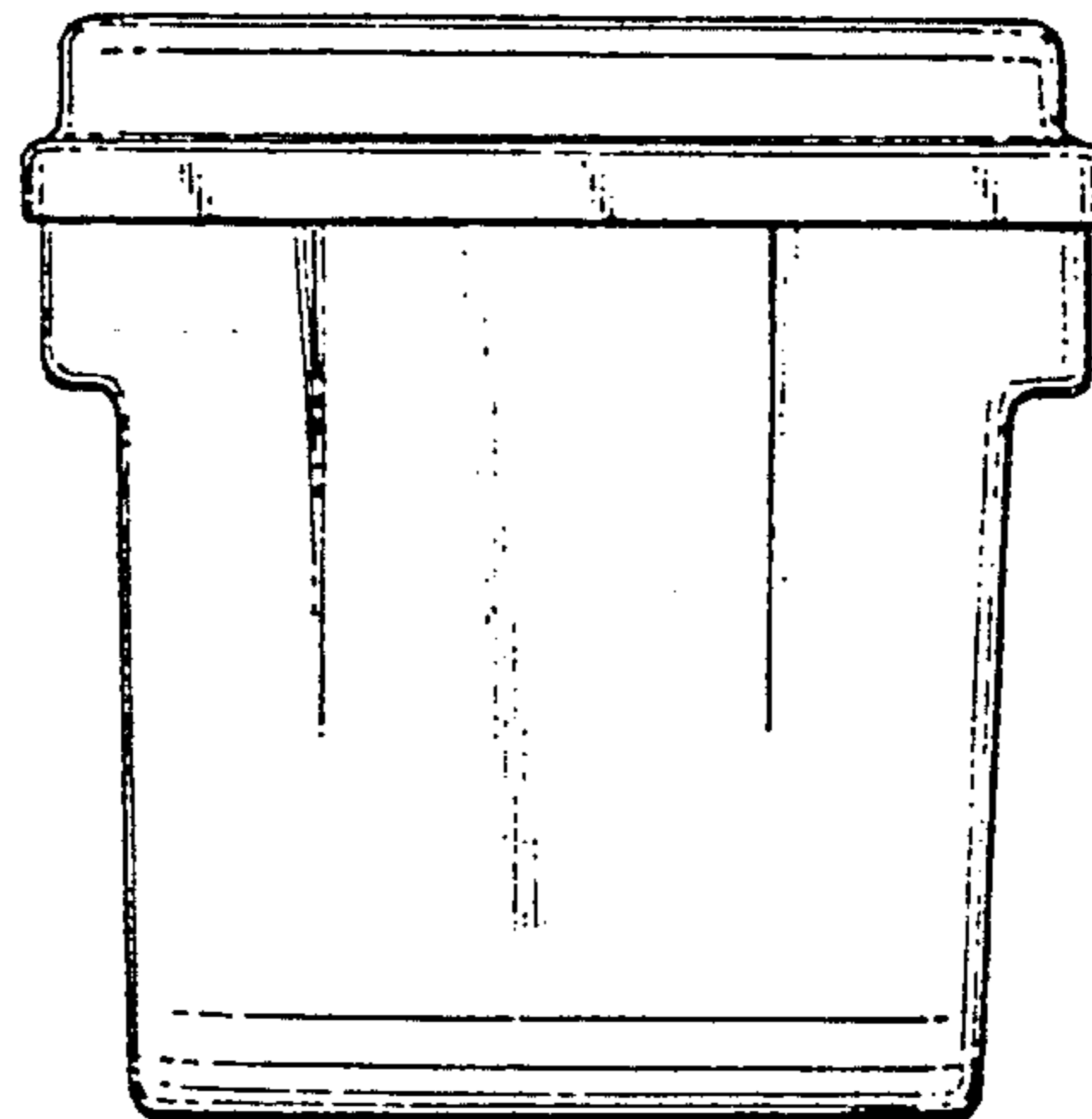


FIG. 6.