

[54] CONVERTIBLE STORAGE CART AND LOUNGE SEAT FOR USE PRIMARILY ON A BEACH

[76] Inventor: Lauri A. Stenwall, 28 White Ter., Ramsey, N.J. 07446

[**] Term: 14 Years

[21] Appl. No.: 569,899

[22] Filed: Jan. 11, 1984

[52] U.S. Cl. D6/336; D6/361; D34/24

[58] Field of Search D6/361, 370, 372, 373, D6/368, 336; D34/24, 26

[56] References Cited

U.S. PATENT DOCUMENTS

- D. 80,055 12/1929 Scott D6/361
- D. 145,655 10/1946 Brantz D6/370 X
- D. 194,461 1/1963 Schultz D6/361
- D. 235,494 6/1975 Von Juergenson D6/368
- D. 278,373 4/1985 Rousseau D34/26
- 2,567,626 9/1951 Trouslot, Jr. D6/361 X

- 3,102,733 9/1963 Burnett D34/26 X
- 3,112,042 11/1963 Leshner D34/26 X
- 4,469,341 9/1984 Creim D34/26 X

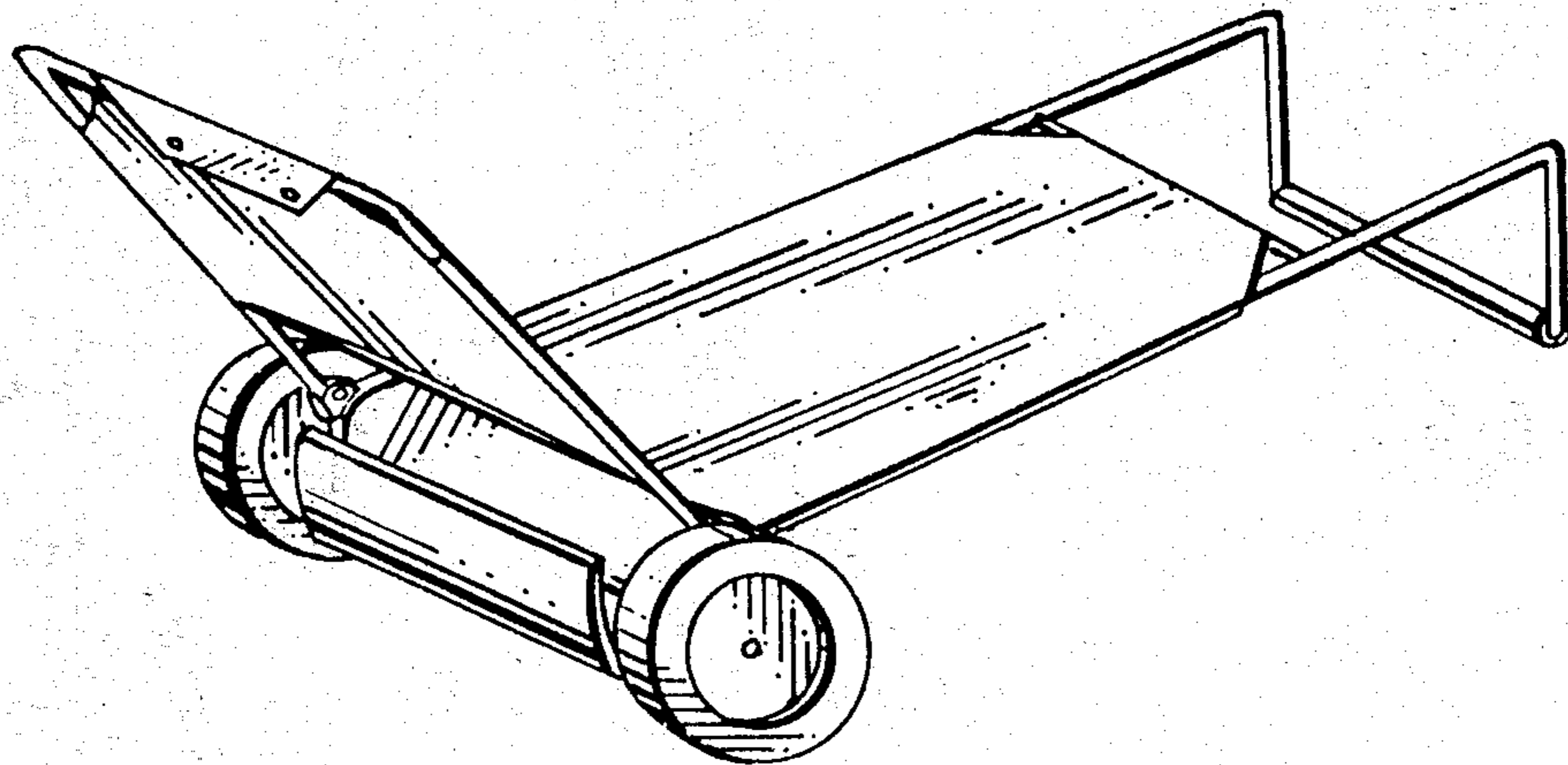
Primary Examiner—Bruce W. Dunkins

[57] CLAIM

The ornamental design for a convertible storage cart and lounge seat for use primarily on a beach, as shown and described.

DESCRIPTION

FIG. 1 is a perspective view of a convertible storage cart and lounge seat for use primarily on a beach showing my design in position for use as a lounge seat; FIG. 2 is a bottom plan view; FIG. 3 is a top plan view; and FIG. 4 is an elevational view showing the side opposite that disclosed in FIG. 1; FIG. 5 is a side elevational view of a convertible storage cart and lounge seat for use primarily on a beach showing my design in upright position for use as a cart; and FIG. 6 is a side elevational view of the article as seen in FIG. 5 but in folded condition.



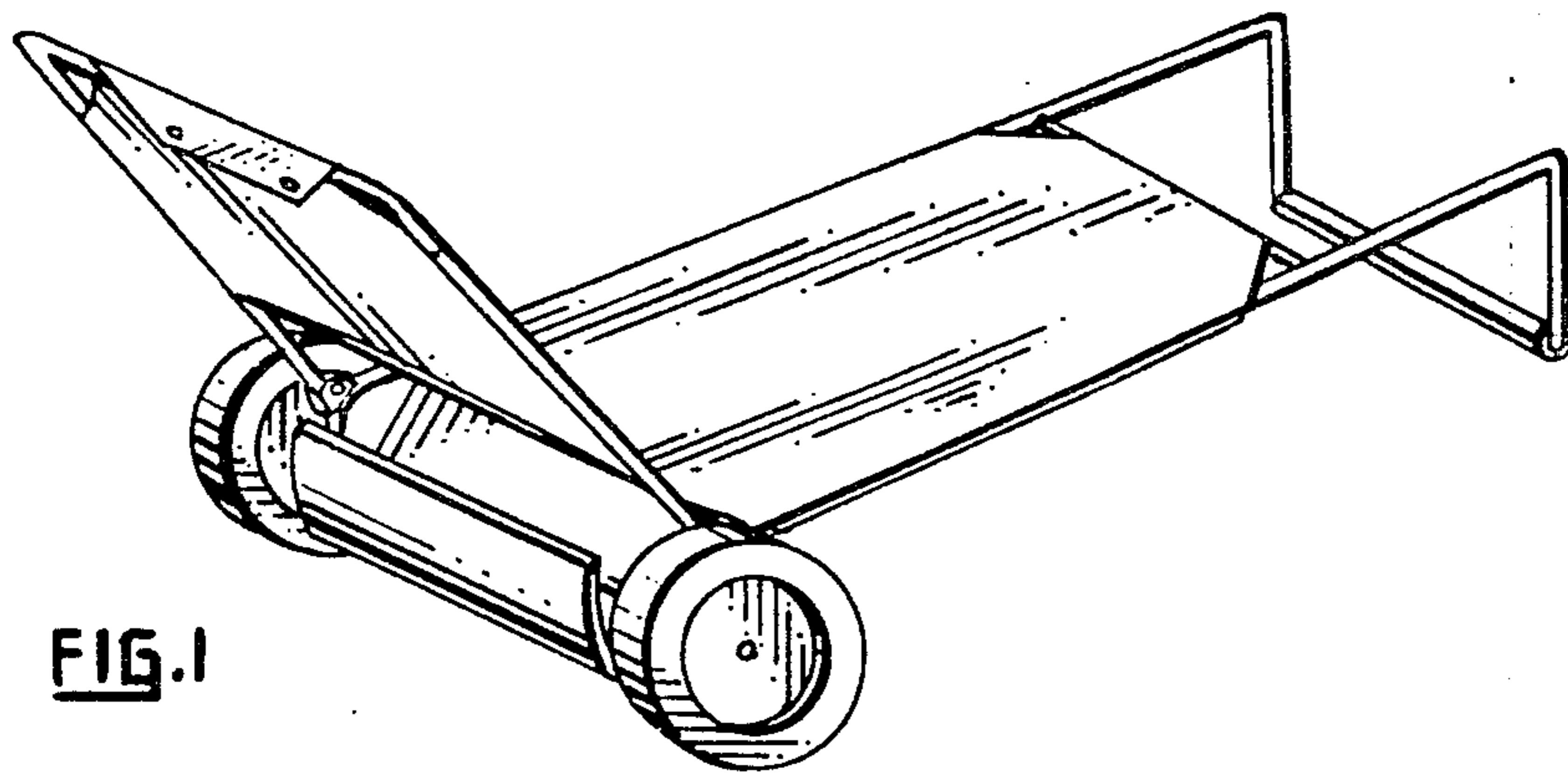


FIG. 1

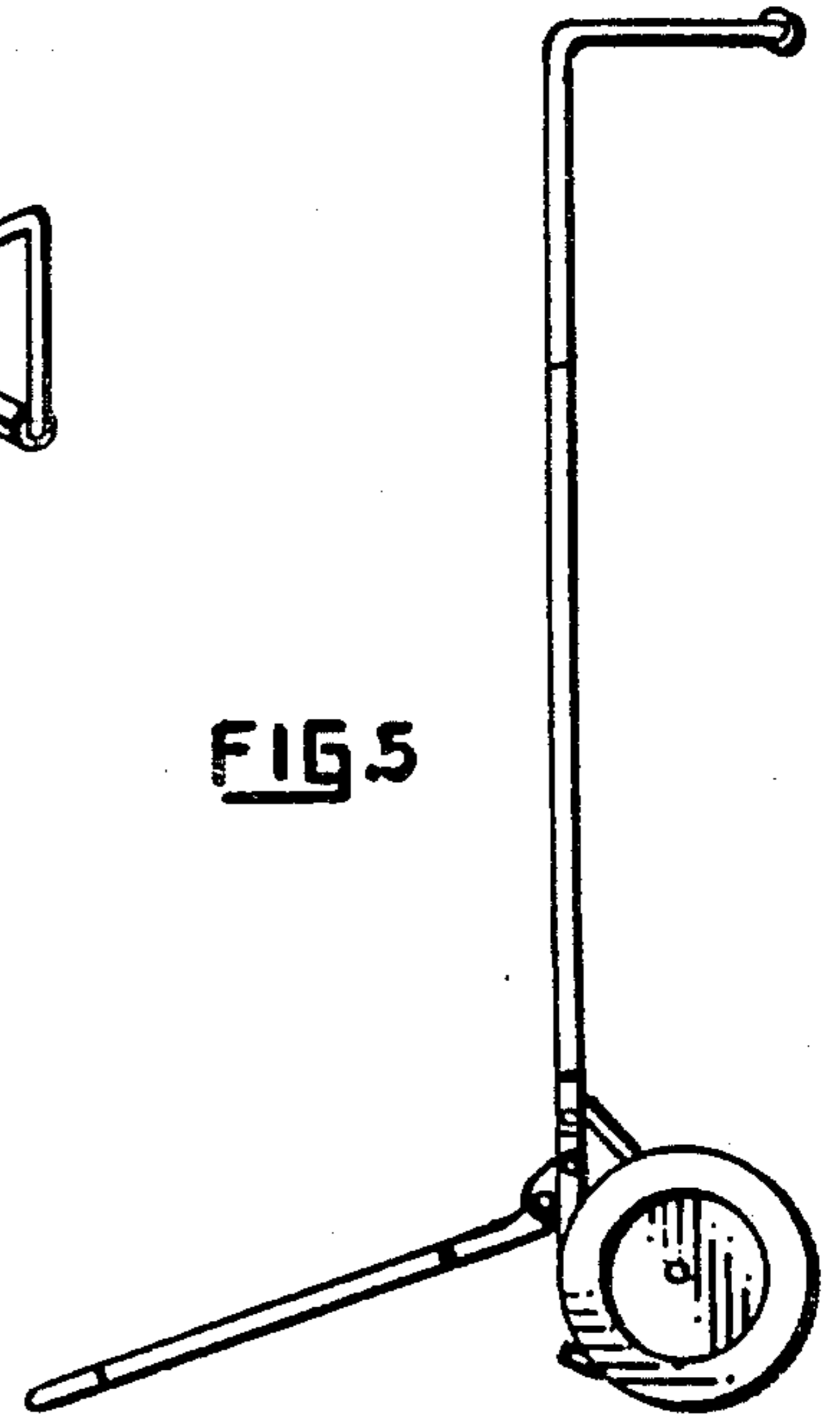


FIG. 5

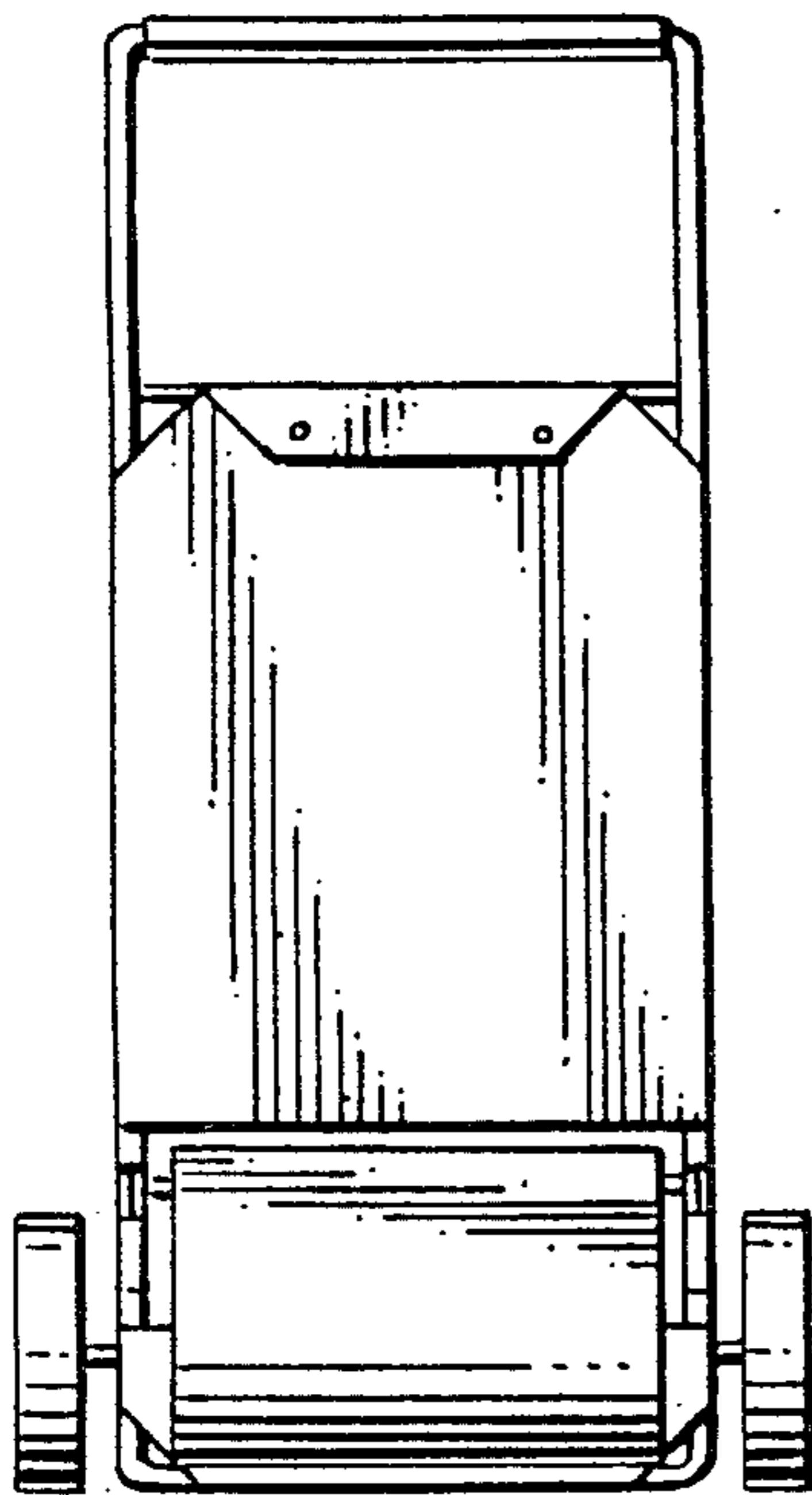


FIG. 2

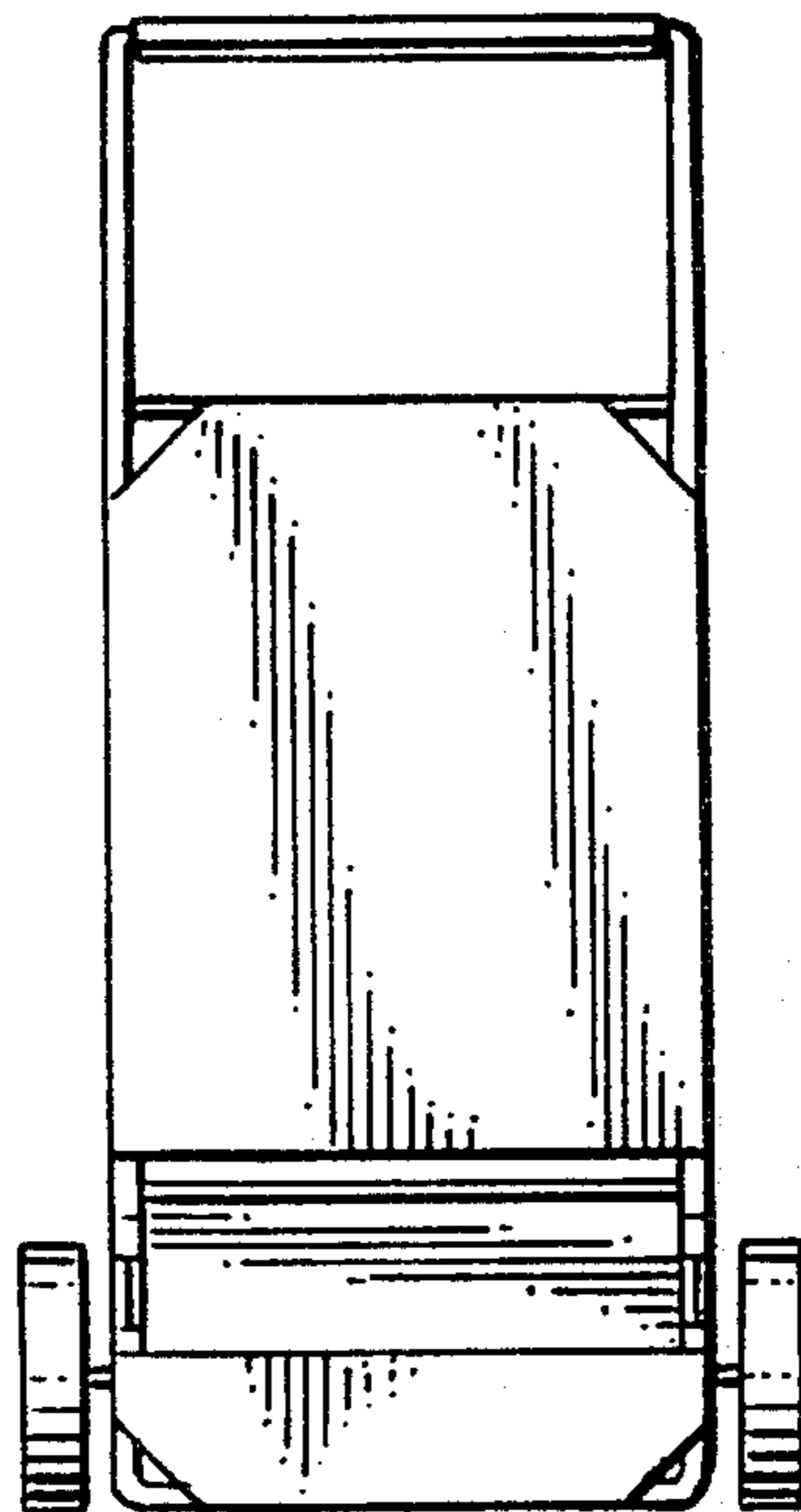


FIG. 3

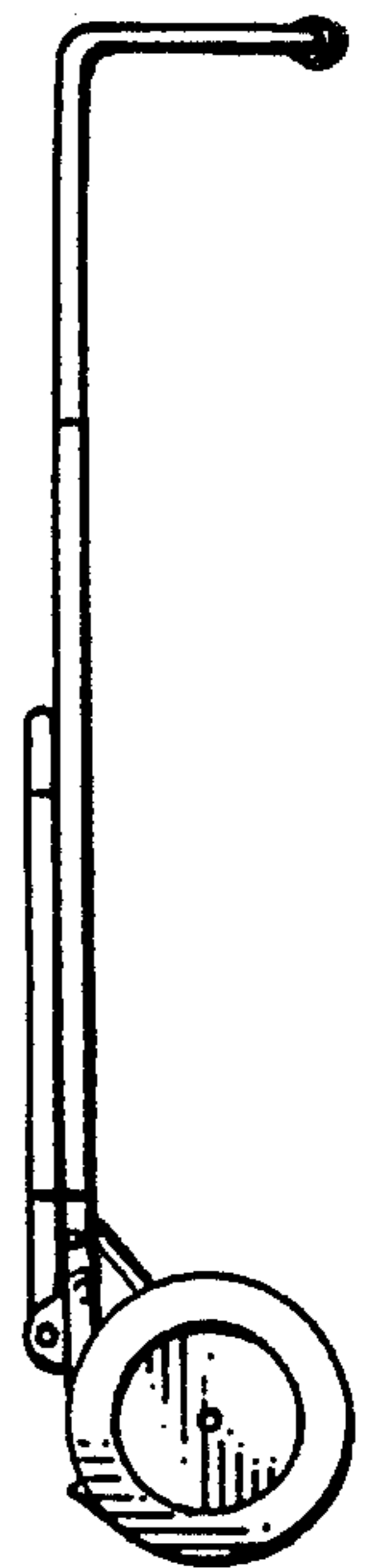


FIG. 6

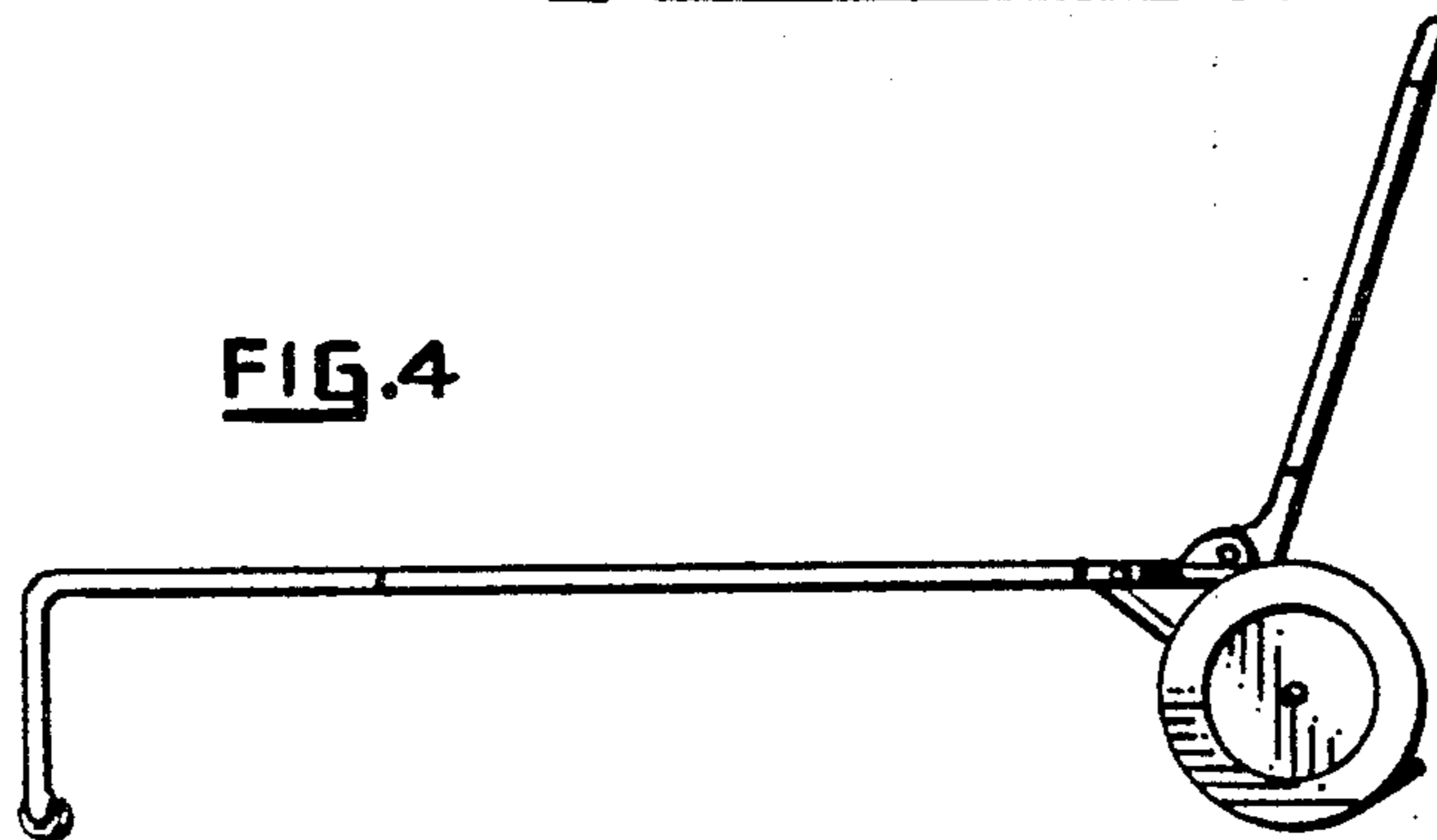


FIG. 4