

[54] TYPEWRITER CASE

[75] Inventors: Tamao Ikuta, Yokohama; Seiichi Omino, Hoya, both of Japan

[73] Assignee: Canon Kabushiki Kaisha, Tokyo, Japan

[**] Term: 14 Years

[21] Appl. No.: 603,930

[22] Filed: Apr. 26, 1984

[30] Foreign Application Priority Data

Nov. 1, 1983 [JP] Japan 58-47428
[52] U.S. Cl. D3/73; D3/78
[58] Field of Search D3/30.1, 72, 73, 76, D3/78; 198/115, 117, 118; 312/244

[56] References Cited

U.S. PATENT DOCUMENTS

D. 221,317 7/1971 Muller D3/73
D. 226,292 2/1973 Bienkowski et al. D3/73

D. 258,851 4/1981 Boot D3/72
D. 260,454 9/1981 Pepicelli D3/73
D. 271,725 12/1983 Sherer D3/73

Primary Examiner—George P. Word
Attorney, Agent, or Firm—Fitzpatrick, Cella, Harper & Scinto

[57] CLAIM

The ornamental design for a typewriter case, as shown and described.

DESCRIPTION

FIG. 1 is a front elevational view of a typewriter case showing our new design;
FIG. 2 is a rear elevational view thereof;
FIG. 3 is a top plan view thereof;
FIG. 4 is a bottom plan view thereof;
FIG. 5 is a side elevational view as seen from the left of FIG. 1;
FIG. 6 is a side elevational view as seen from the right of FIG. 1; and
FIG. 7 is a perspective view thereof in partially open position.

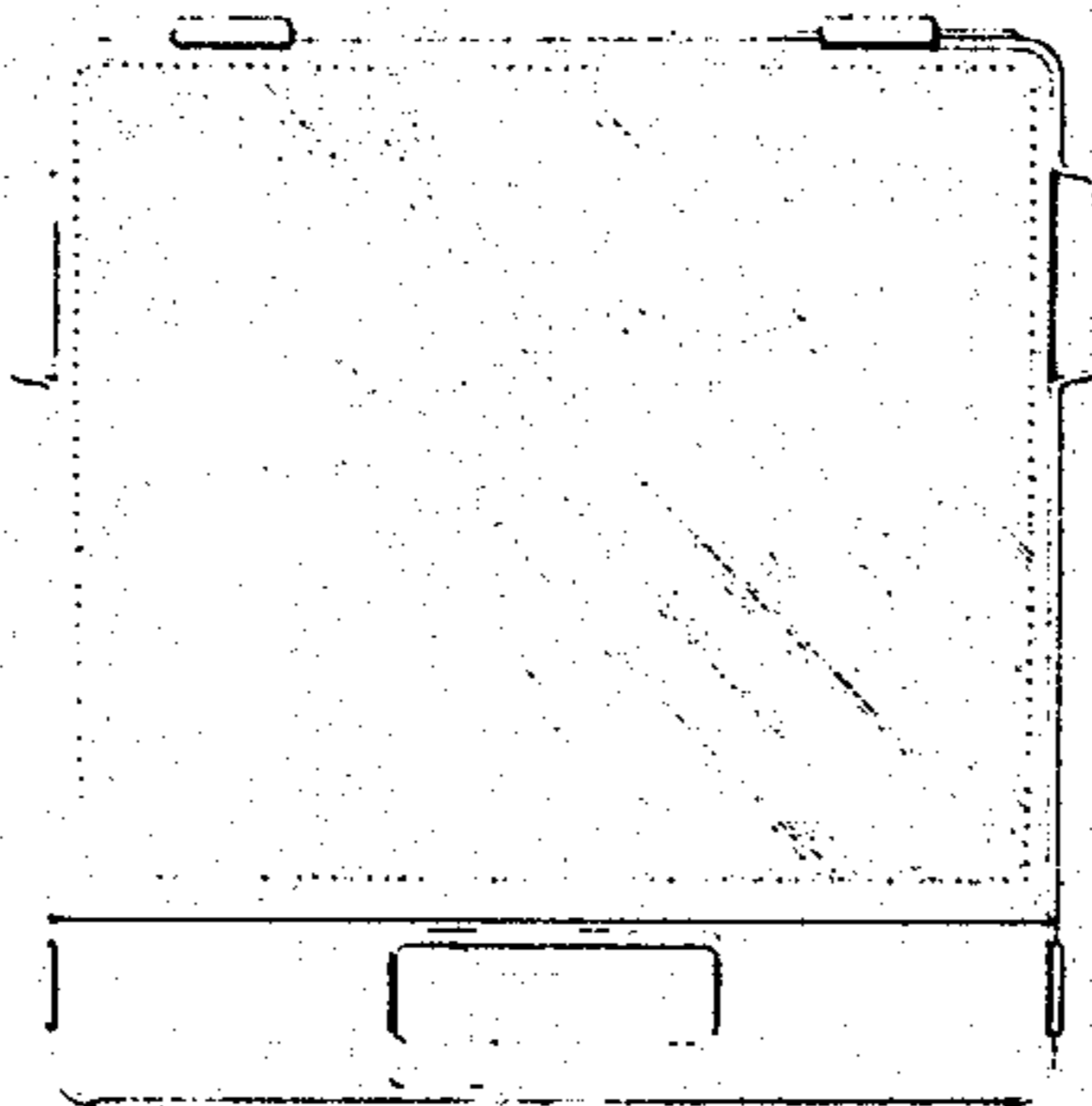
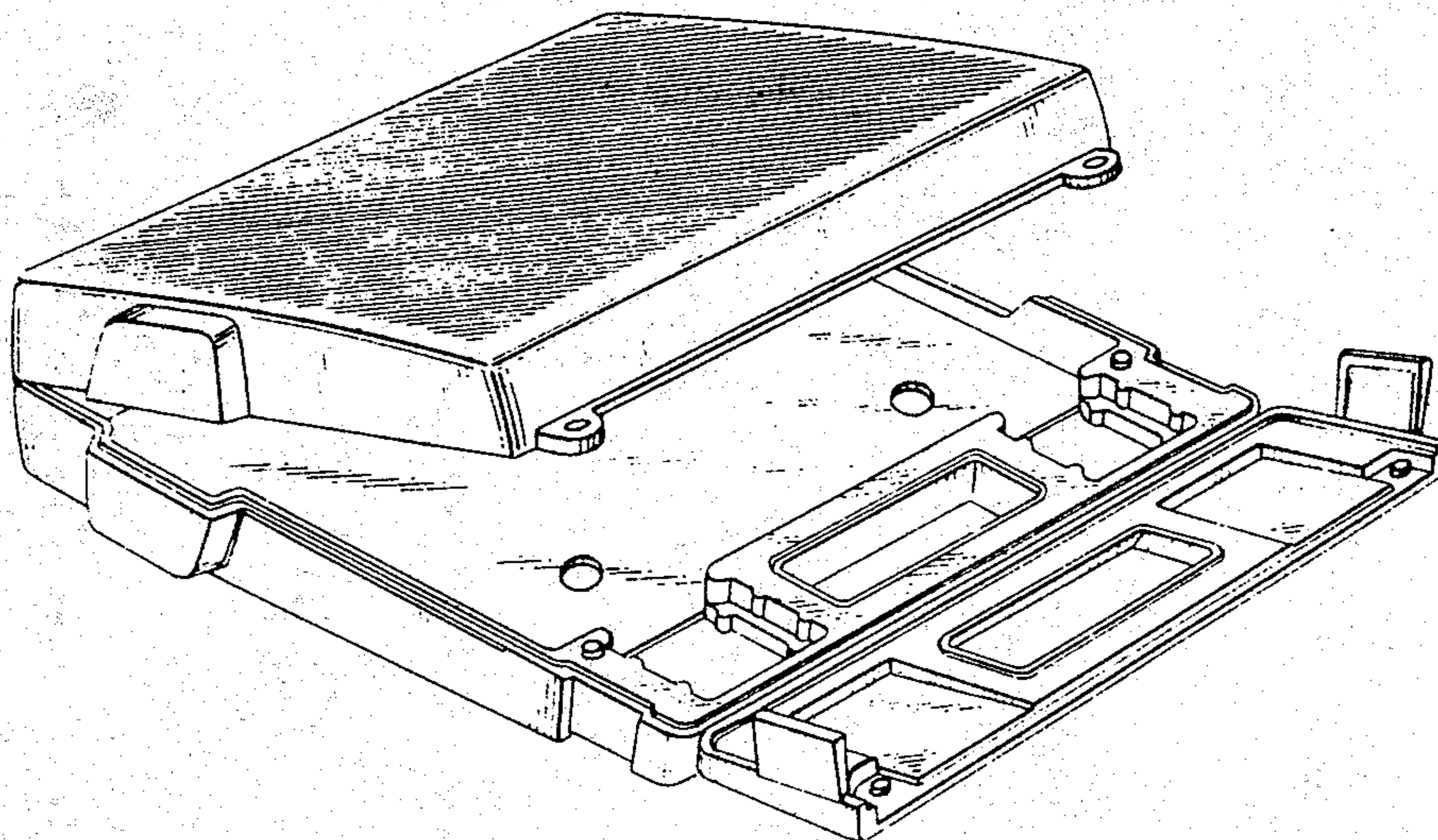


FIG. 1

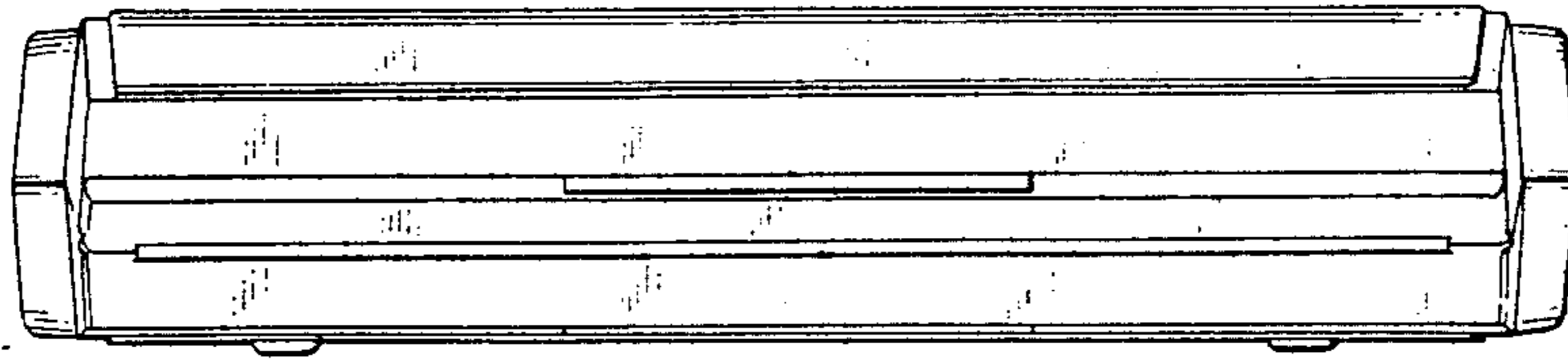


FIG. 2

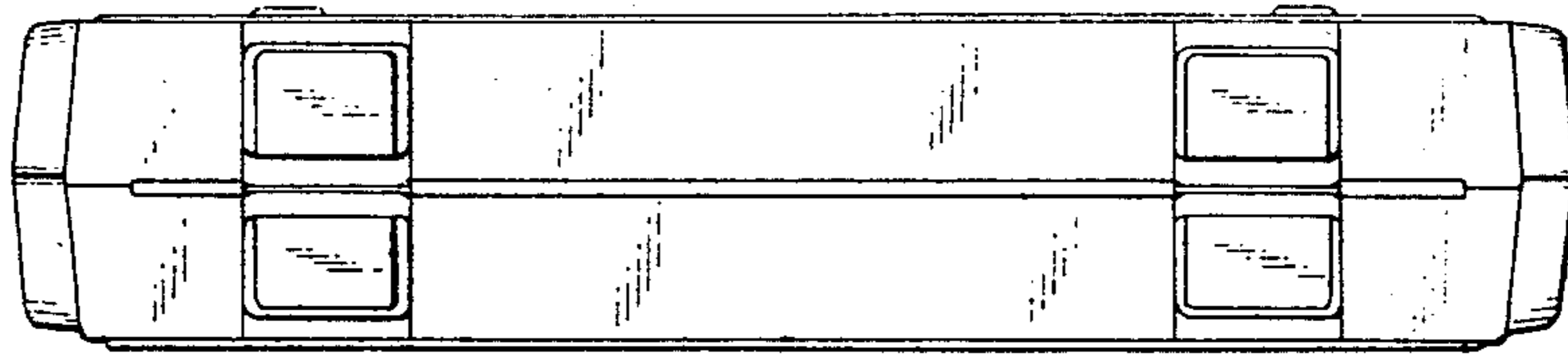


FIG. 3

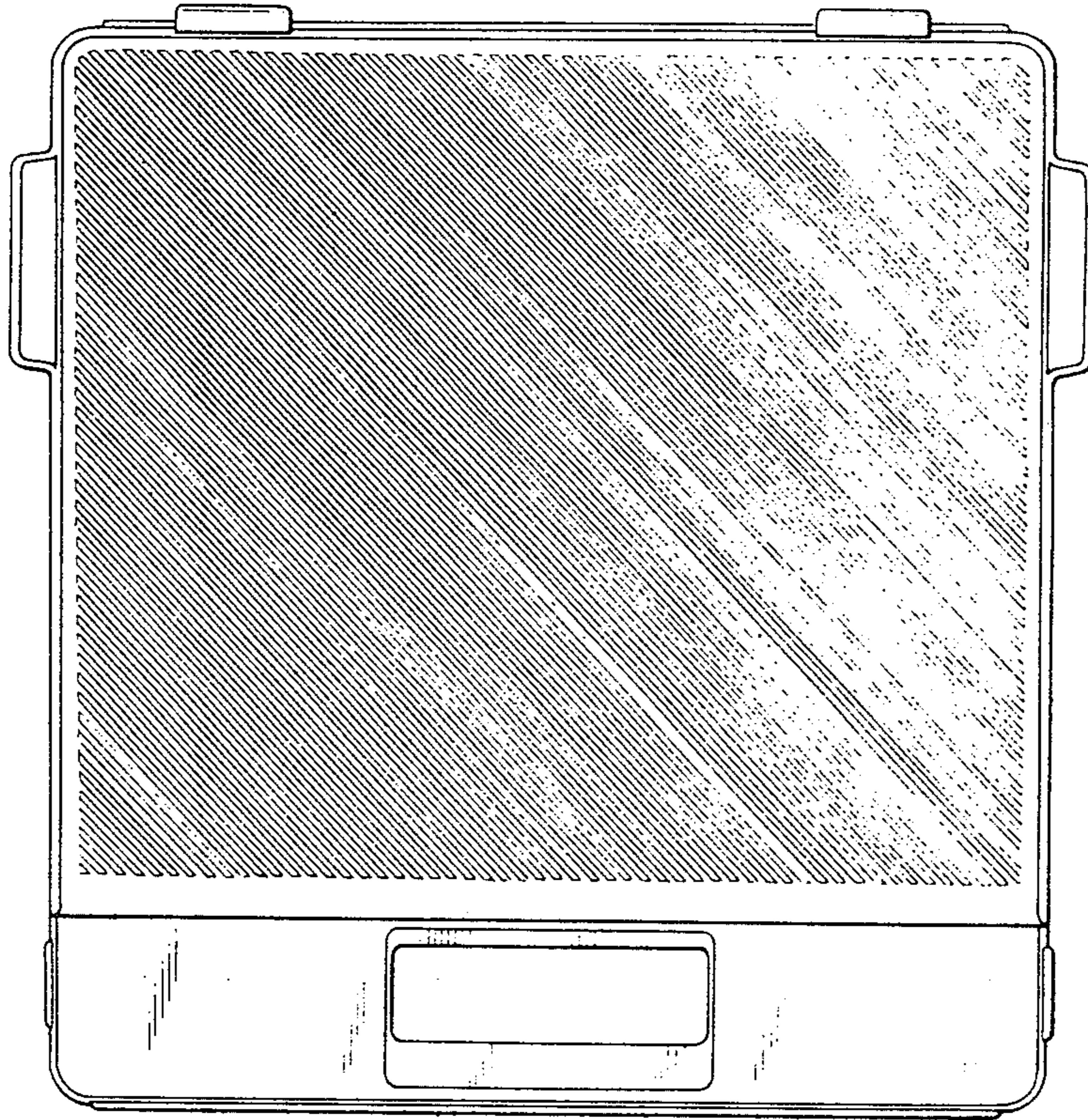


FIG. 4

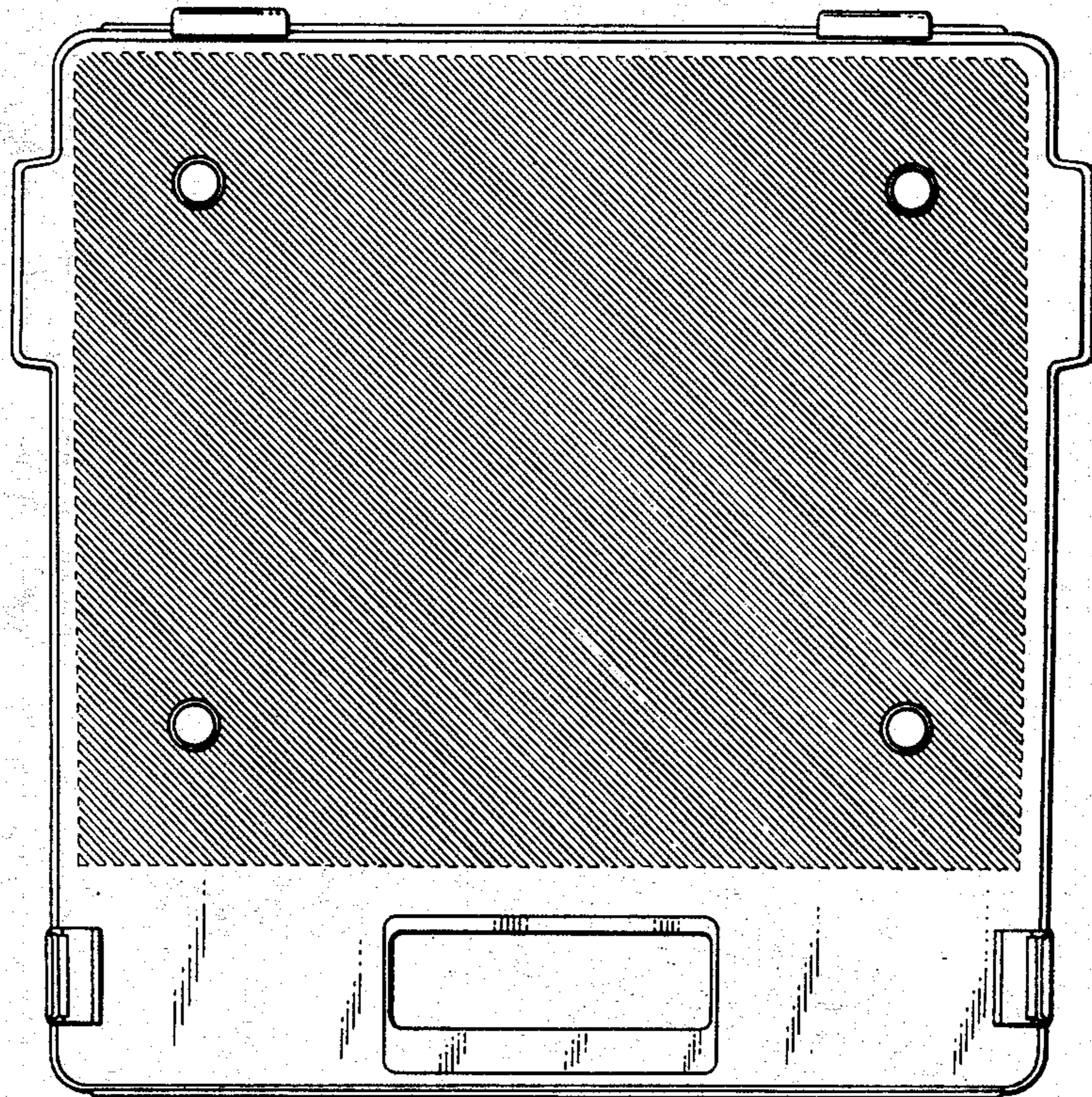


FIG. 5

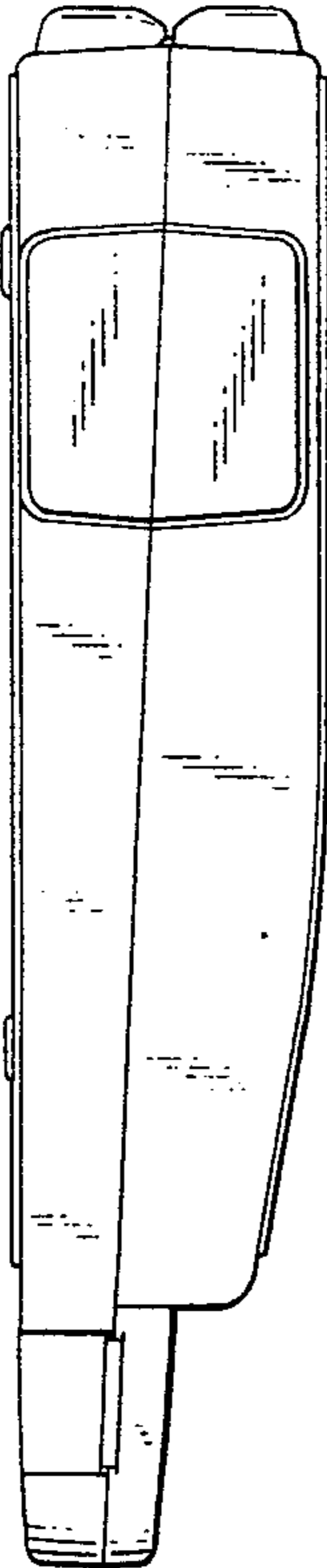


FIG. 6

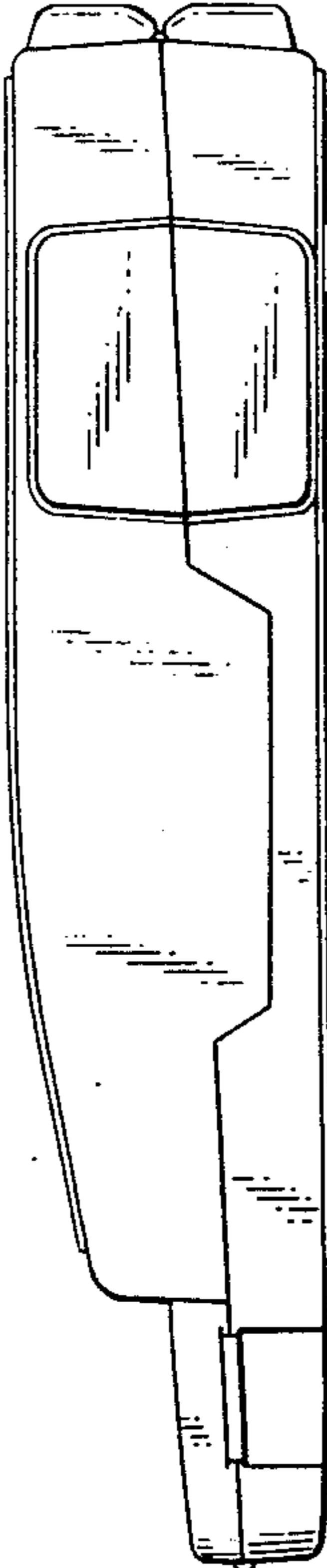


FIG. 7

