

[54] COMBINED POCKET TOOL CASE AND KEY HOLDER

[75] Inventor: William L. Gamble, Unionville, Conn.

[73] Assignee: The W. E. Bassett Company, Derby, Conn.

[**] Term: 14 Years

[21] Appl. No.: 592,430

[22] Filed: Mar. 22, 1984

[52] U.S. Cl. D3/64; D8/99

[58] Field of Search D3/61-65; D8/99, 105; 70/456 R, 456 B; 24/3 M, 3 K; 206/37, 37.1, 37.5-37.8, 38.1, 23.4

[56] References Cited

U.S. PATENT DOCUMENTS

- D. 182,631 4/1958 Stow D3/61
- D. 185,894 8/1959 Dawson D3/64
- D. 198,910 8/1964 Stolarz D8/99
- 3,070,142 12/1962 McGlynn 206/37.6

- 3,863,477 2/1975 Klein D3/61
- 4,226,105 10/1980 Wehrman D3/61

Primary Examiner—George P. Word
Attorney, Agent, or Firm—Hopgood, Calimafde, Kalil, Blaustein & Judlowe

[57] CLAIM

The ornamental design for a combined pocket tool case and key holder, as shown and described.

DESCRIPTION

FIG. 1 is a front elevational view of a combined pocket tool case and key holder showing my new design, the environmental structure shown in dotted lines being for illustrative purposes only and not a part of the design claimed;

FIG. 2 is a right side elevational view thereof;

FIG. 3 is a rear elevational view thereof;

FIG. 4 is a left side elevational view thereof;

FIG. 5 is a front elevational view thereof but opened up for selective removal of a key holder ring;

FIG. 6 is a bottom plan view thereof; and

FIG. 7 is a top plan view thereof.

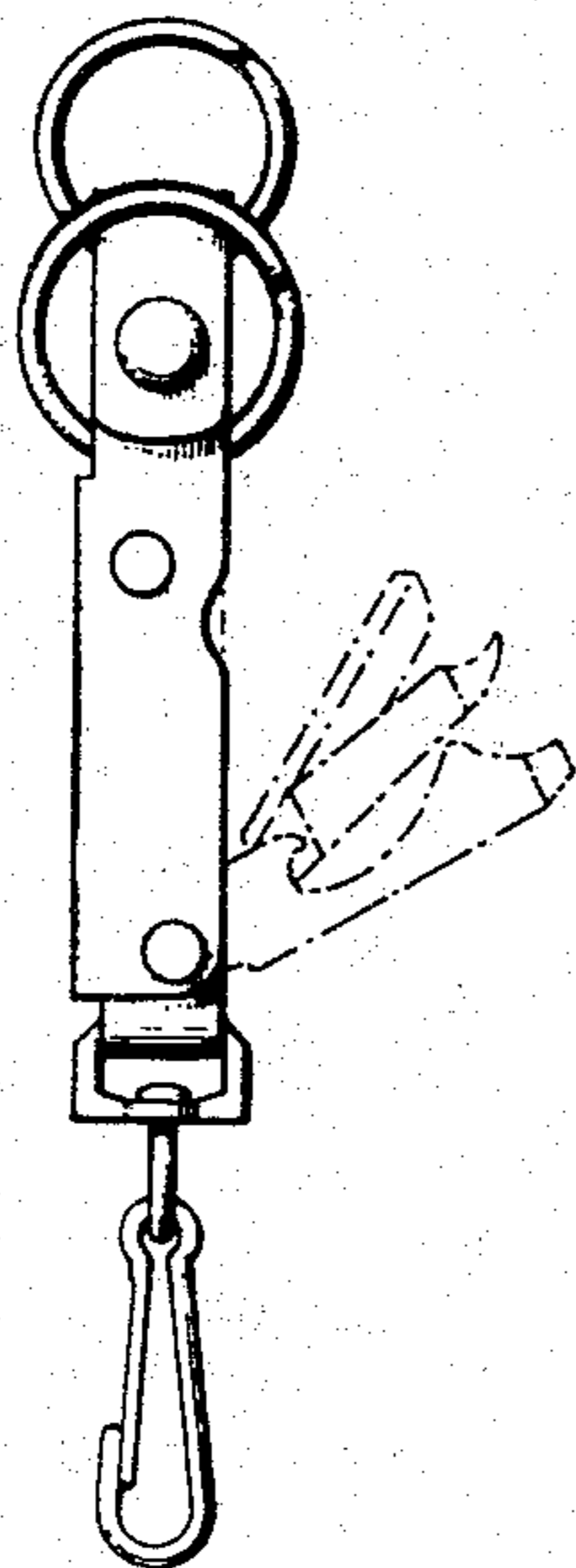


FIG. 5.

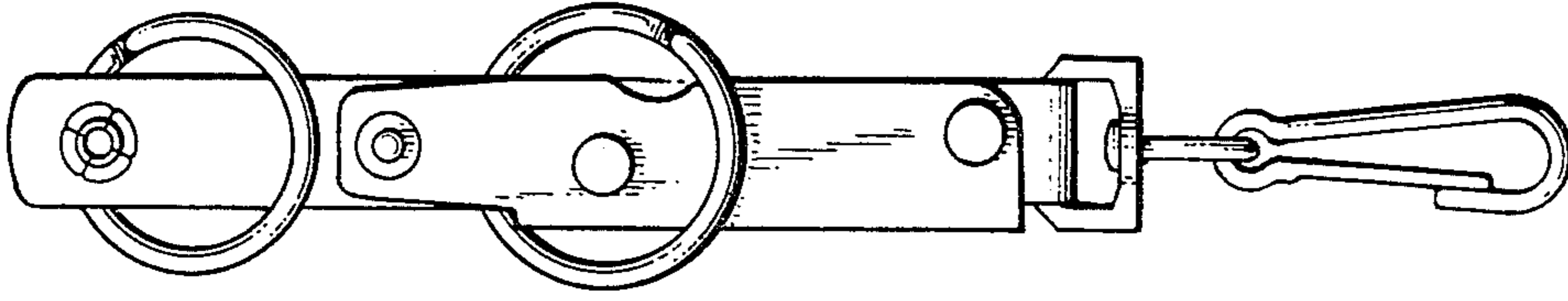


FIG. 4.

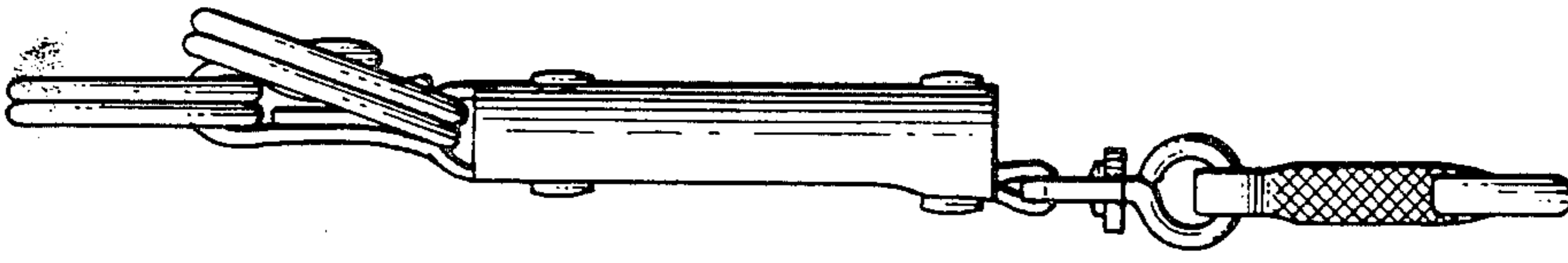


FIG. 3.

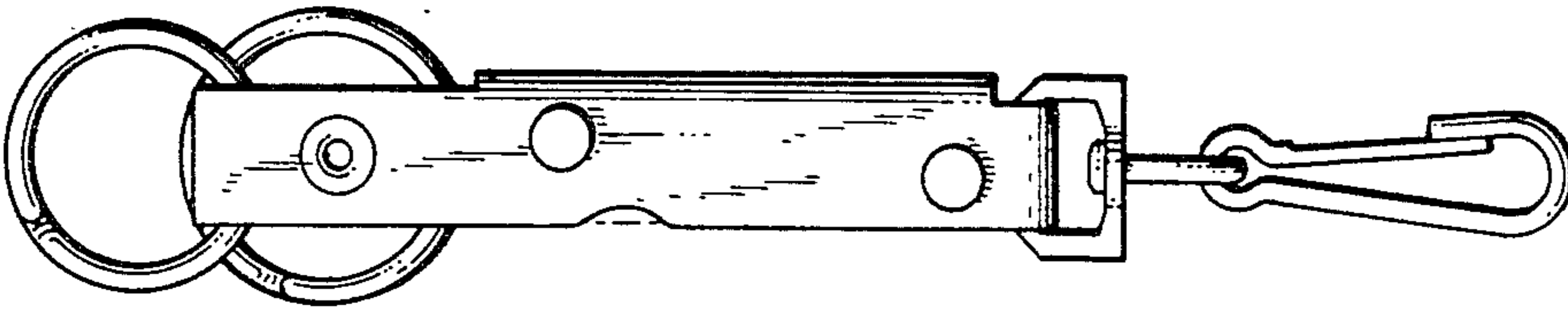


FIG. 2.



FIG. 1.

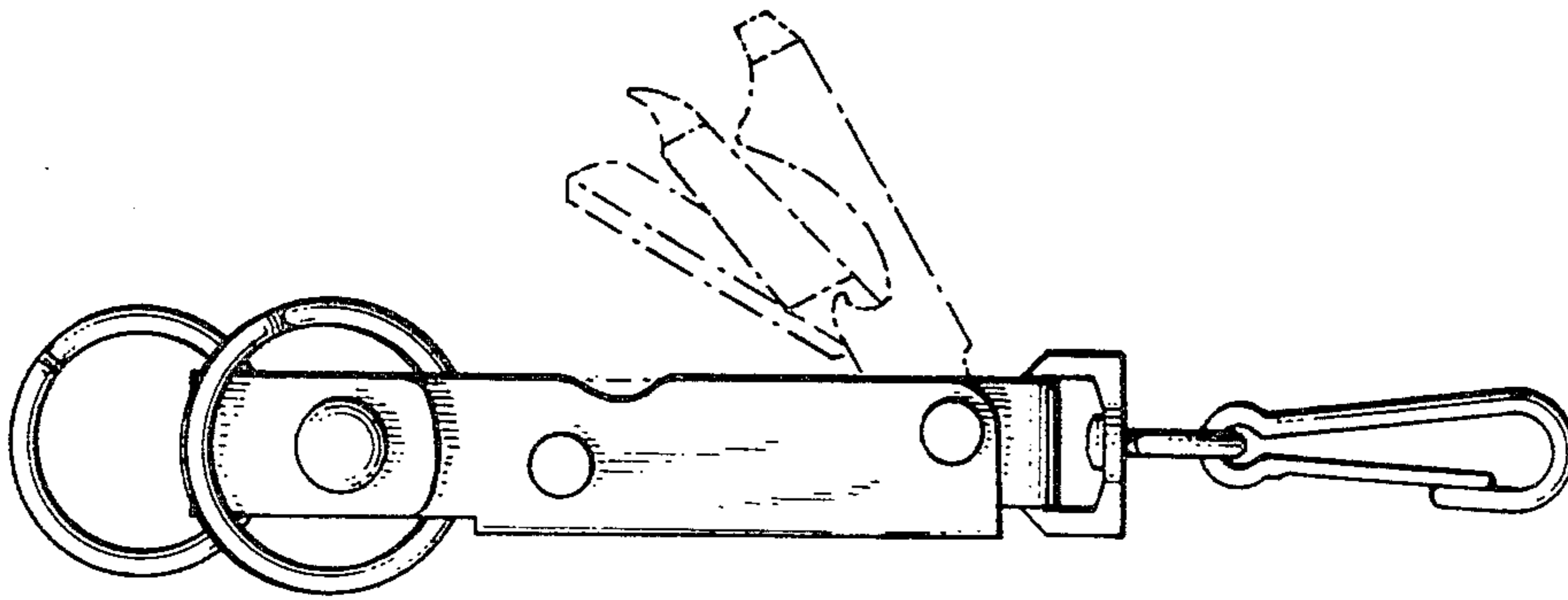


FIG. 7.

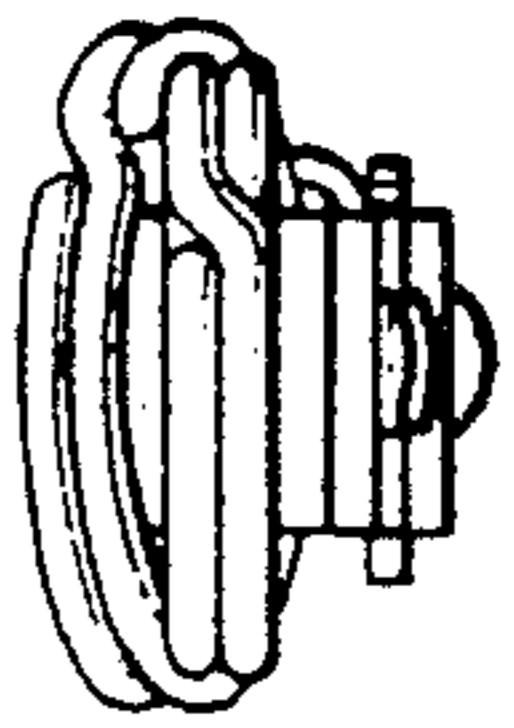


FIG. 6.

