

[54] **VEHICLE SERVICE JACK**

[75] **Inventor: Anders Persson, Eskilstuna, Sweden**

[73] **Assignee: Aktiebolaget Bygg-och
Transportekonomi Division Nike
Hydraulics, Eskilstuna, Sweden**

[**] **Term: 14 Years**

[21] **Appl. No.: 624,976**

[22] **Filed: Jun. 27, 1984**

[30] **Foreign Application Priority Data**

Jan. 4, 1984 [SE] Sweden 84-0033
[52] **U.S. Cl. D34/31**
[58] **Field of Search D34/31; 254/8 B**

[56] **References Cited**

U.S. PATENT DOCUMENTS

4,018,421 4/1977 Tallman 254/8 B
4,277,048 7/1981 Okuda 254/8 B

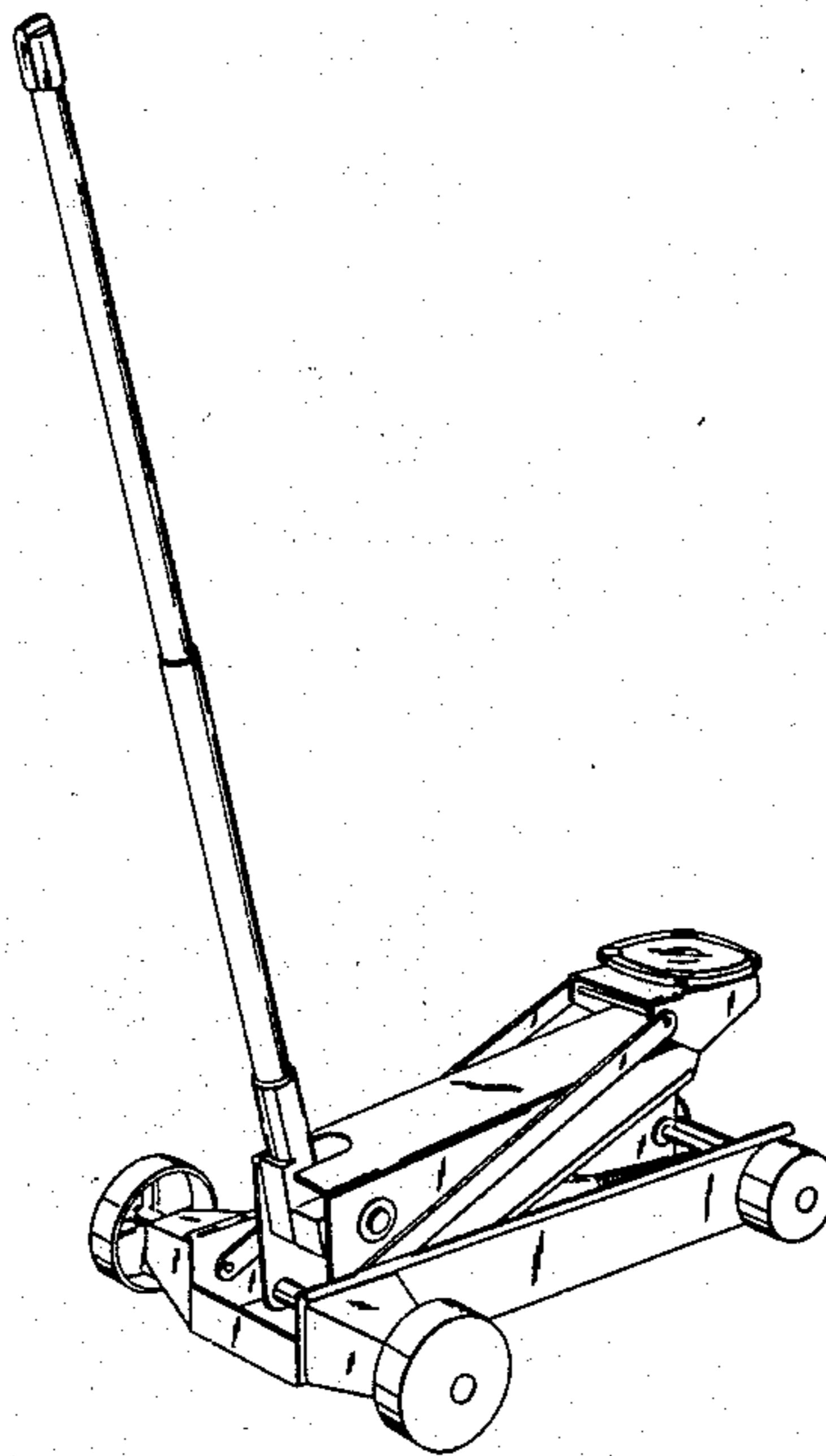
Primary Examiner—James M. Gandy
Assistant Examiner—Kay H. Chin
Attorney, Agent, or Firm—Frishauf & Partners

[57] **CLAIM**

The ornamental design for a vehicle service jack, as shown and described.

DESCRIPTION

FIG. 1 is a top perspective view of a vehicle service jack showing my new design, in partially raised condition;
FIG. 2 is a bottom perspective view thereof, taken from the opposite side as in FIG. 1;
FIG. 3 is a rear perspective view thereof, in fully raised condition.



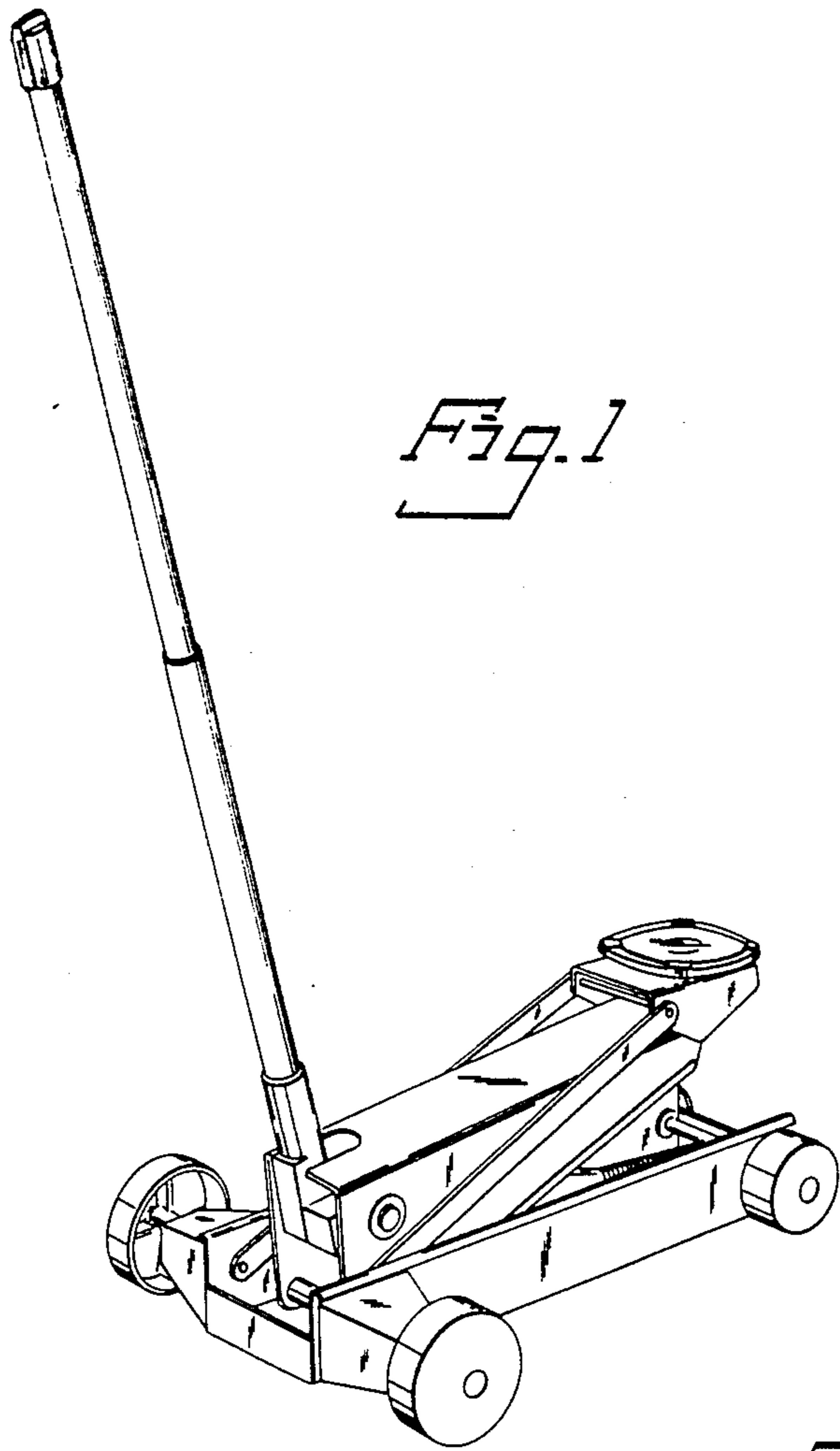


Fig. 1

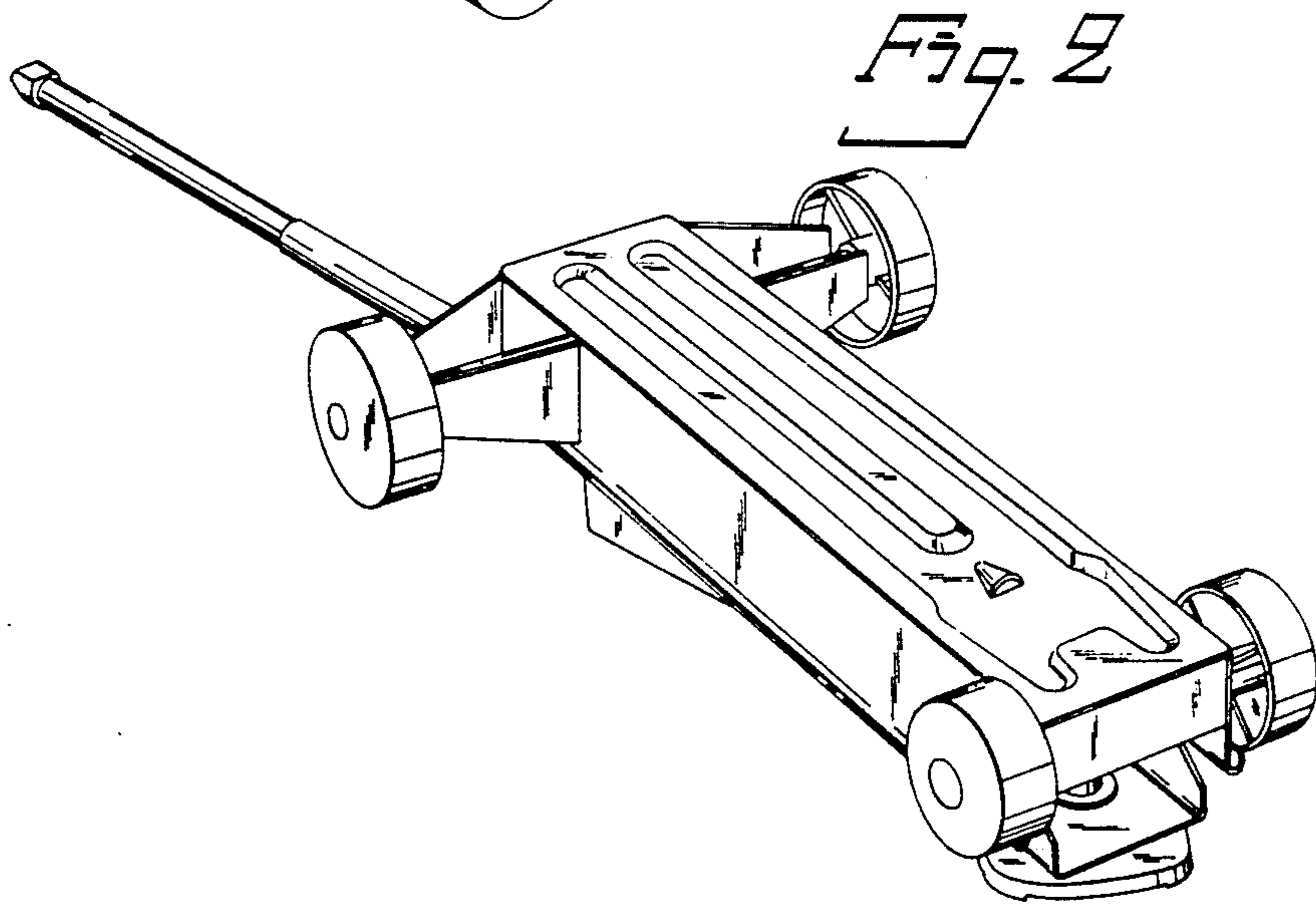


Fig. 2

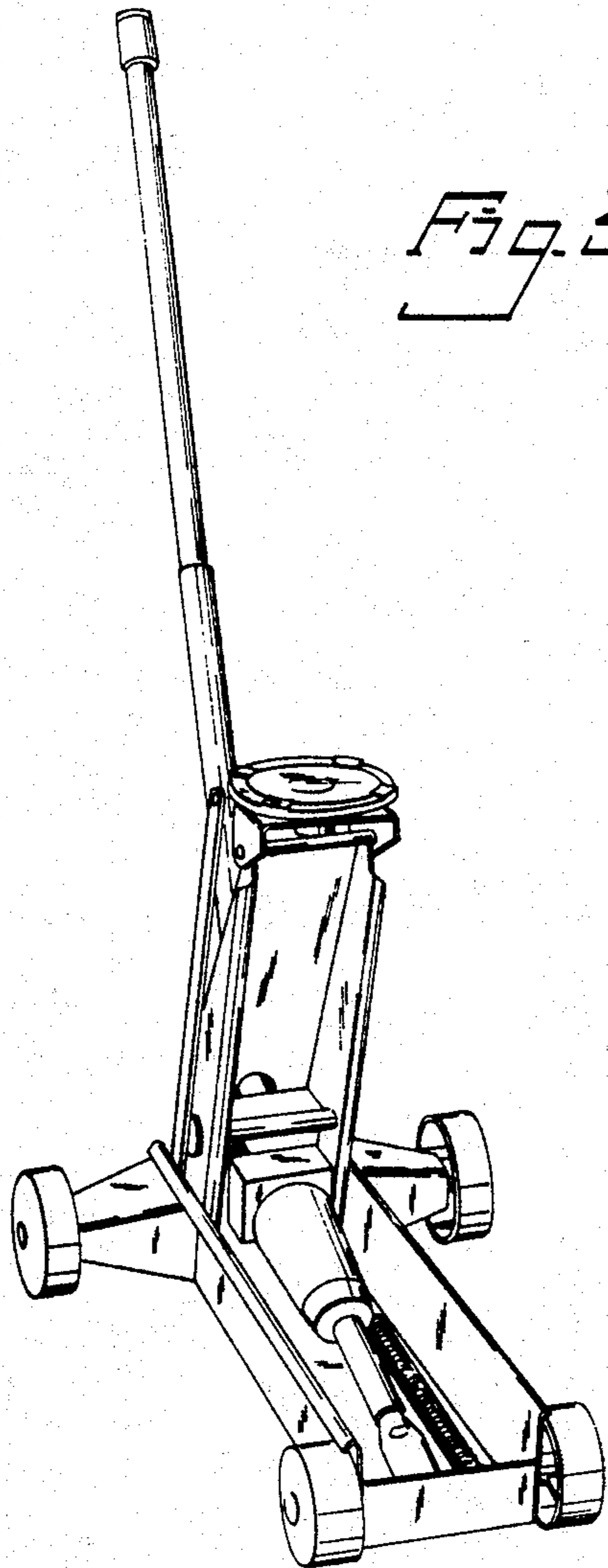


Fig. 3