

[54] DROP-LEAF BAR CART

[75] Inventor: Manfred Hubert, Seyssins, France

[73] Assignee: Allibert S.A., Grenoble, France

[**] Term: 14 Years

[21] Appl. No.: 658,065

[22] Filed: Oct. 5, 1984

[30] Foreign Application Priority Data

Apr. 19, 1984 [IB] Int'l Pat. Inst. DM/003649

[52] U.S. Cl. D34/21; D6/478

[58] Field of Search D34/11-27; 280/47.34, 47.35, 79.1 R, 79.1 A, 79.3; D6/460, 461, 465, 477, 478, 479; 108/92, 106, 111, 96

[56] References Cited

U.S. PATENT DOCUMENTS

D. 174,193 3/1955 Pinkus D34/21
2,886,186 5/1959 Hamilton 108/111

OTHER PUBLICATIONS

Atlas Division National Cornice Works, Mobile Salad Cart Models 3TS and 2TG.

Primary Examiner—James M. Gandy

Assistant Examiner—Kay H. Chin

Attorney, Agent, or Firm—Young & Thompson

[57] CLAIM

The ornamental design for a drop-leaf bar cart, as shown and described.

DESCRIPTION

FIG. 1 is a top, end and side perspective view of a drop-leaf bar cart showing my new design, with the drop leaves raised;

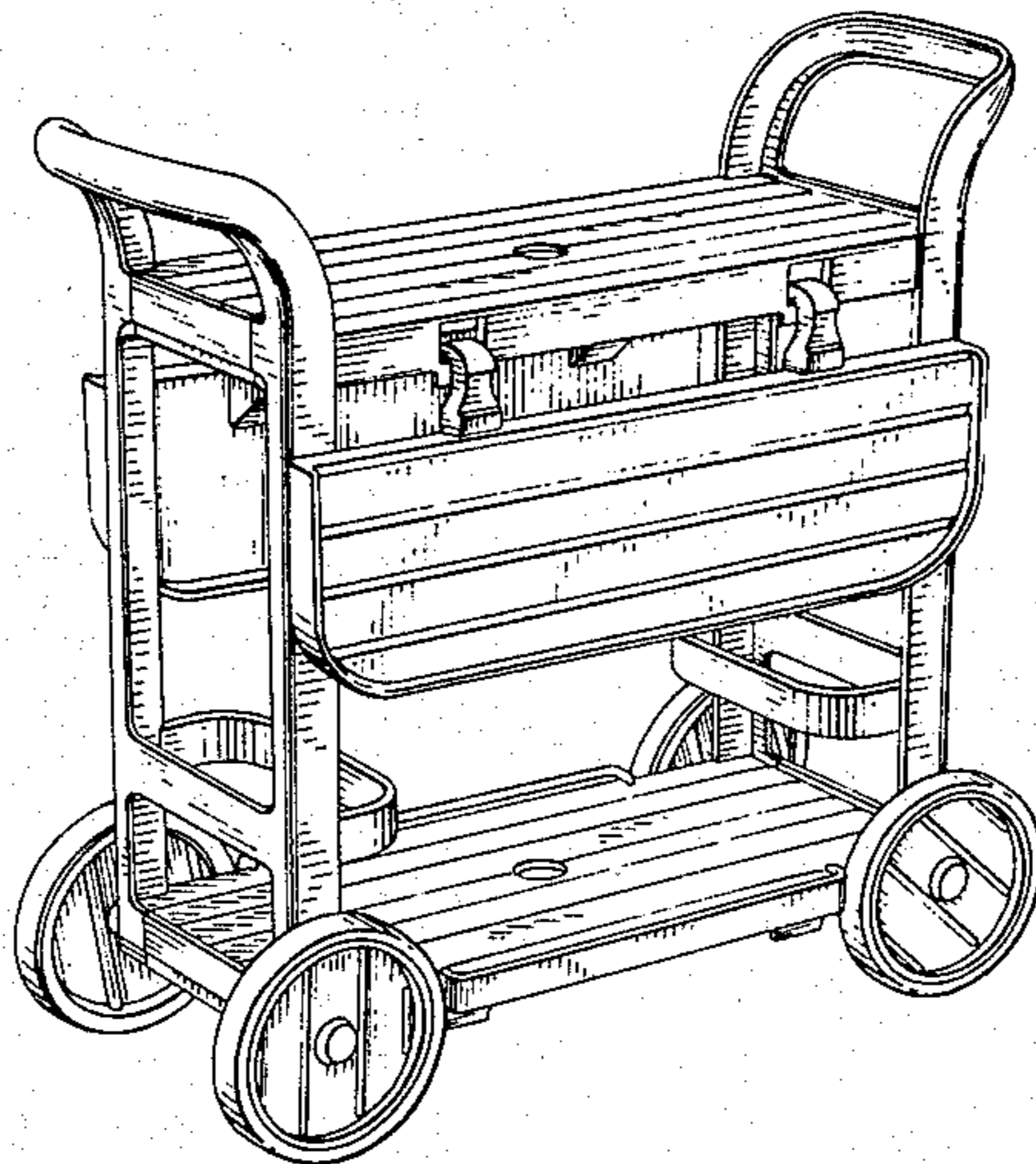
FIG. 2 is a side perspective view thereof;

FIG. 3 is an end perspective view thereof;

FIG. 4 is a top plan view thereof;

FIG. 5 is a top, end and side perspective view thereof with the leaves in lowered condition; and

FIG. 6 is an enlarged bottom perspective view thereof.



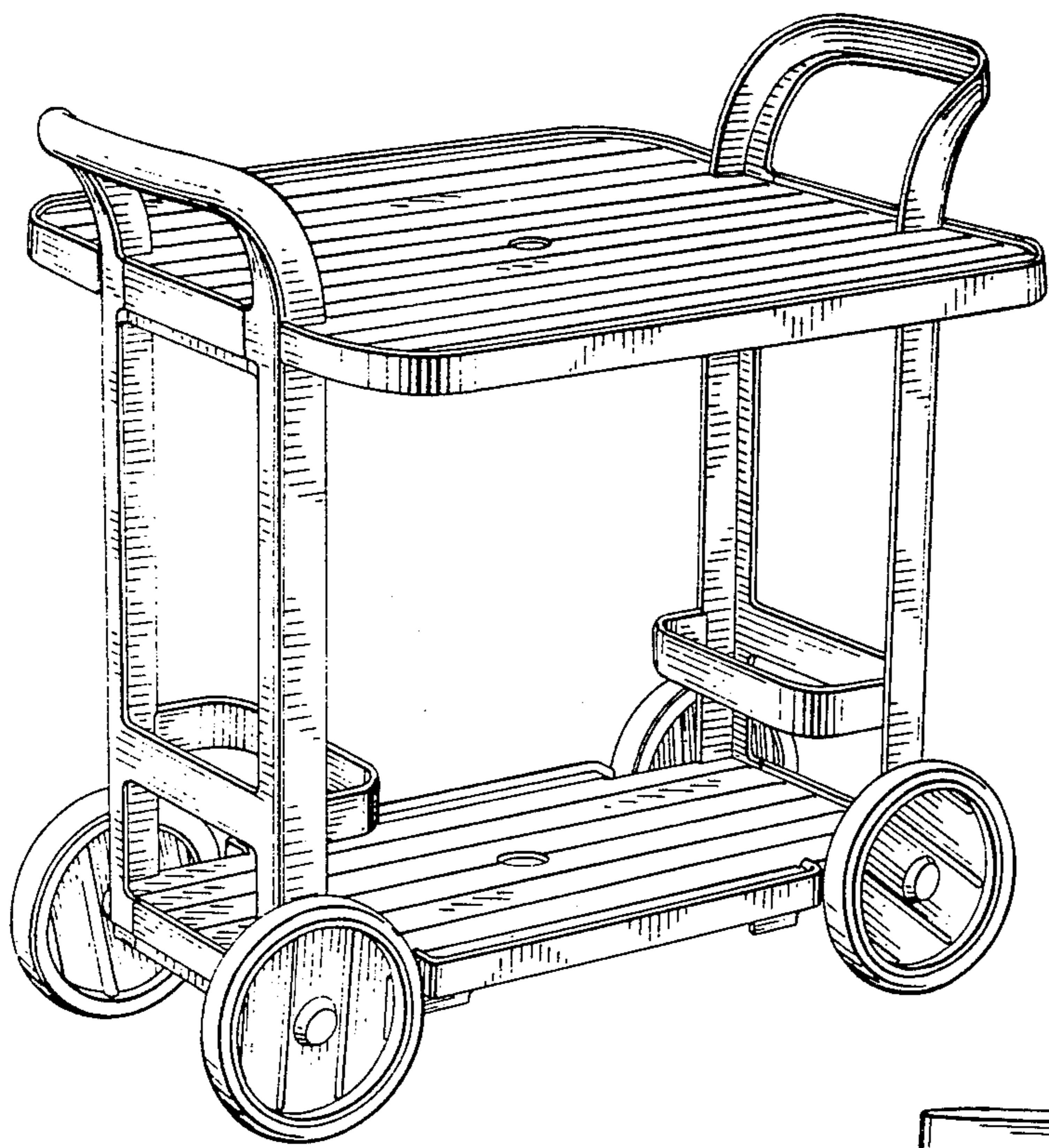


FIG. 1

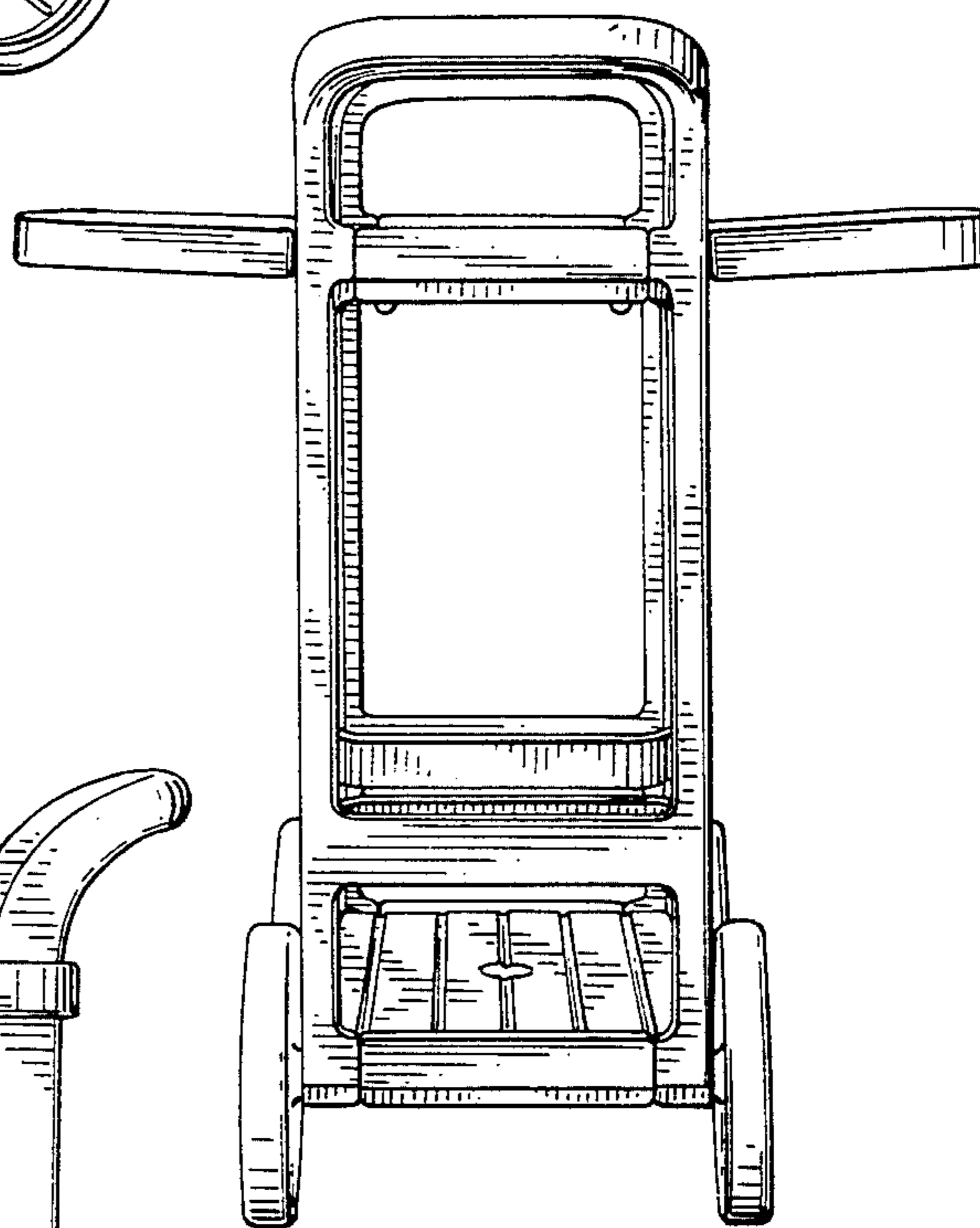
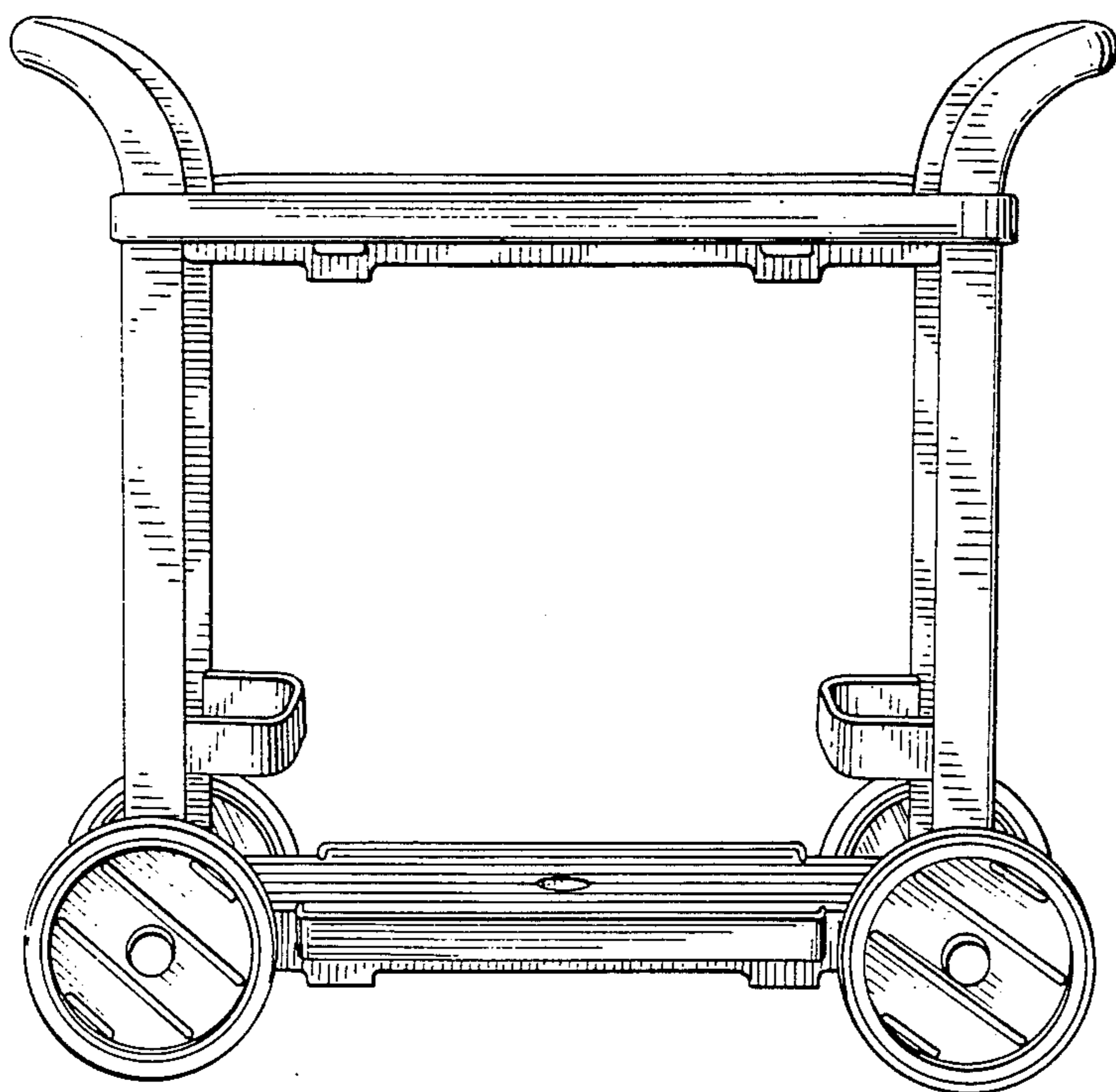


FIG. 3

FIG. 2



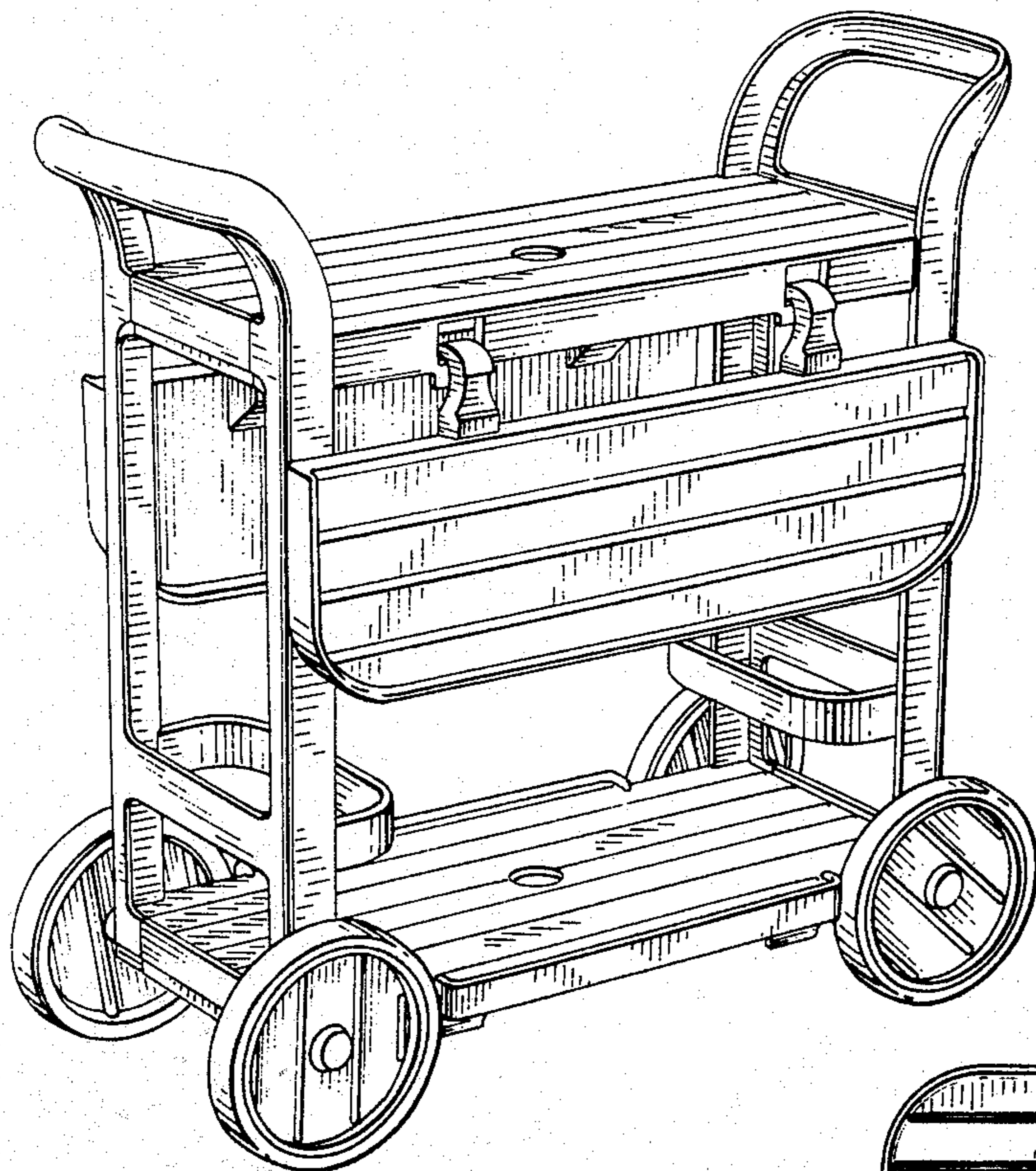


FIG. 5

FIG. 4

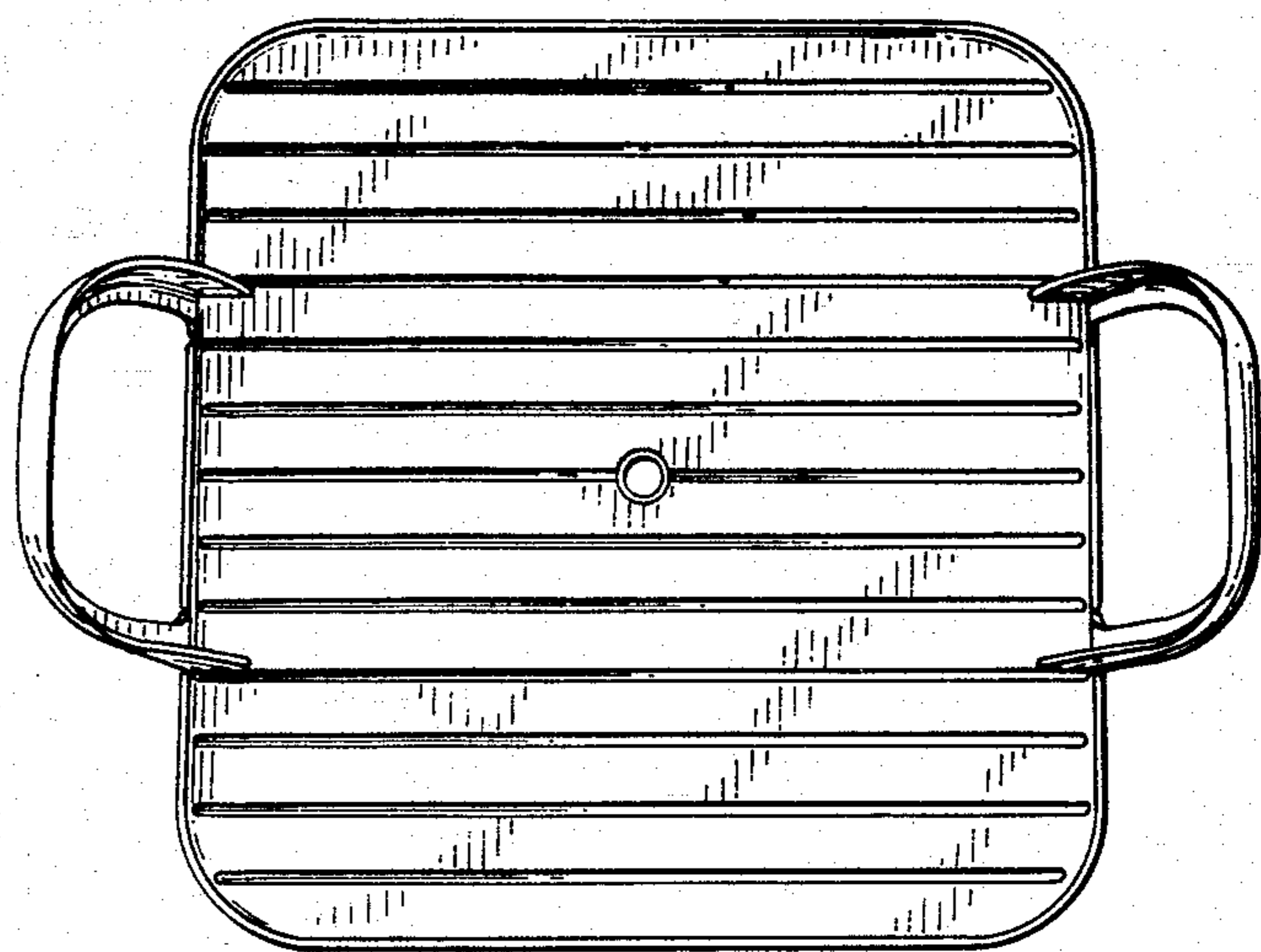


FIG. 6

