

[54] PLASTIC BAG RACK

[76] Inventor: James B. Rehrig, 6533 Via Lorenzo, Rancho Palos Verde, Calif. 90274

[\*\*] Term: 14 Years

[21] Appl. No.: 589,756

[22] Filed: Mar. 15, 1984

[52] U.S. Cl. .... D34/6

[58] Field of Search ..... D34/1, 5, 6; D6/492, D6/493, 495; 248/95, 97, 98, 99, 114, 149; 220/1 T, 19; 53/390; D8/380

4,364,534 12/1982 Valesko ..... 248/97  
4,366,916 1/1983 Guido et al. .... 220/404  
4,372,512 2/1983 Wolfe ..... 248/97

Primary Examiner—James M. Gandy  
Assistant Examiner—Kay H. Chin  
Attorney, Agent, or Firm—Banner, Birch, McKie & Beckett

[57] CLAIM

The ornamental design for a plastic bag rack, as shown and described.

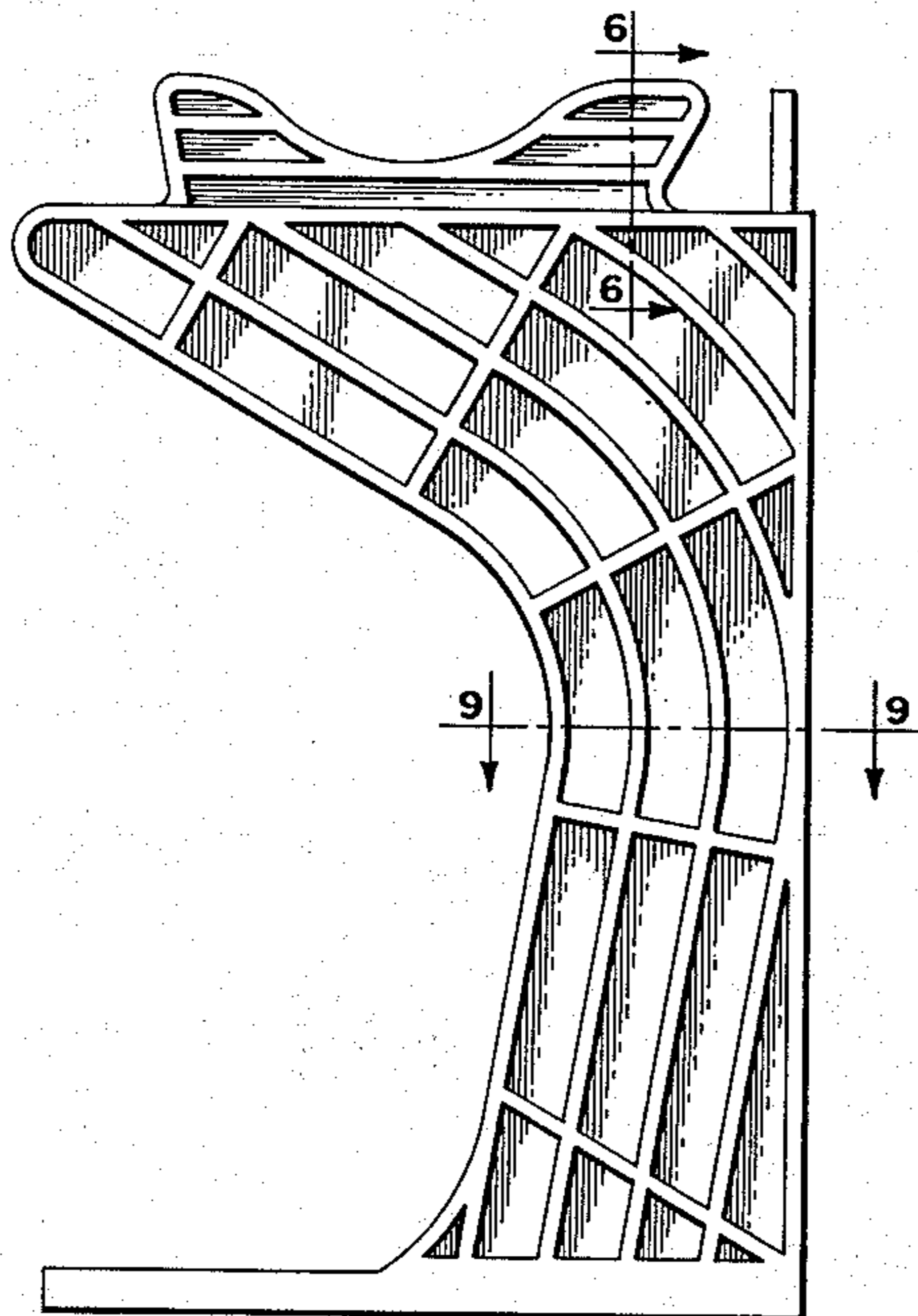
DESCRIPTION

FIG. 1 is a side elevational view of a plastic bag rack showing my new design, the opposite side being a mirror image of that shown;  
FIG. 2 is a front elevational view thereof;  
FIG. 3 is a rear elevational view thereof;  
FIG. 4 is a top plan view thereof;  
FIG. 5 is a bottom plan view thereof;  
FIG. 6 is an enlarged fragmentary sectional view taken along line 6—6 of FIG. 1;  
FIG. 7 is an enlarged fragmentary sectional view taken along line 7—7 of FIG. 3;  
FIG. 8 is an enlarged fragmentary sectional view taken along line 8—8 of FIG. 4;  
FIG. 9 is an enlarged fragmentary sectional view taken along line 9—9 of FIG. 1;  
FIG. 10 is an enlarged fragmentary sectional view taken along line 10—10 of FIG. 4; and  
FIG. 11 is an enlarged fragmentary sectional view taken along line 11—11 of FIG. 3.

[56] References Cited

U.S. PATENT DOCUMENTS

D. 65,500	8/1924	Schmale	.....	D8/380
D. 164,528	9/1951	Voigt	.....	D6/495
1,653,393	12/1927	Cox	.....	141/390
2,759,695	8/1956	Berner et al.	.....	248/95
3,439,891	4/1969	Pinto	.....	248/100
3,552,697	1/1971	Pinto	.....	240/97
3,664,622	5/1972	Vaccaro	.....	248/95
3,687,408	8/1972	Lake	.....	248/97
3,737,129	6/1973	Foster	.....	248/97
3,774,838	11/1973	Christie	.....	229/62
3,826,455	7/1974	O'Donnell	.....	248/97
4,062,170	12/1977	Orem	.....	53/390
4,175,602	11/1979	Cavalaris et al.	.....	248/99
4,199,122	4/1980	Christie	.....	248/97
4,248,278	2/1981	Blodgett	.....	141/316
4,267,997	5/1981	Meier	.....	248/97
4,316,591	2/1982	Muraoka	.....	248/97
4,332,361	6/1982	McClellan	.....	248/95



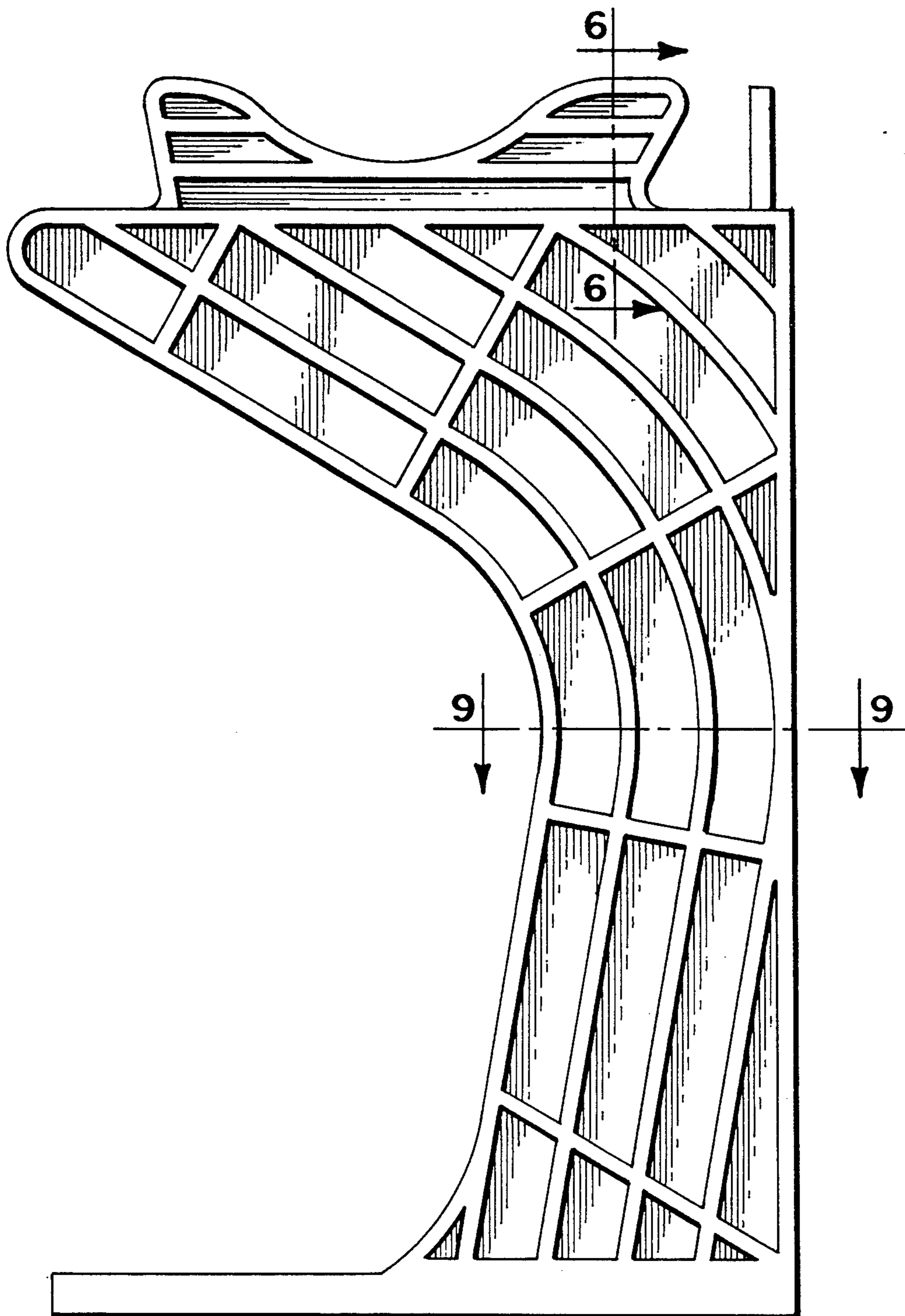


FIG. 1

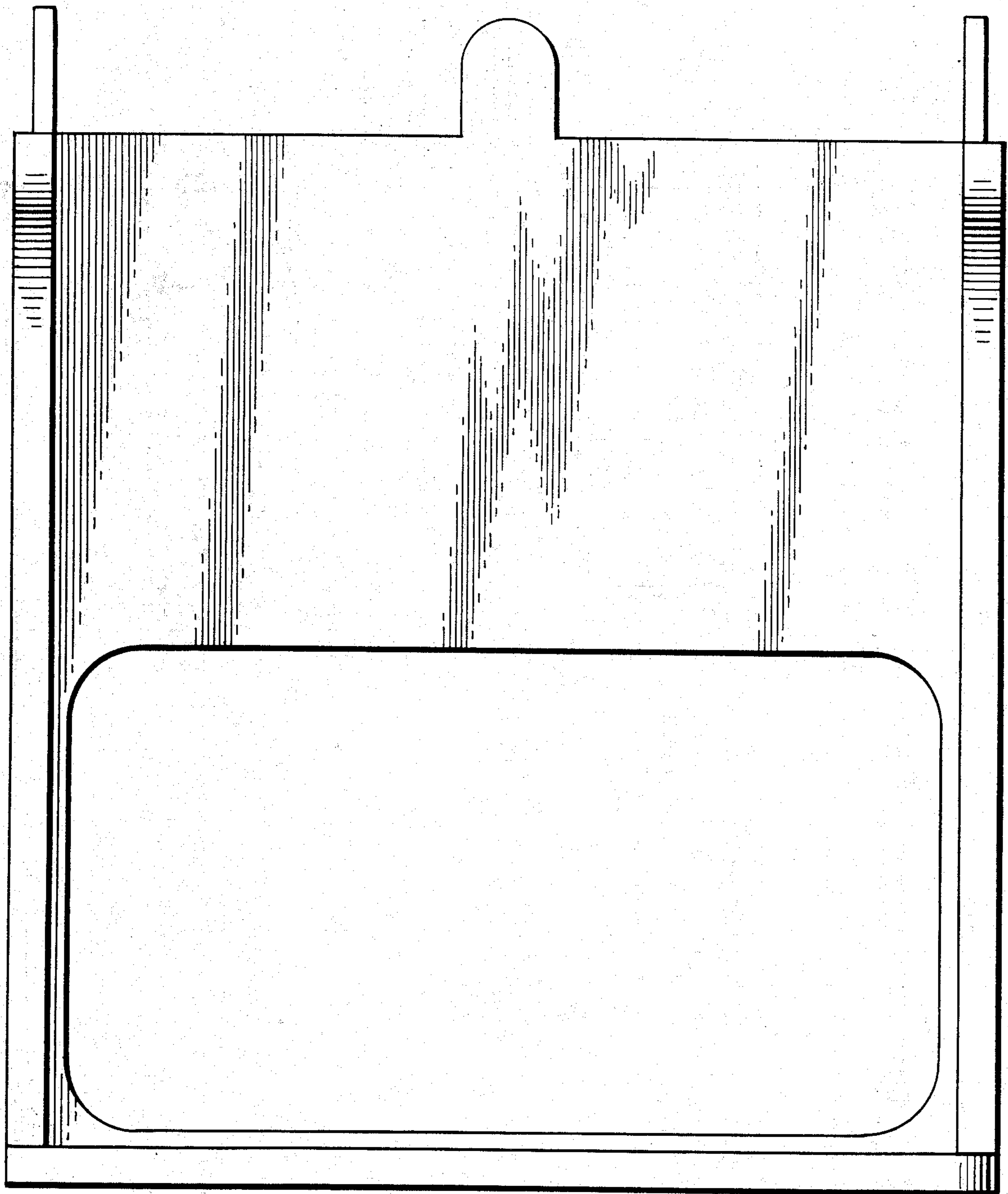


FIG. 2

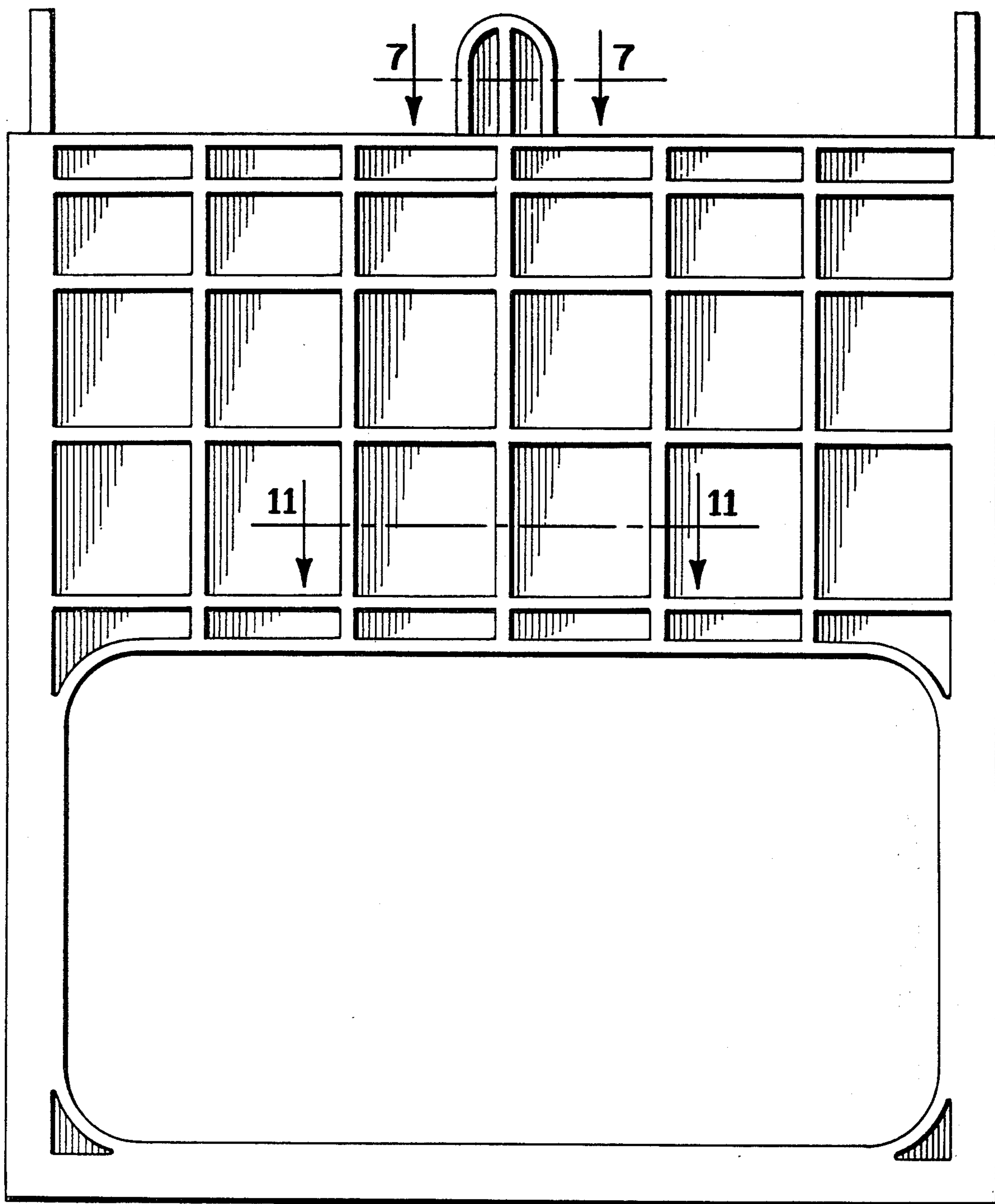


FIG. 3

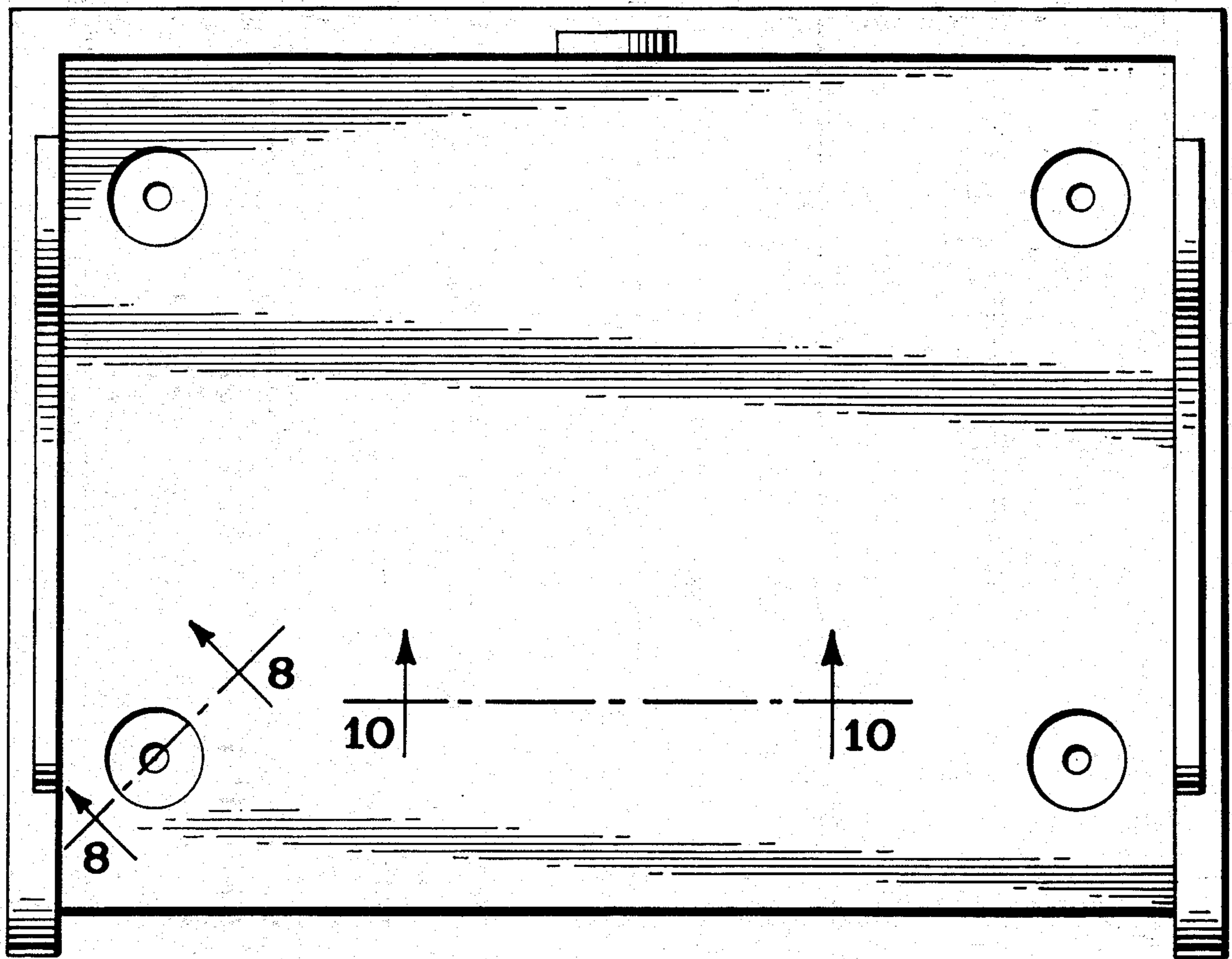


FIG. 4

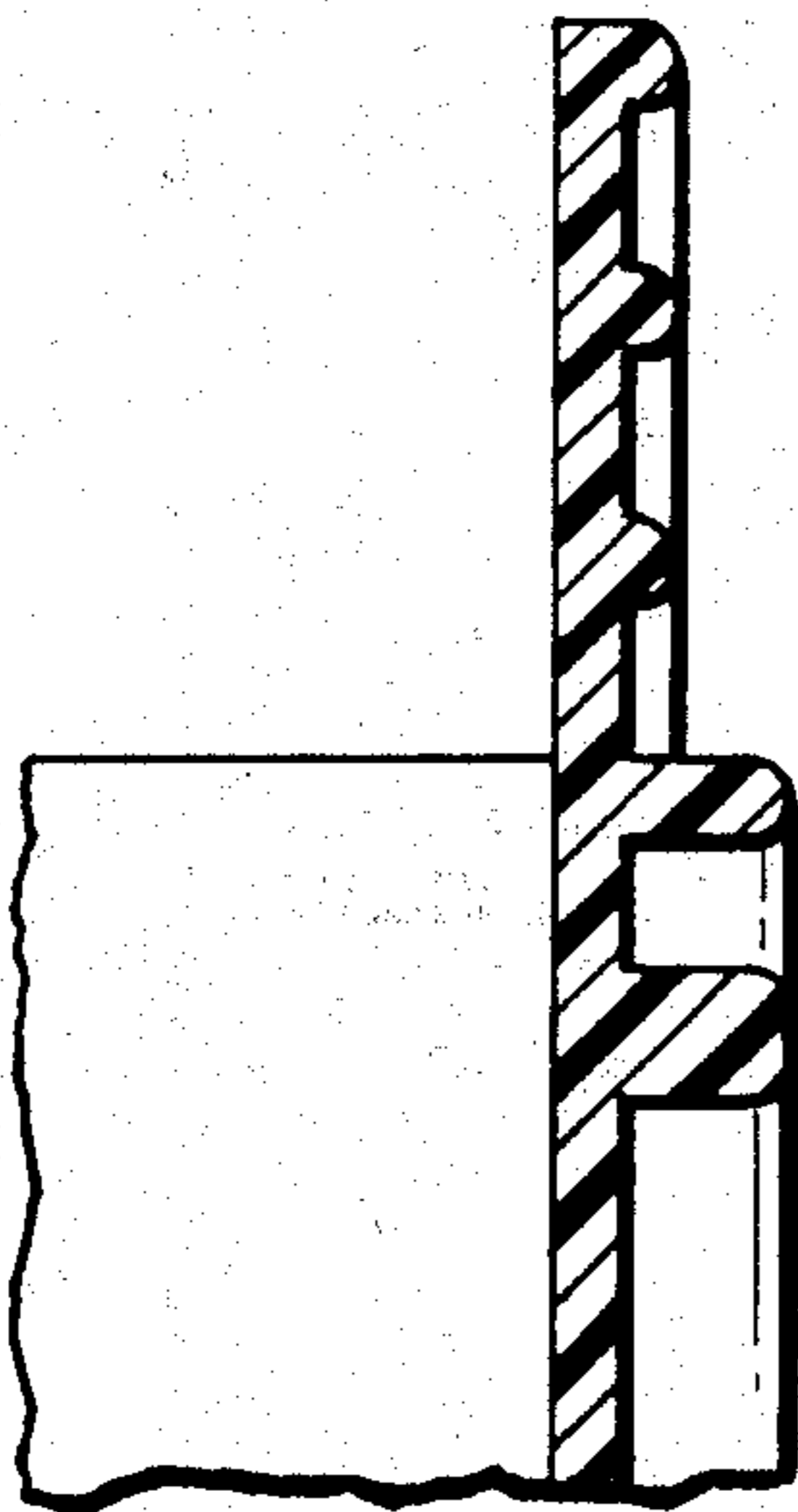


FIG. 6



FIG. 7



FIG. 8

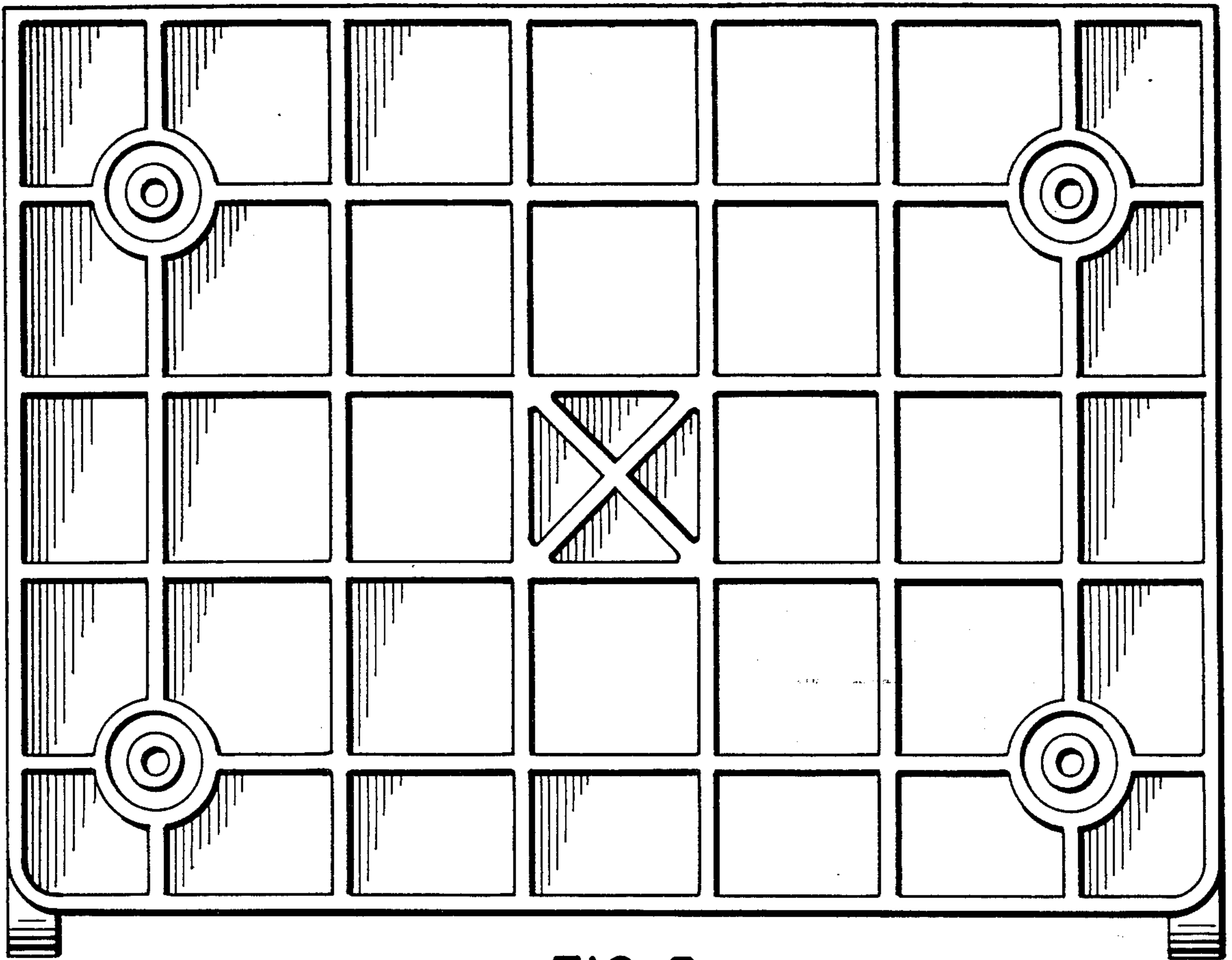


FIG. 5

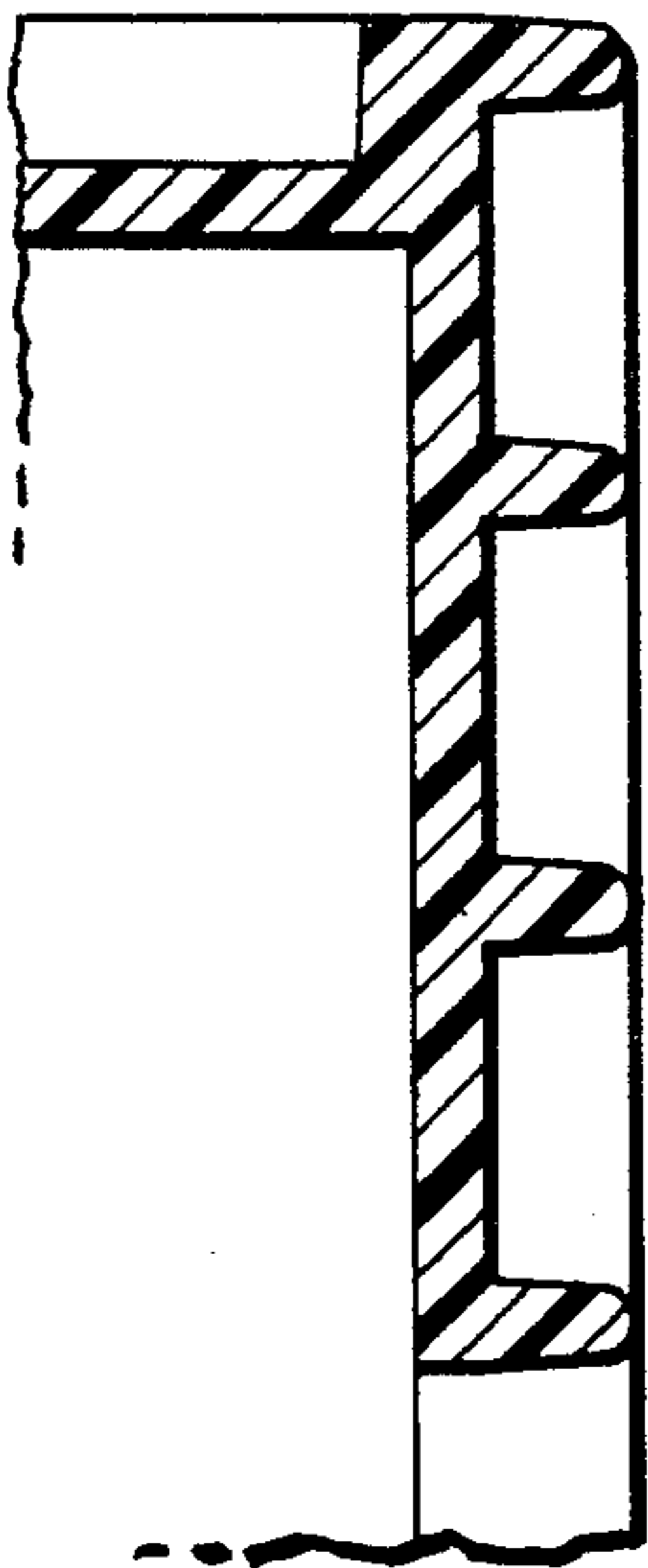


FIG. 9



FIG. 10



FIG. 11