

[54] SURGICAL STAPLER  
 [75] Inventors: John V. Hunt, Milford; Lawrence E. Spreckelmeier, Cincinnati, both of Ohio  
 [73] Assignee: Senmed, Inc., Cincinnati, Ohio  
 [\*\*] Term: 14 Years  
 [21] Appl. No.: 689,466  
 [22] Filed: Jan. 7, 1985  
 [52] U.S. Cl. .... D24/26  
 [58] Field of Search ..... D24/26, 27, 28; D8/48, D8/49, 50, 51, 68; 72/410; 128/305, 334 R, 335, 337; 227/8, 19, DIG. 1, 76, 107, 109, 110, 120, 127, 129, 134, 153, 156; 206/339

4,290,542 9/1981 Fedotov et al. .  
 4,319,576 3/1982 Rothfuss .  
 4,328,805 5/1982 Akopov et al. .  
 4,350,160 9/1982 Kolesov et al. .  
 4,354,628 10/1982 Green .  
 4,429,695 2/1984 Green .  
 4,520,817 6/1985 Green ..... 128/334 R X

FOREIGN PATENT DOCUMENTS

1213583 3/1983 Australia .  
 888868 12/1971 Canada .  
 927936 6/1963 United Kingdom .  
 173878 9/1965 U.S.S.R. .  
 599799 3/1978 U.S.S.R. .

OTHER PUBLICATIONS

AORN Journal, vol. 42, No. 3, Sep. 1985, unnumbered pages on opposite sides of pp. 397 and 400.  
 Undated materials comprising two pages relating to Surgeons Choice Staplers advertised by American V. Mueller.

Primary Examiner—A. Hugo Word  
 Assistant Examiner—Stella Reid  
 Attorney, Agent, or Firm—Charles P. Boukus, Jr.; Jerrold J. Litzinger

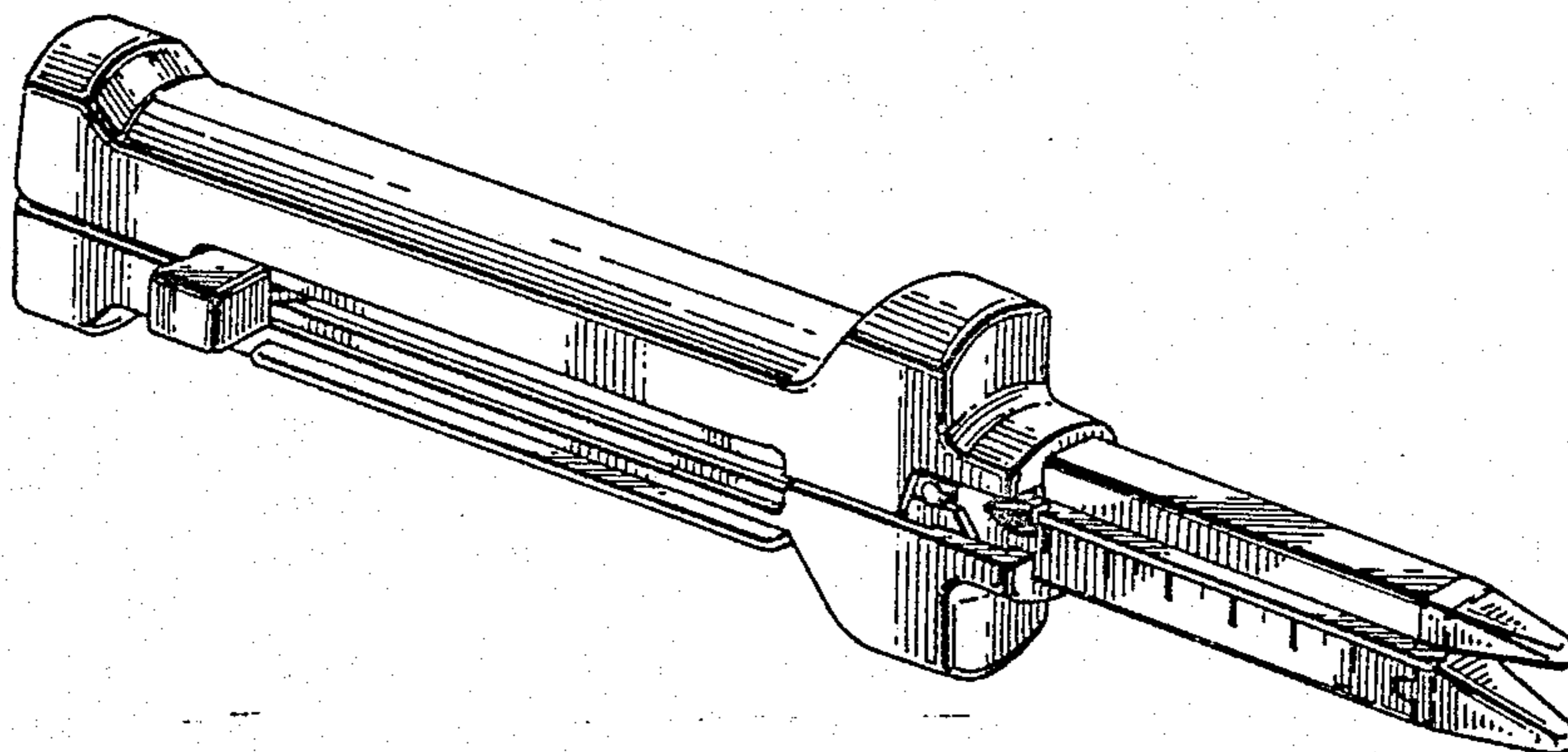
[56] References Cited  
 U.S. PATENT DOCUMENTS

D. 168,517 12/1952 Marano .  
 D. 195,591 7/1963 Sage et al. .  
 D. 230,419 2/1974 Fossella .  
 D. 272,851 2/1984 Green et al. .  
 D. 272,852 2/1984 Green et al. .  
 D. 278,080 3/1985 Green et al. .  
 D. 278,081 3/1985 Green ..... D24/26  
 960,300 6/1910 Fisher .  
 2,344,071 3/1944 Wilson et al. .  
 3,017,637 1/1962 Sampson .  
 3,078,465 2/1963 Bobrov .  
 3,079,606 3/1963 Bobrov .  
 3,275,211 9/1966 Hirsch et al. .  
 3,315,863 4/1967 O'Dea .  
 3,317,105 5/1967 Astafjev et al. .  
 3,482,428 12/1969 Kapitanov .  
 3,490,675 1/1970 Green et al. .  
 3,499,591 3/1970 Green .  
 3,551,987 1/1971 Wilkinson .  
 4,109,844 8/1978 Becht .  
 4,111,206 9/1978 Vishnevsky et al. .  
 4,204,623 5/1980 Green .  
 4,241,861 12/1980 Fleischer ..... 227/135  
 4,244,372 1/1981 Kapitanov et al. .

[57] CLAIM  
 The ornamental design for a surgical stapler, as shown and described.

DESCRIPTION

FIG. 1 is a perspective view of a surgical stapler showing our new design;  
 FIG. 2 is a side elevational view thereof;  
 FIG. 3 is an elevational view from the side opposite of FIG. 2;  
 FIG. 4 is a top plan view thereof;  
 FIG. 5 is a bottom plan view thereof;  
 FIG. 6 is a front elevational view thereof;  
 FIG. 7 is a rear elevational view thereof; and  
 FIG. 8 is a side elevational view showing the surgical stapler partially disassembled.



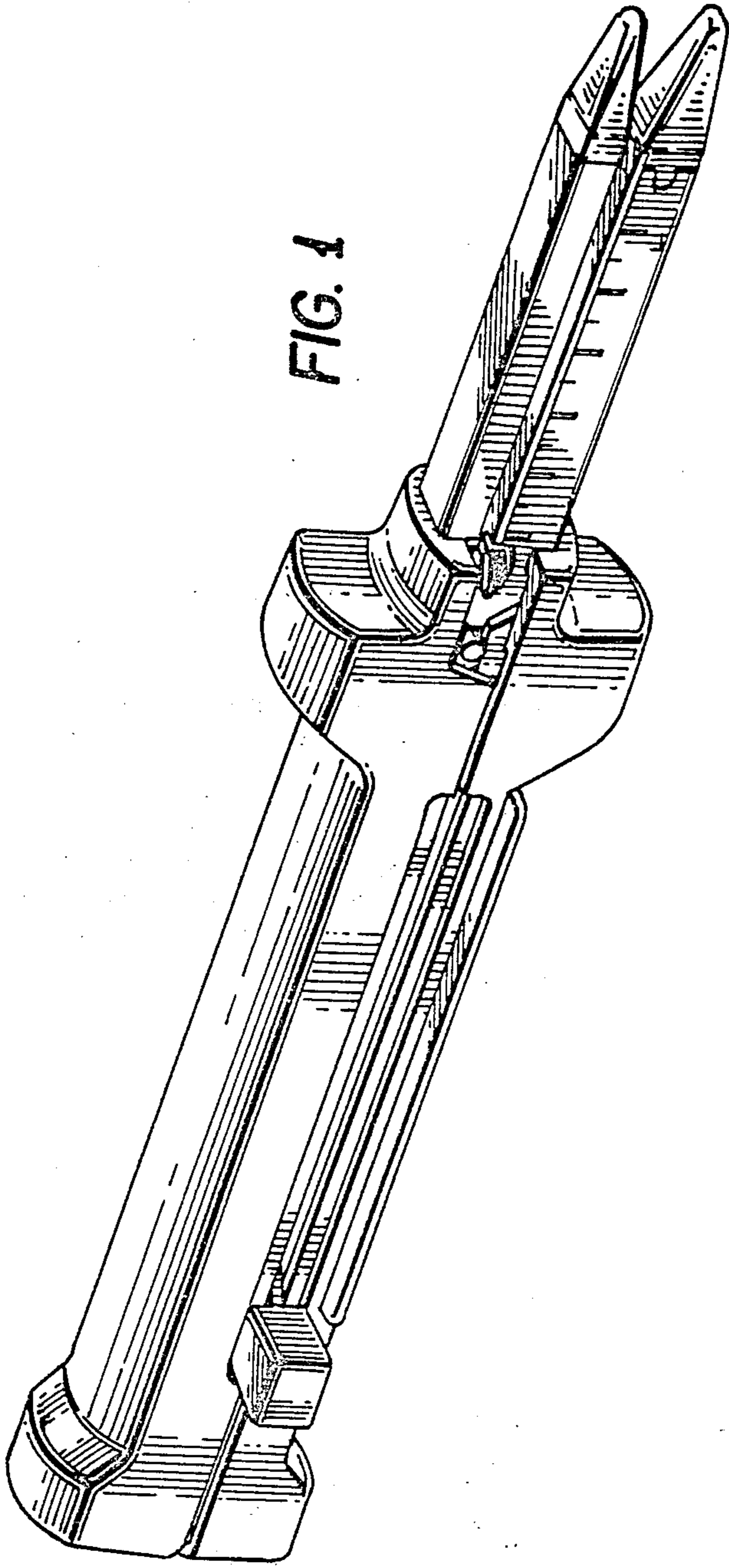


FIG. 1

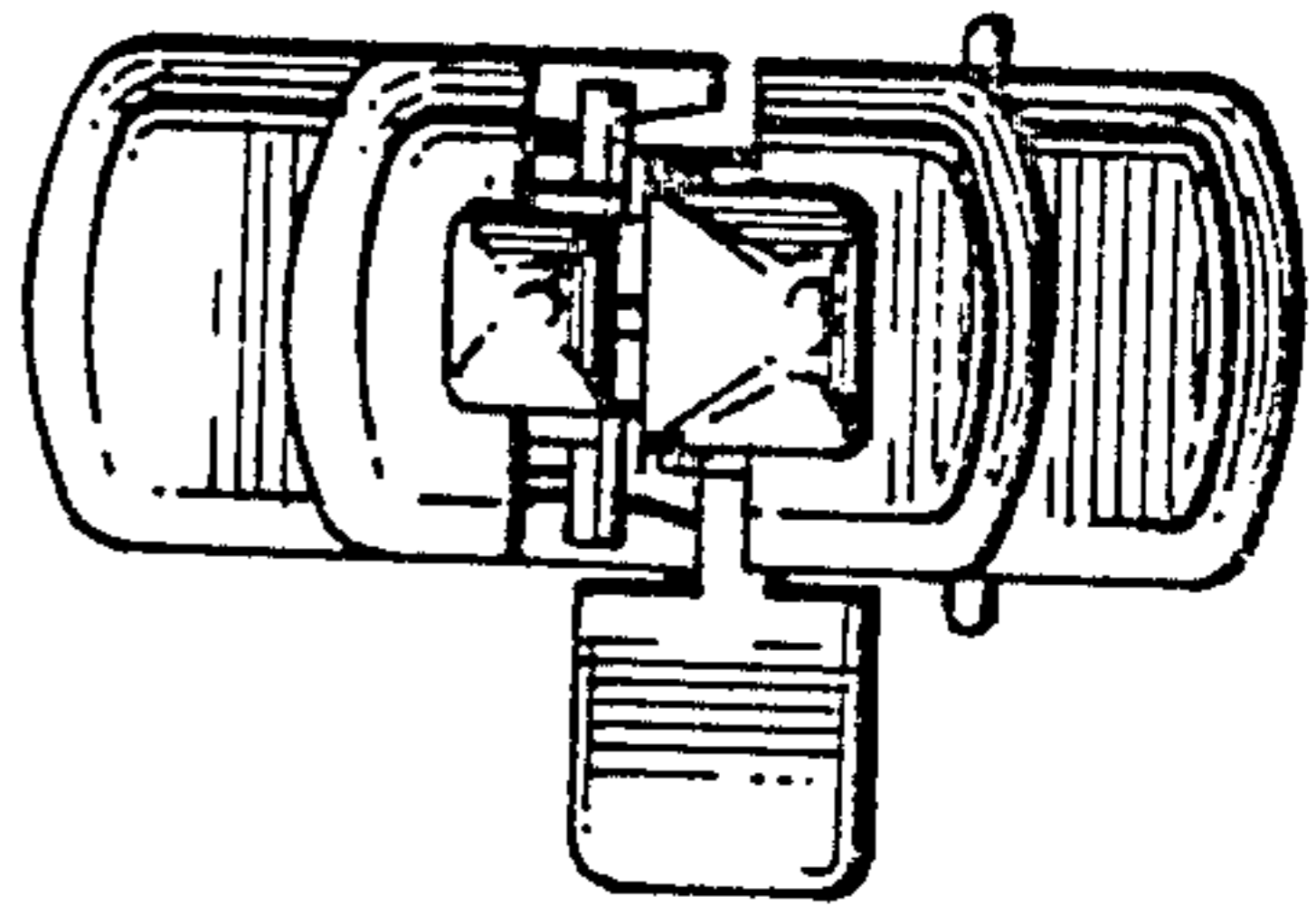


FIG. 6

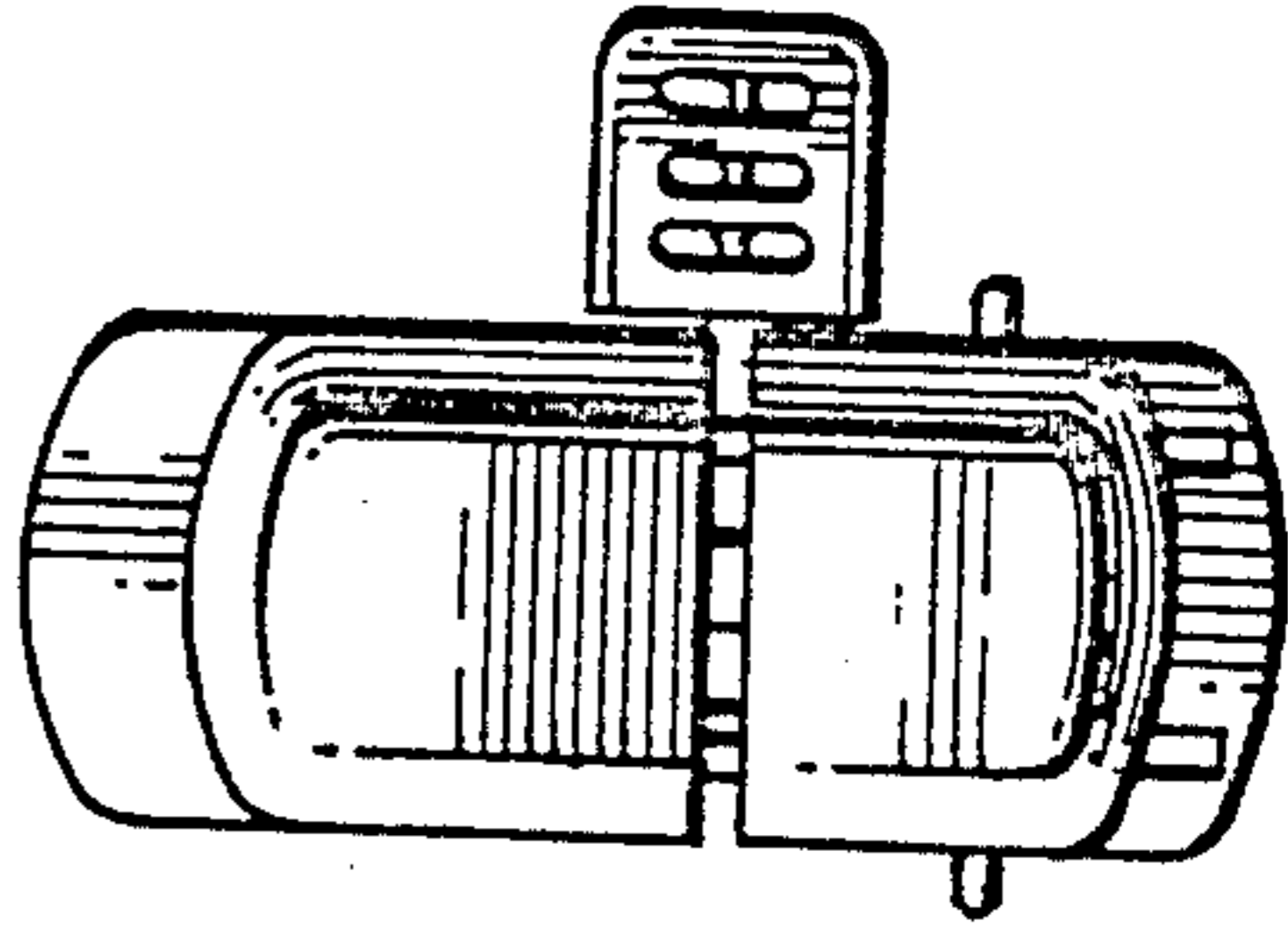


FIG. 7



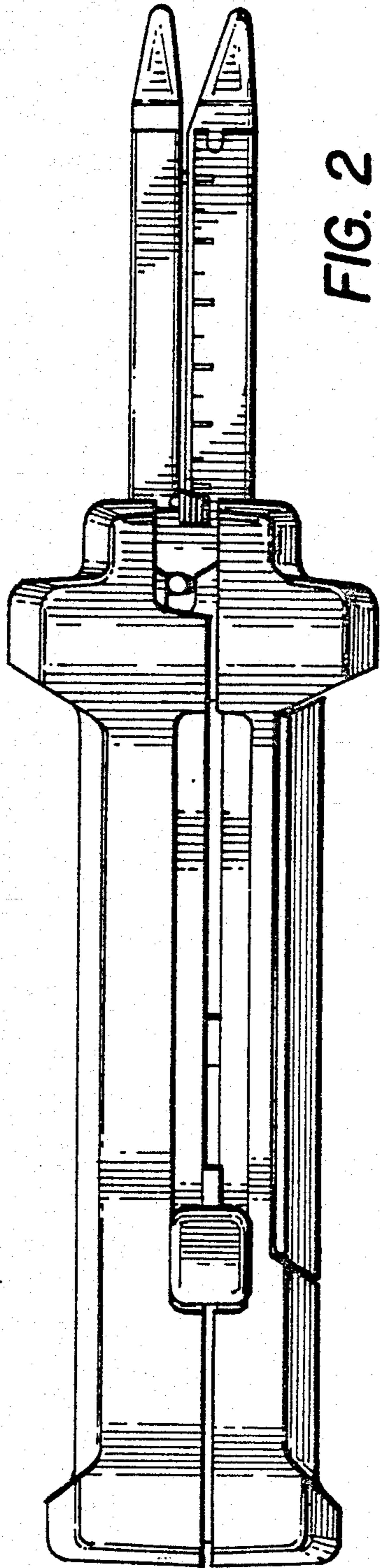


FIG. 2

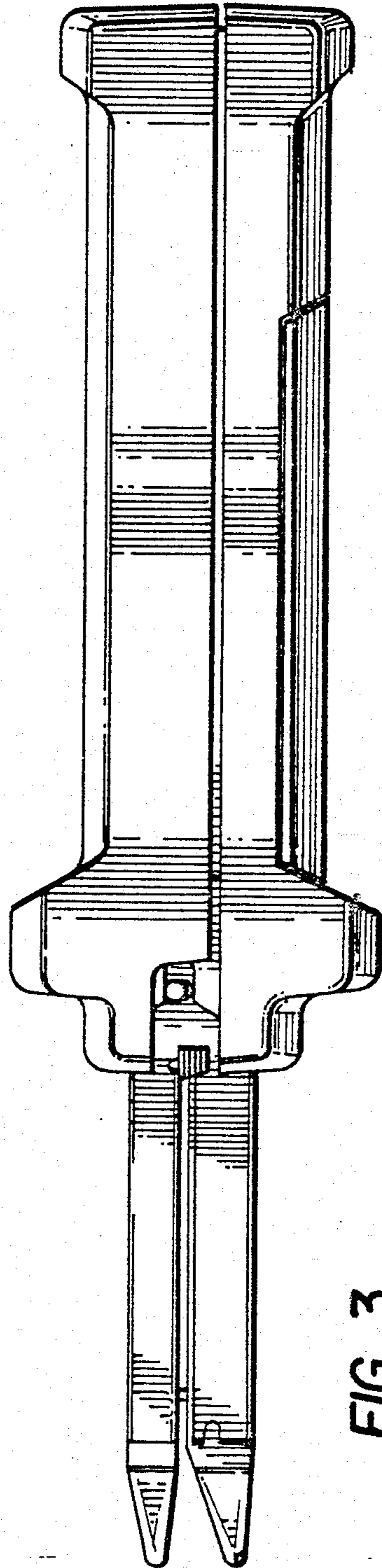


FIG. 3

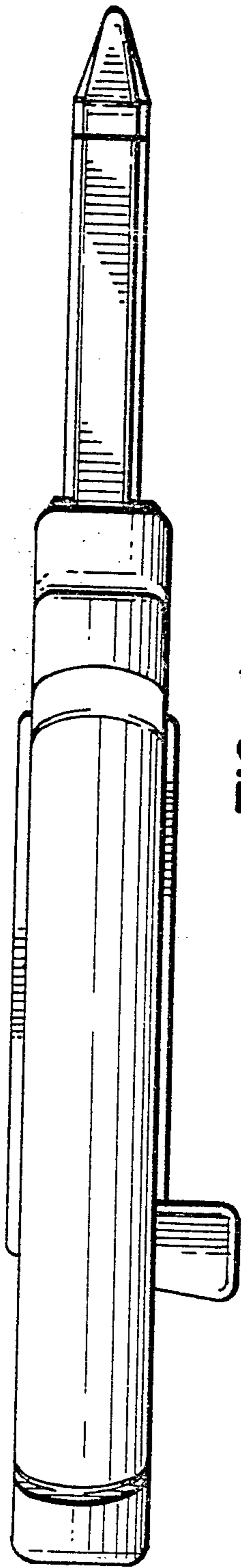


FIG. 4

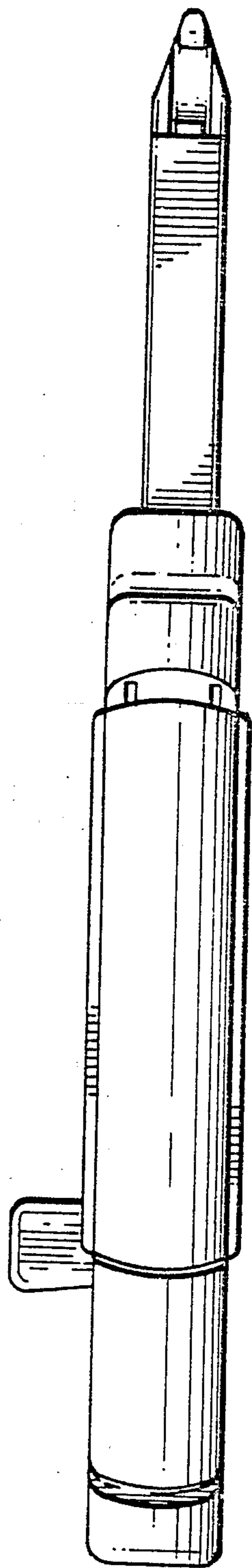


FIG. 5

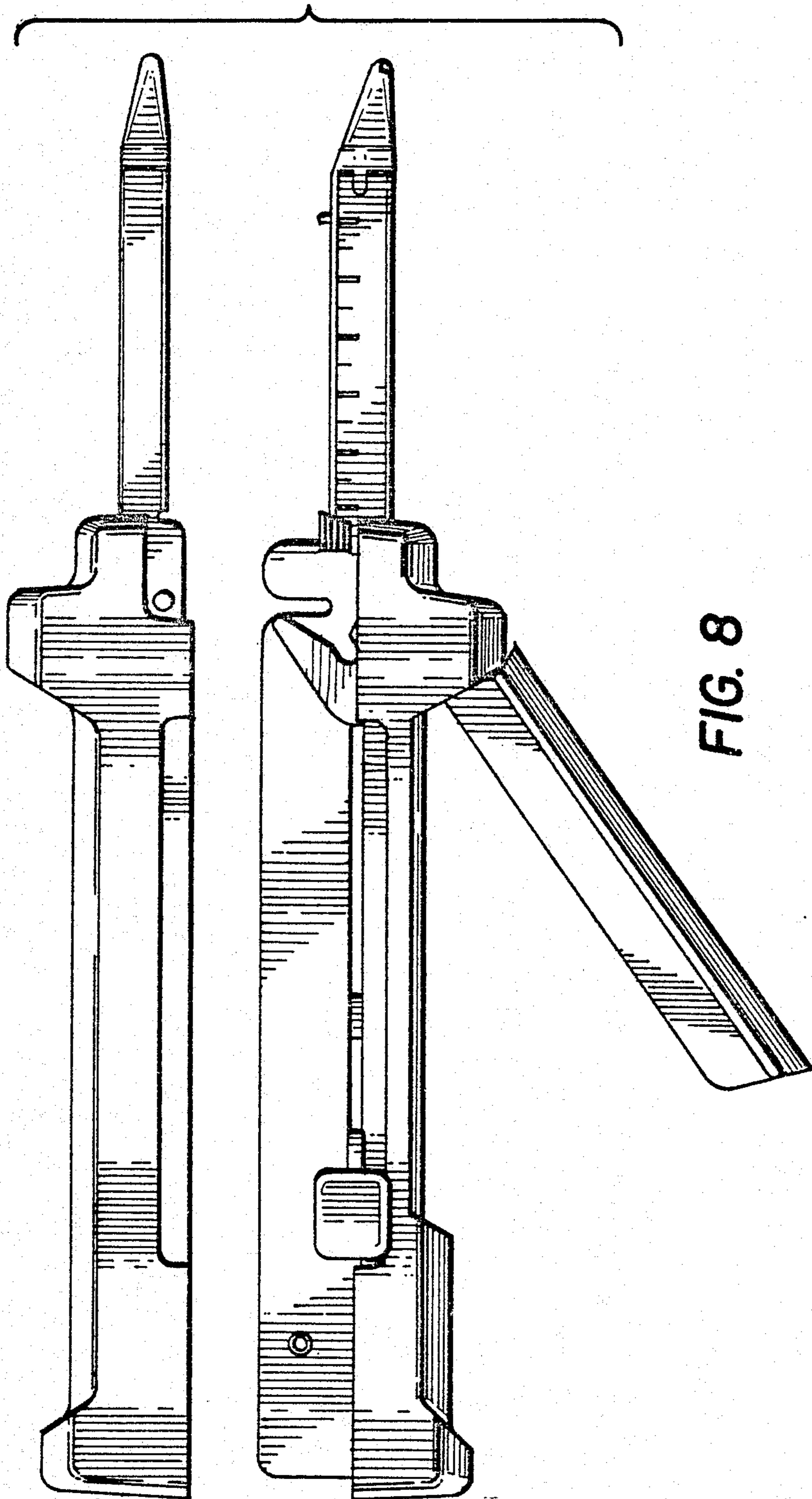


FIG. 8