

[54] SOLAR TILE

4,470,406 9/1984 Rinklake et al. 126/DIG. 2 X

[75] Inventor: Kenneth L. Lock, West Pennant Hills, Australia

FOREIGN PATENT DOCUMENTS

2807487 8/1979 Fed. Rep. of Germany ... 126/DIG. 2

[73] Assignee: Lockland Developments Pty. Ltd., Australia

Primary Examiner—Catherine E. Kemper
Attorney, Agent, or Firm—Ladas & Parry

[**] Term: 14 Years

[57] CLAIM

[21] Appl. No.: 523,646

The ornamental design for a solar tile, substantially as shown and described.

[22] Filed: Aug. 15, 1983

[52] U.S. Cl. D23/72

DESCRIPTION

[58] Field of Search 126/449, DIG. 2, 442, 126/446, 447, 448, 450; D23/72, 127

FIG. 1 is a top plan view of a solar tile, showing my new design;

FIG. 2 is a bottom plan view thereof;

FIG. 3 is an end elevational view thereof;

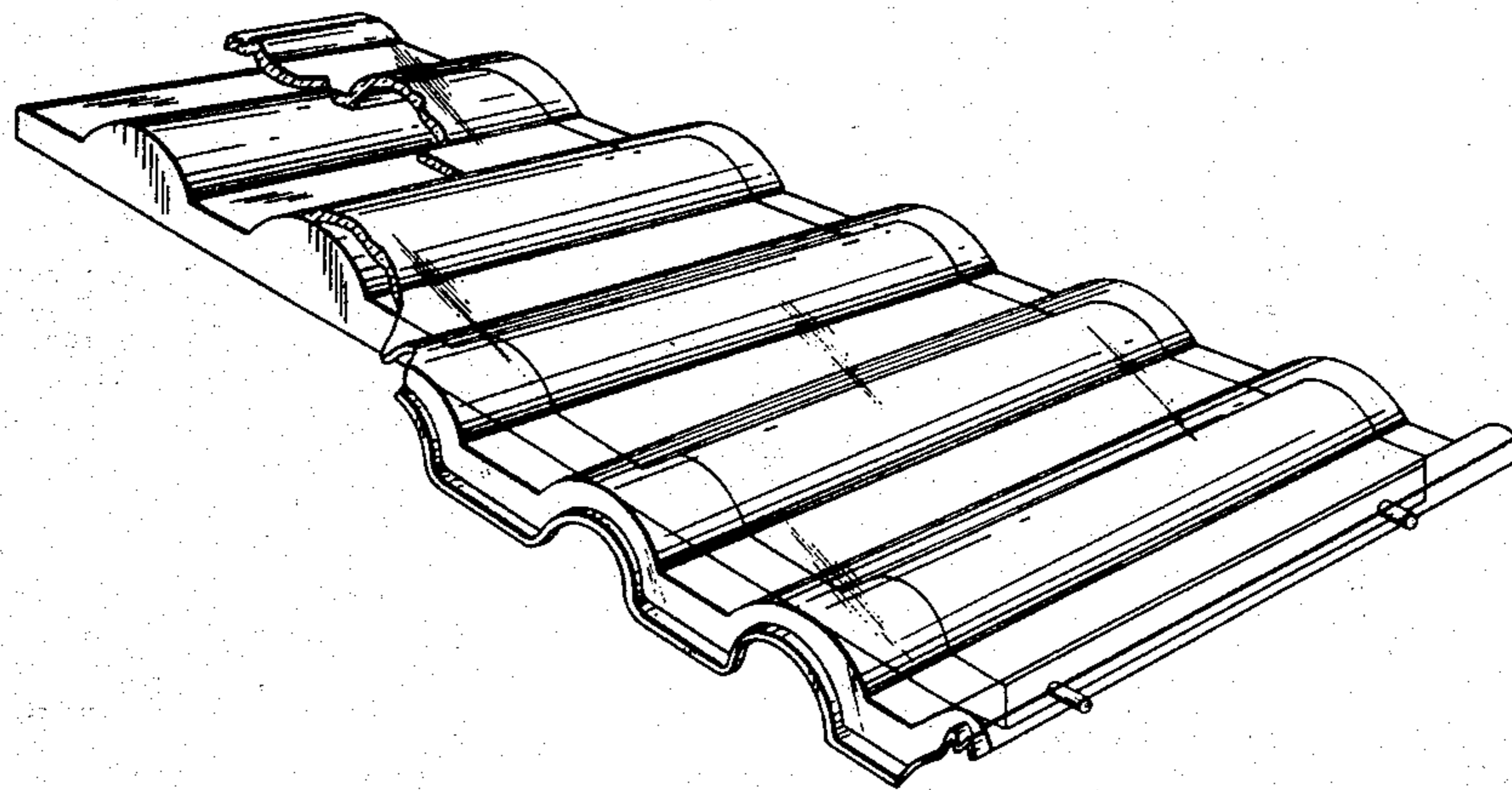
FIG. 4 is a side elevational view thereof;

FIG. 5 is a top perspective view thereof, shown with the upper transparent portion partially broken away.

[56] References Cited

U.S. PATENT DOCUMENTS

D. 262,307 12/1981 Parlato D23/72
4,284,065 8/1981 Brill-Edwards 126/DIG. 2 X



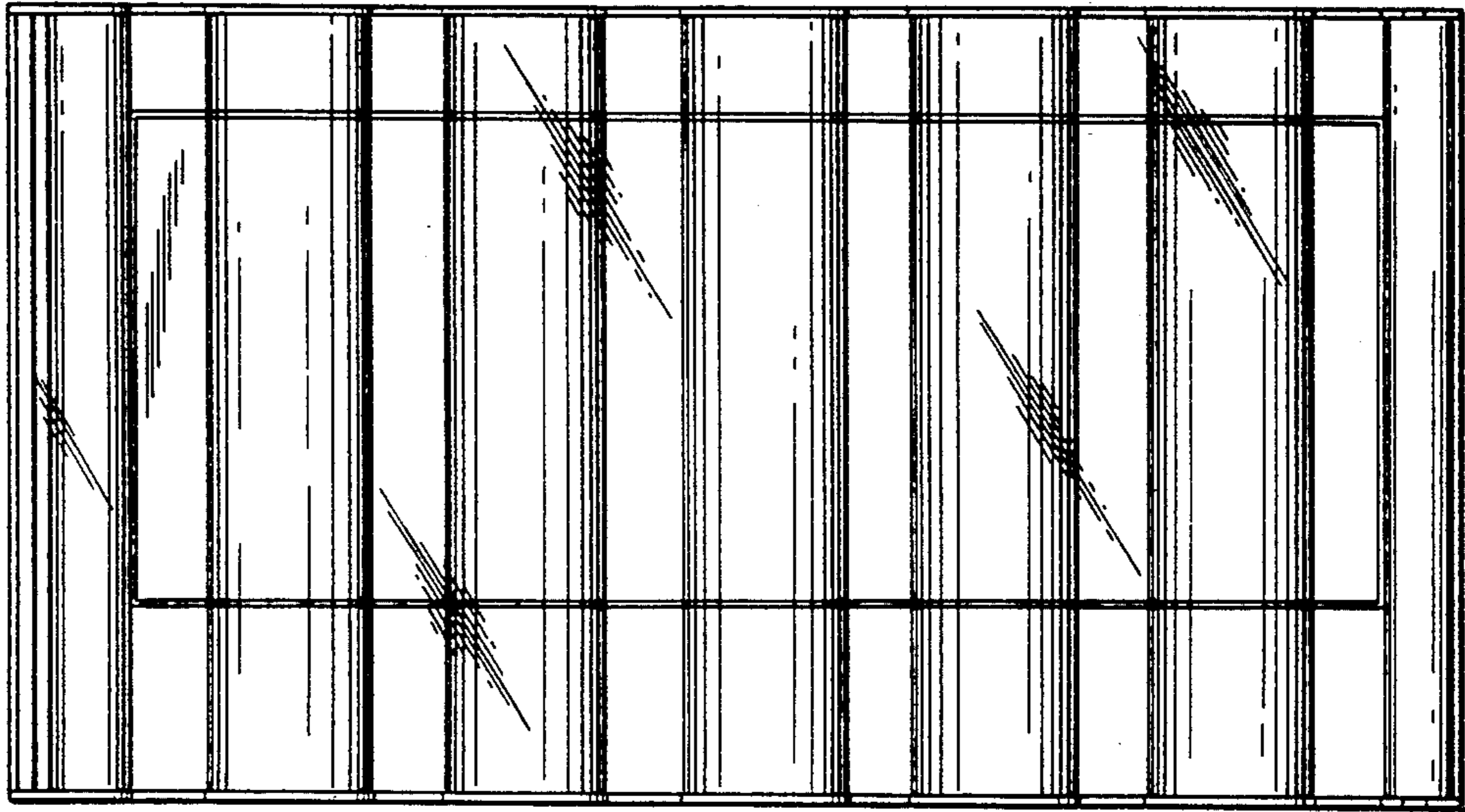


Fig. 1

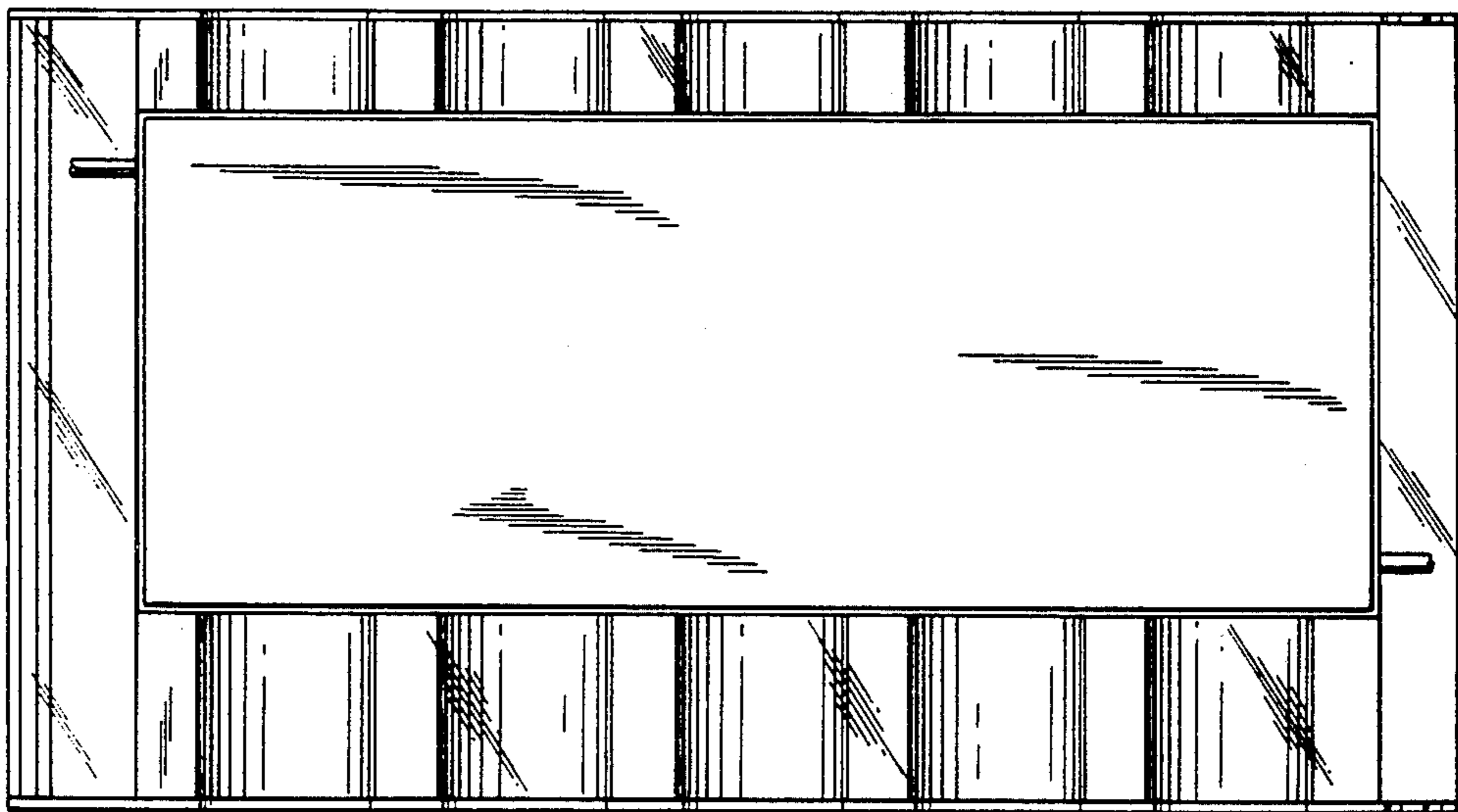


Fig. 2



Fig. 3

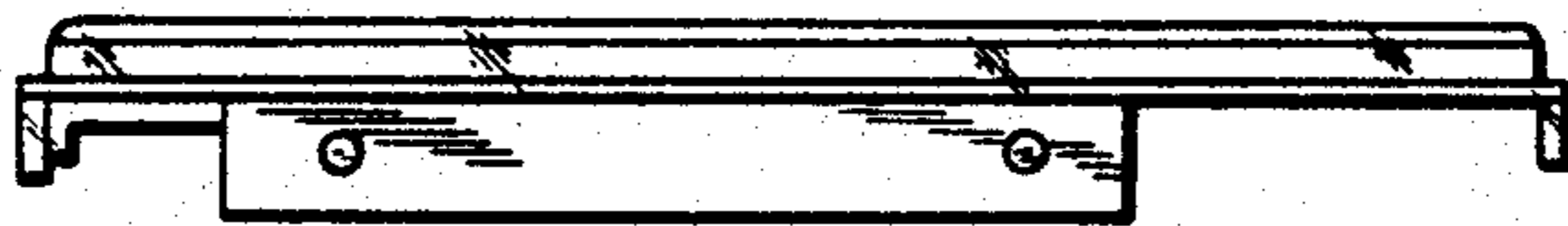


Fig. 4

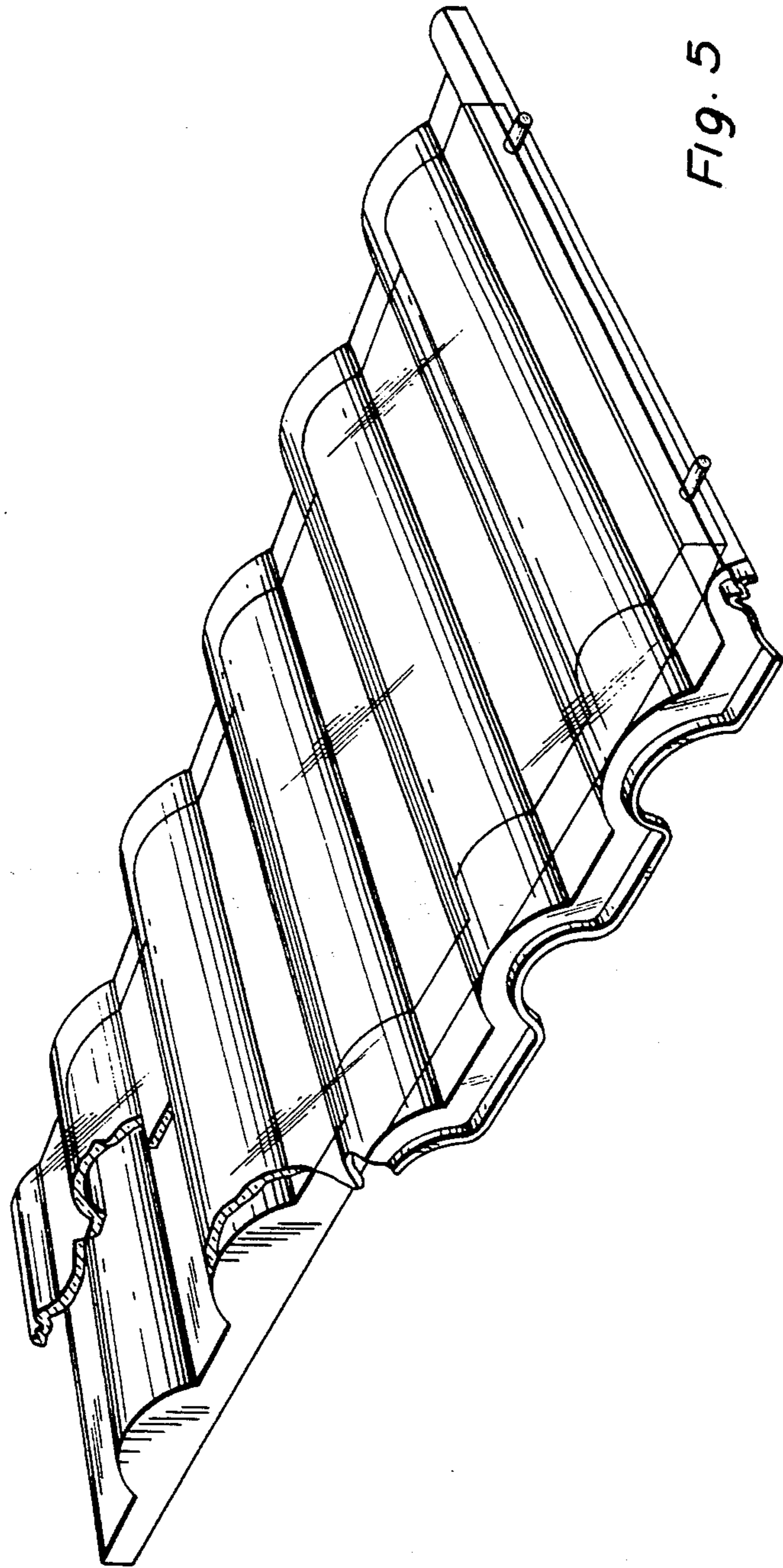


Fig. 5