

[54] AIR ACTUATED GLUE VALVE

[75] Inventor: Edmund Neckel, Cincinnati, Ohio

[73] Assignee: Valco Cincinnati, Inc., Cincinnati, Ohio

[**] Term: 14 Years

[21] Appl. No.: 558,101

[22] Filed: Dec. 5, 1983

[52] U.S. Cl. D23/19

[58] Field of Search D23/19-22, D23/38, 39; 251/61, 61.3

[56] References Cited

U.S. PATENT DOCUMENTS

D. 111,349	9/1938	Lavallee	D23/19
D. 139,952	1/1945	Kehle	D23/19
D. 142,703	10/1945	Collins	D23/19
D. 195,320	5/1963	Ages et al.	D23/21
D. 273,698	5/1984	Pace	D23/19

4,486,001 12/1984 Santefort et al. 251/61.3

Primary Examiner—Wallace R. Burke
Attorney, Agent, or Firm—Frost & Jacobs

[57] CLAIM

The ornamental design for a air actuated glue valve, as shown and described.

DESCRIPTION

FIG. 1 is a perspective view taken from the top, front and right side of an air actuated glue valve showing my new design;

FIG. 2 is a top plan view thereof;

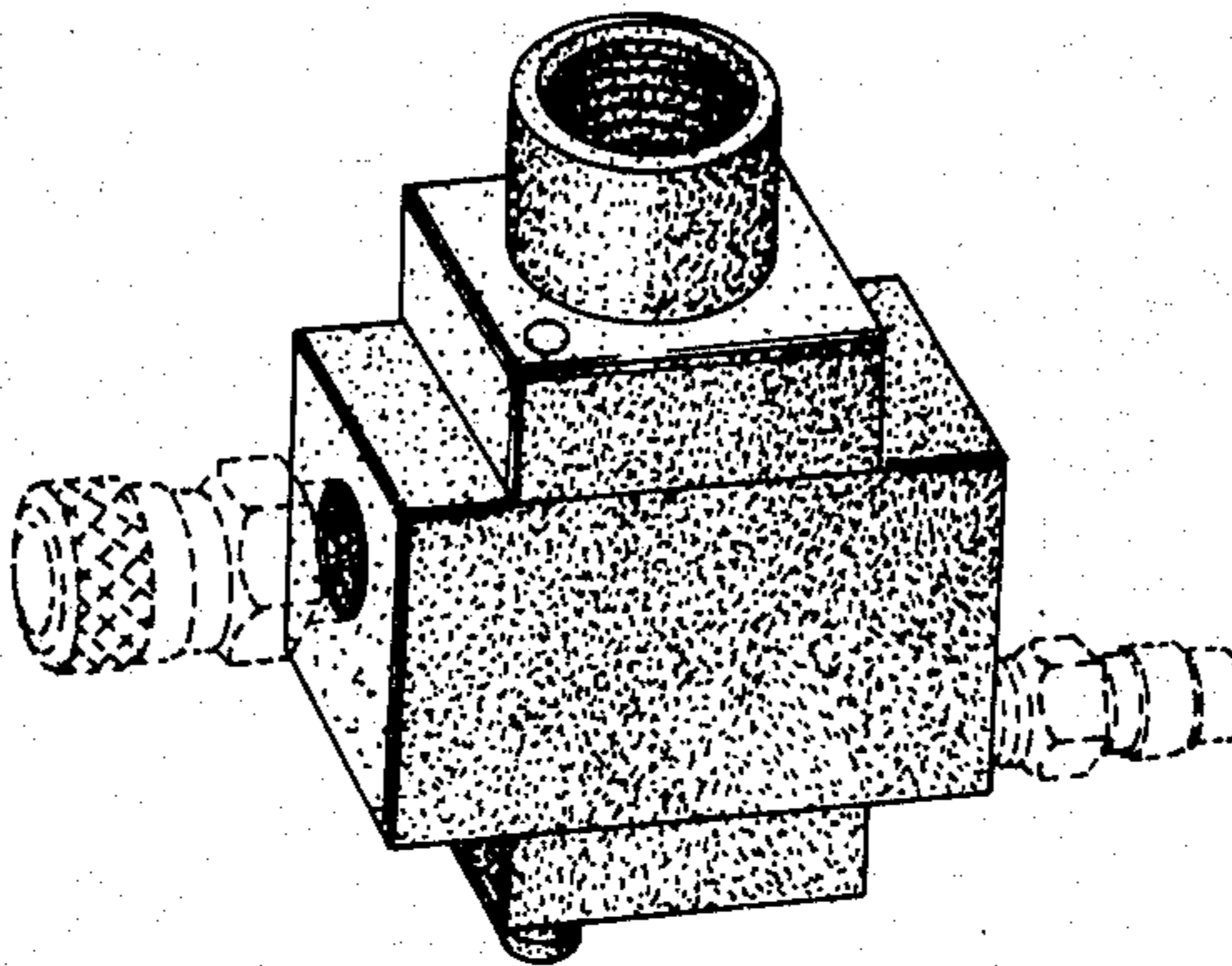
FIG. 3 is a front elevational view thereof;

FIG. 4 is a right side elevational view thereof, the left side being a mirror image of the right side;

FIG. 5 is a rear elevational view thereof;

FIG. 6 is a bottom plan view thereof.

The broken line representation of connecting fittings in FIGS. 1, 2, 4 and 6 are for purposes of illustration only and forms no part of the claimed design.



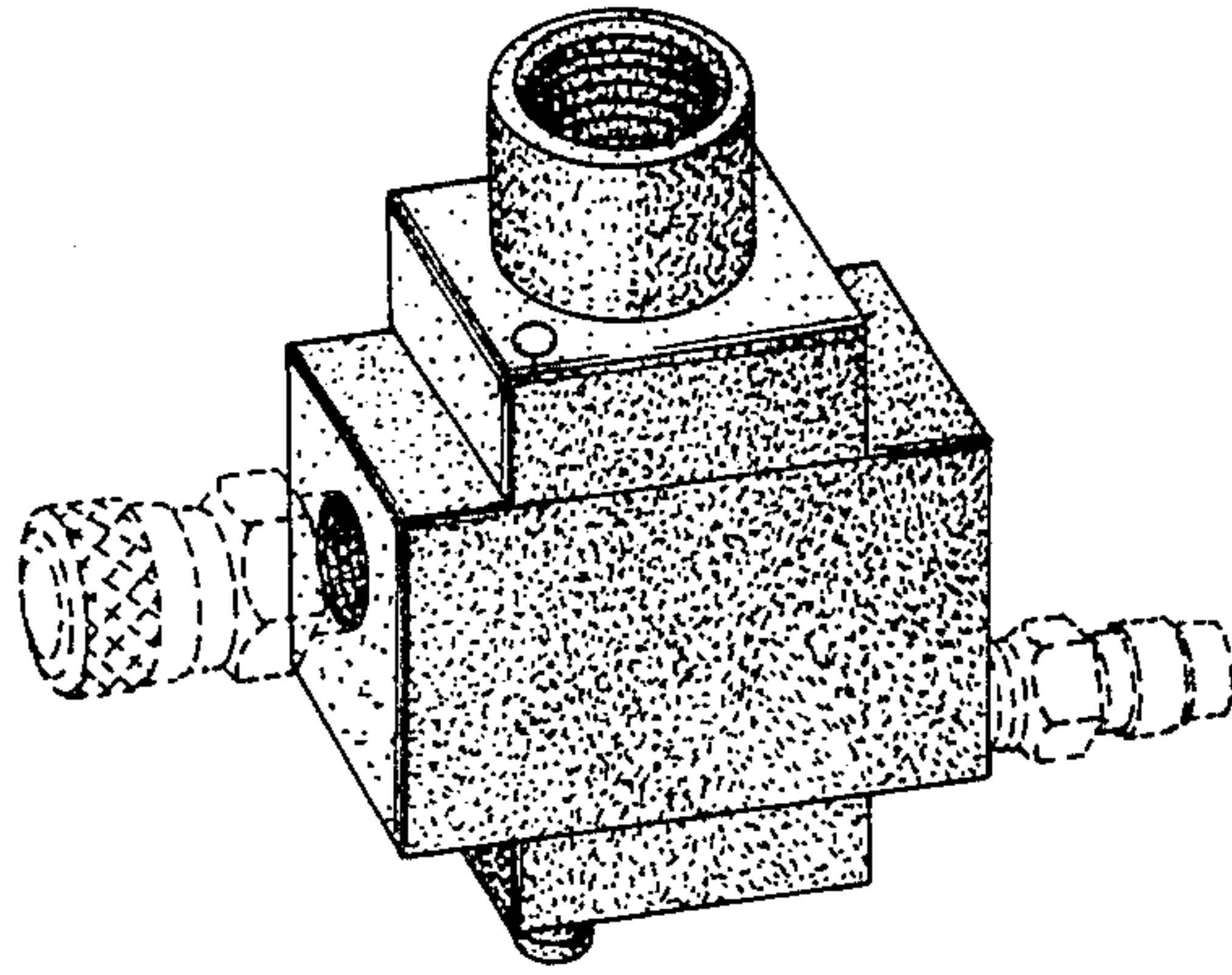


FIG. 1

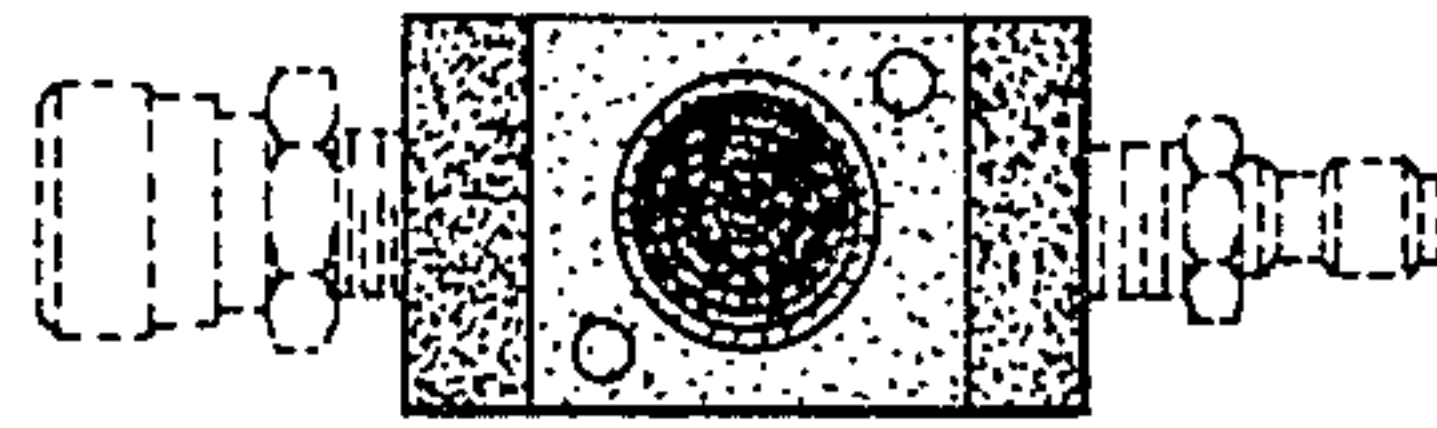


FIG. 2

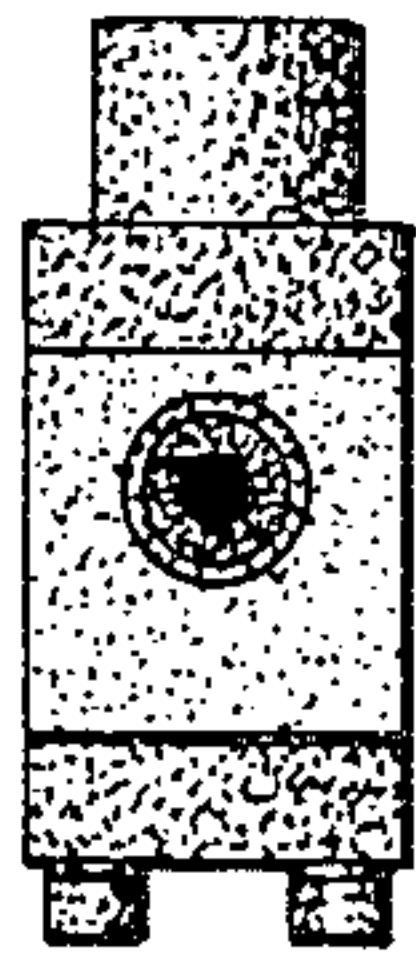


FIG. 3

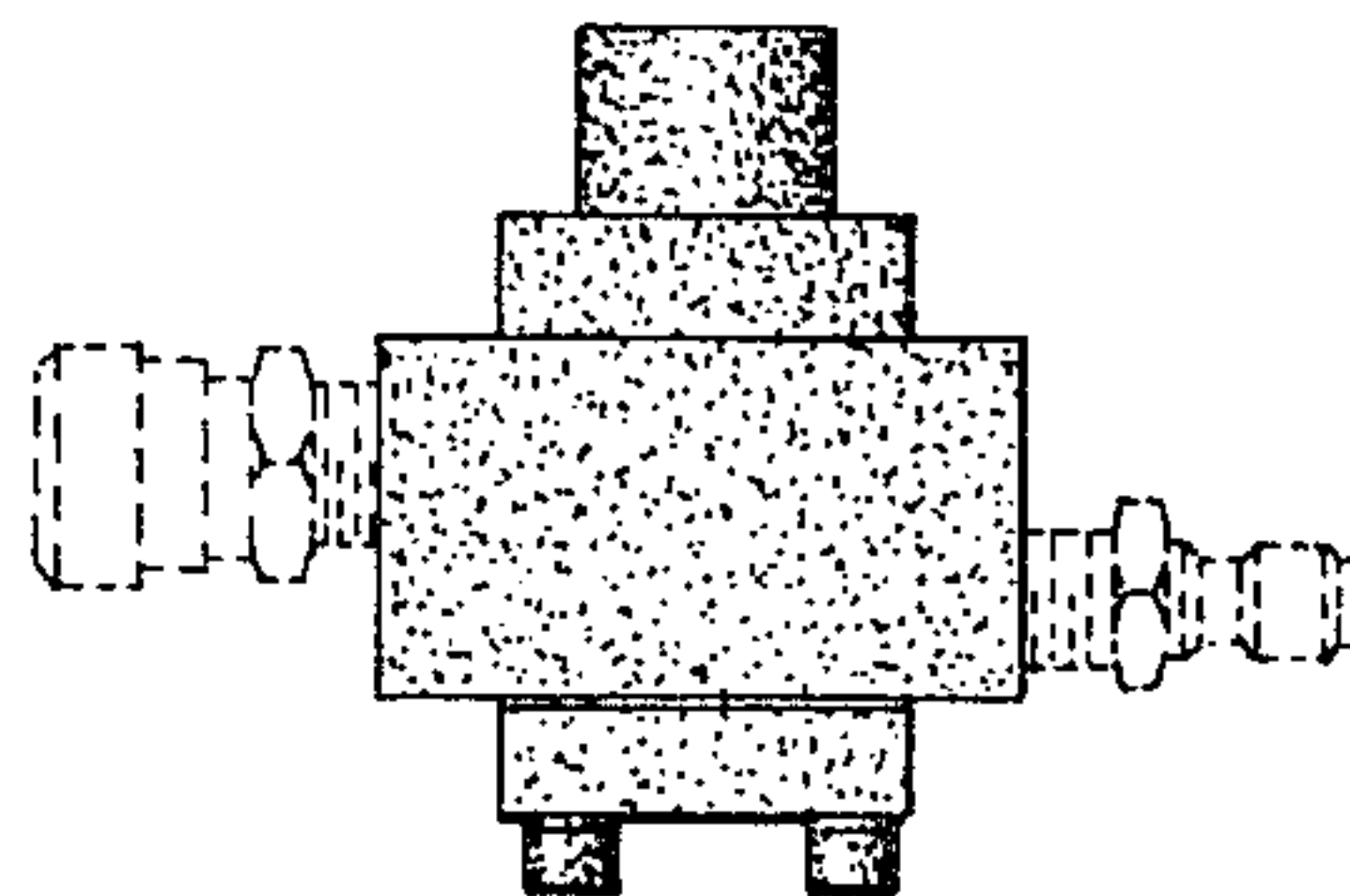


FIG. 4

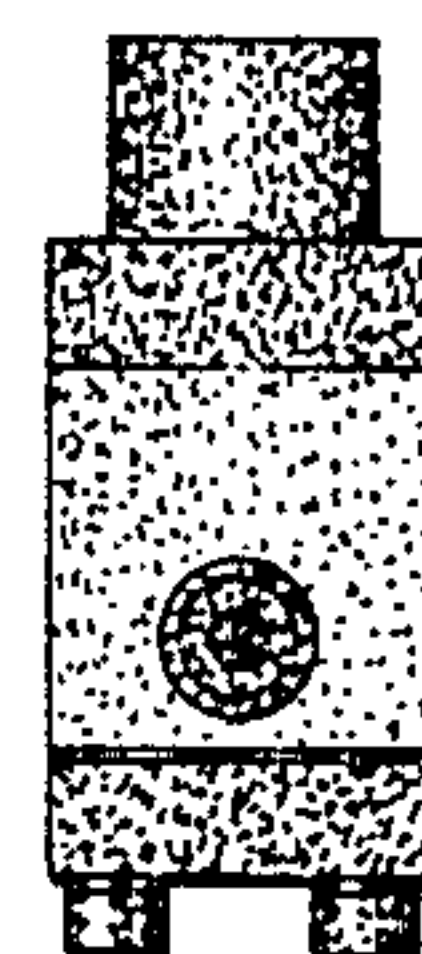


FIG. 5

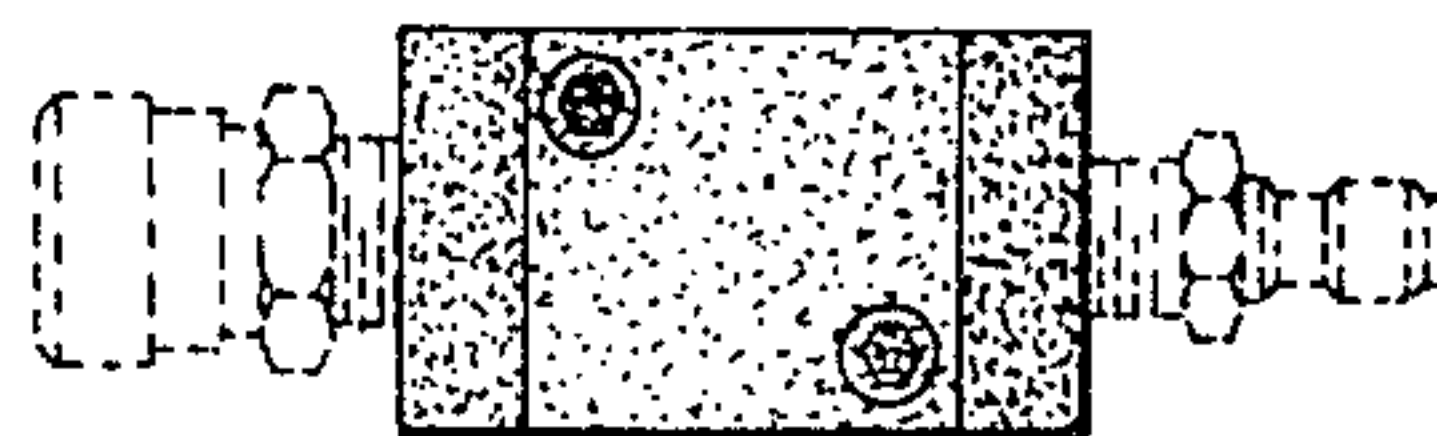


FIG. 6