

[54] HEAD SECTION WITH REMOVABLE CAP FOR YARD HYDRANTS

3,943,963 3/1976 Papacek ..... 137/307 X  
4,218,607 8/1980 Noland ..... 137/301 X  
4,372,339 2/1983 Anderson ..... 137/288

[75] Inventor: Stephen J. Anderson, Storm Lake, Iowa

Primary Examiner—Wallace R. Burke  
Assistant Examiner—Brian N. Vinson  
Attorney, Agent, or Firm—Morton S. Adler

[73] Assignee: Merrill Manufacturing Company, Storm Lake, Iowa

[\*\*] Term: 14 Years

[57] CLAIM

The ornamental design for a head section with removable cap for yard hydrants, as shown and described.

[21] Appl. No.: 609,709

DESCRIPTION

[22] Filed: May 14, 1984

[52] U.S. Cl. .... D23/12

[58] Field of Search ..... D23/12; 119/72, 73; 137/281-289, 301-308, 272-276

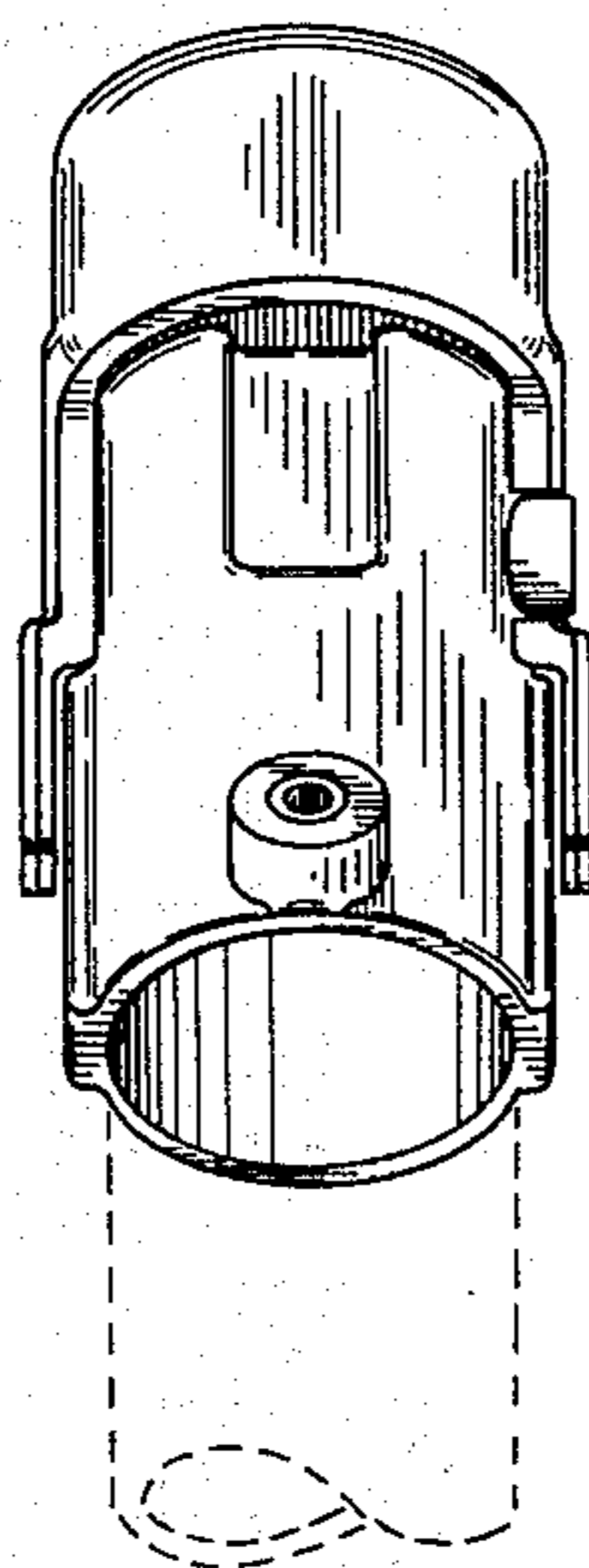
FIG. 1 is a perspective view of a head section with removable cap for yard hydrants showing my new design, the broken-line showing of the hydrant stand-pipe being shown for illustrative purposes only, and forming no part of the claimed design;

[56] References Cited

U.S. PATENT DOCUMENTS

983,545 2/1911 Ewart ..... 137/287  
2,552,729 5/1951 McGarry ..... 137/282  
3,494,373 2/1970 Horak et al. .... 137/217

FIG. 2 is an exploded right side elevation thereof; FIG. 3 is an exploded left side elevation thereof; FIG. 4 is an exploded rear elevation thereof; FIG. 5 is an exploded front elevation thereof; and FIG. 6 is a top plan view thereof.



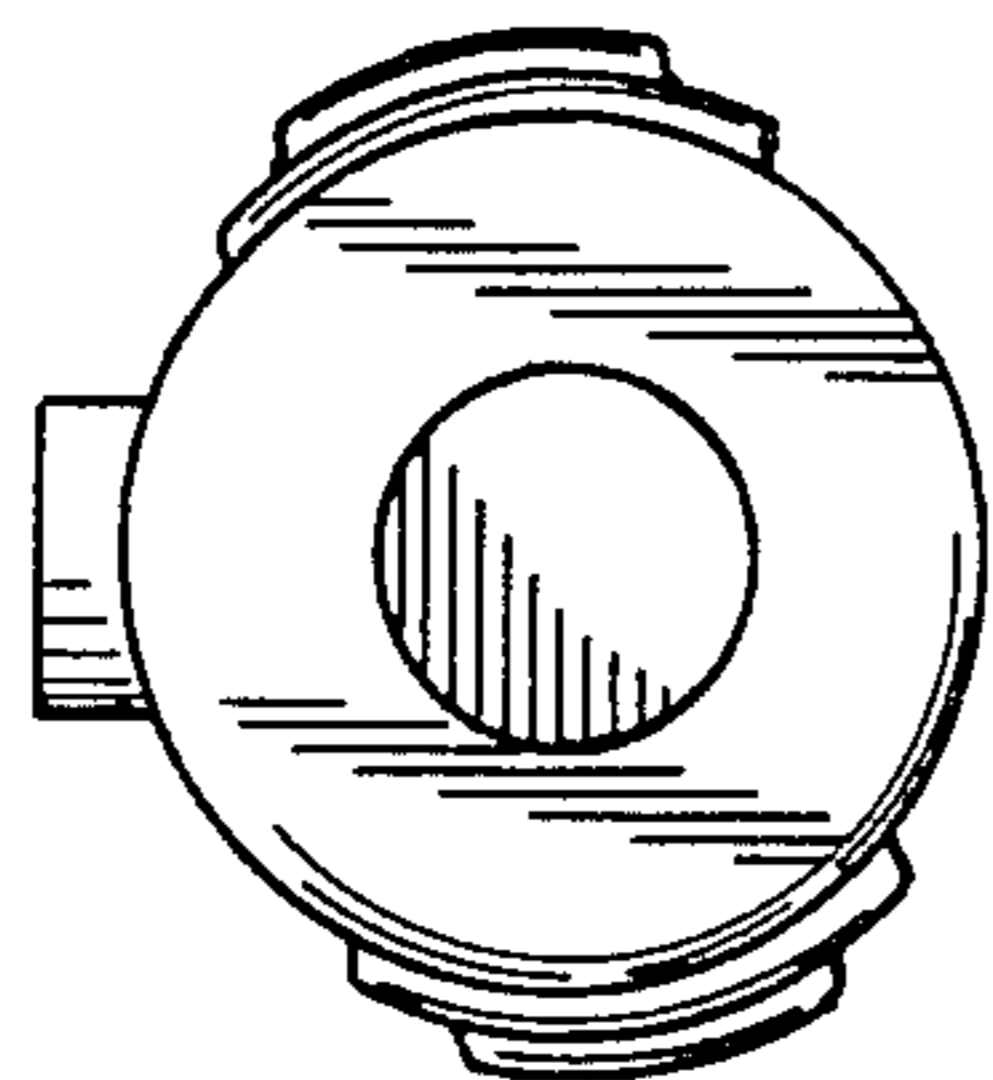
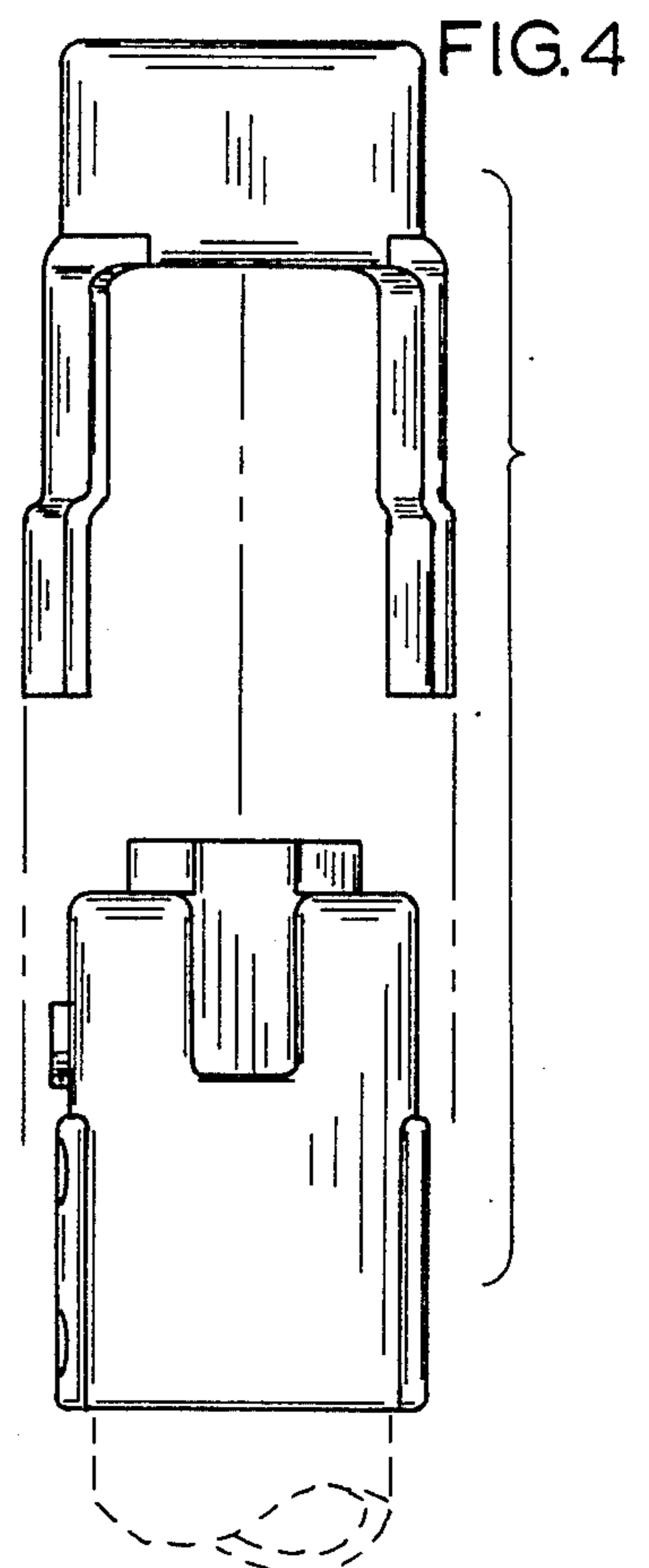
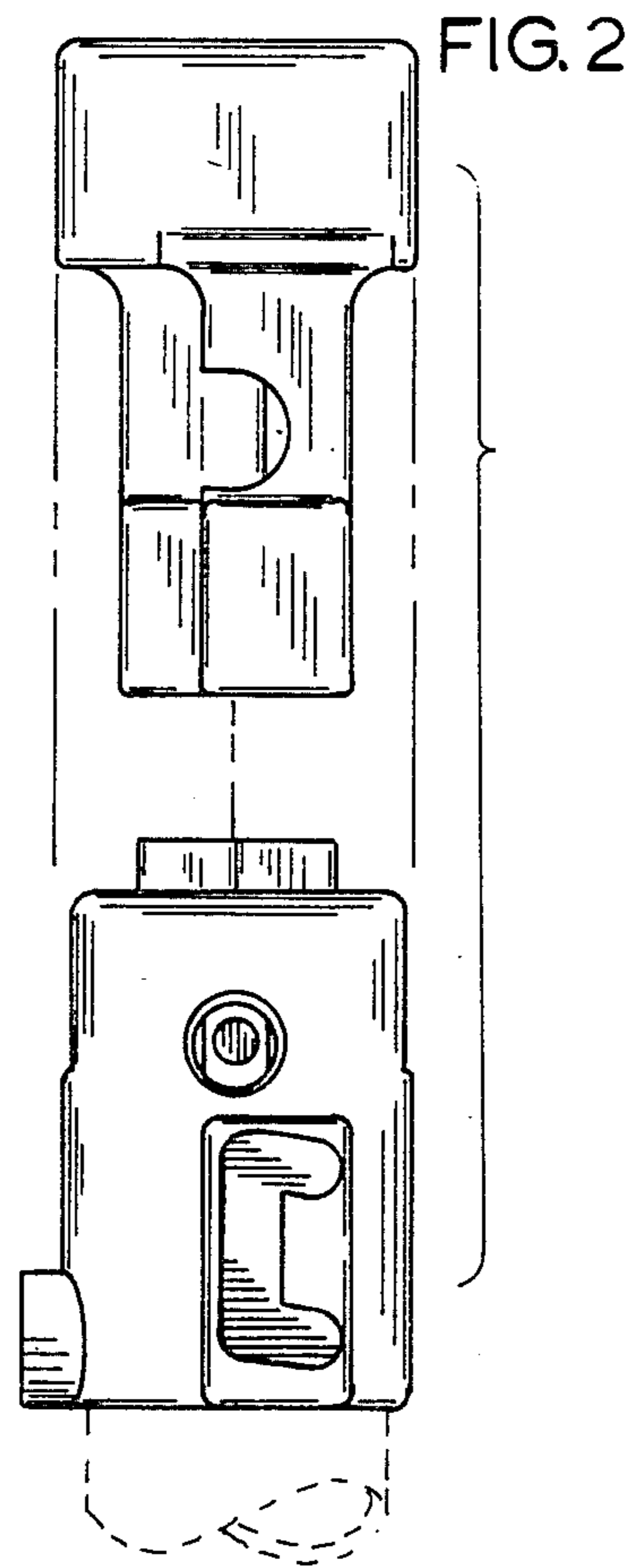
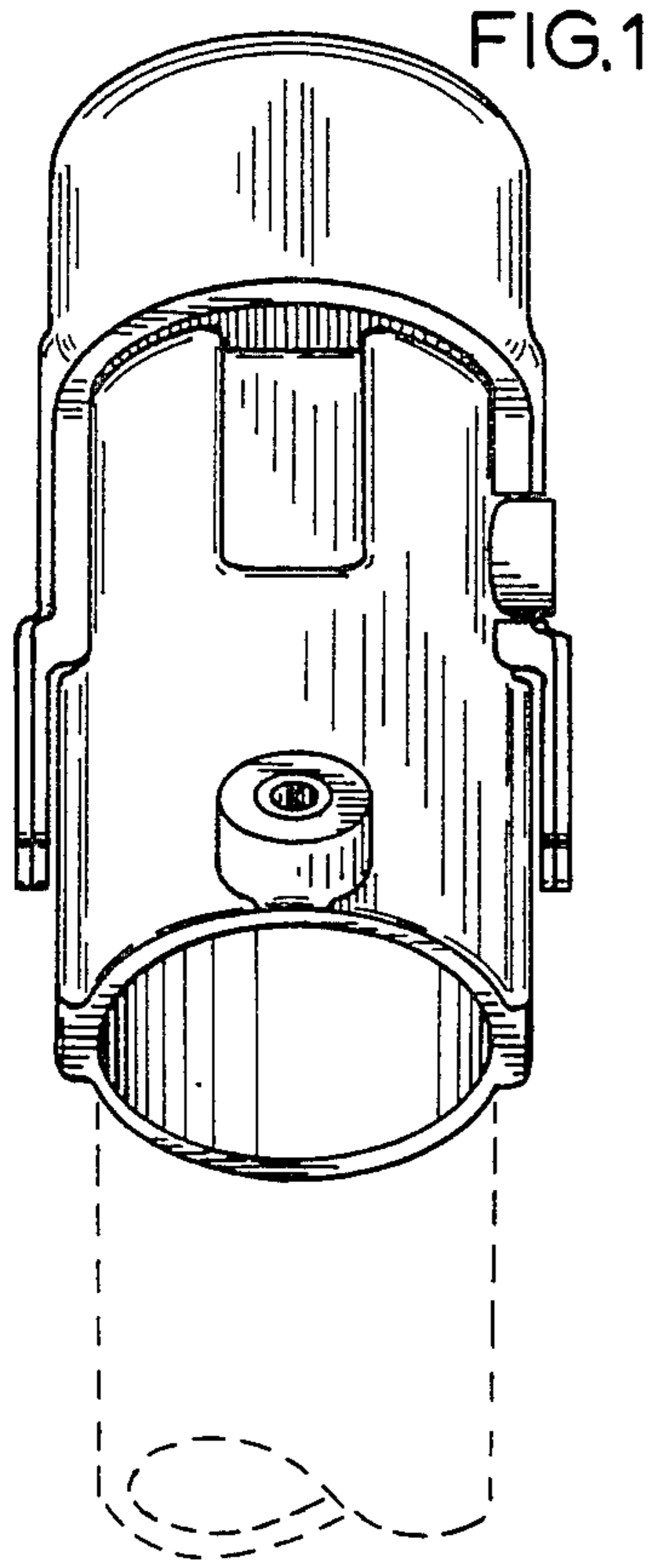


FIG.6

