

[54] COMBINED YARD HYDRANT AND HEAD WITH REMOVABLE CAP

[75] Inventor: Stephen J. Anderson, Storm Lake, Iowa

[73] Assignee: Merrill Manufacturing Company, Storm Lake, Iowa

[**] Term: 14 Years

[21] Appl. No.: 609,707

[22] Filed: May 14, 1984

[52] U.S. Cl. D23/12

[58] Field of Search D23/12; 119/72, 73; 137/281, 289, 301-308, 272-276

[56] References Cited

U.S. PATENT DOCUMENTS

| | | | |
|-----------|--------|--------------|-----------|
| 983,545 | 2/1911 | Ewart | 137/287 X |
| 2,552,729 | 5/1951 | McGarry | 137/282 |
| 3,131,711 | 5/1964 | Delaney | 137/286 |
| 3,494,373 | 2/1970 | Horak et al. | 137/217 |

| | | | |
|-----------|---------|-----------------|-----------|
| 3,885,585 | 5/1975 | Carpentier | 137/282 |
| 3,926,207 | 12/1975 | Anderson et al. | 137/281 |
| 3,943,963 | 3/1976 | Papacek | 137/307 X |
| 4,218,607 | 8/1980 | Noland | 137/301 X |

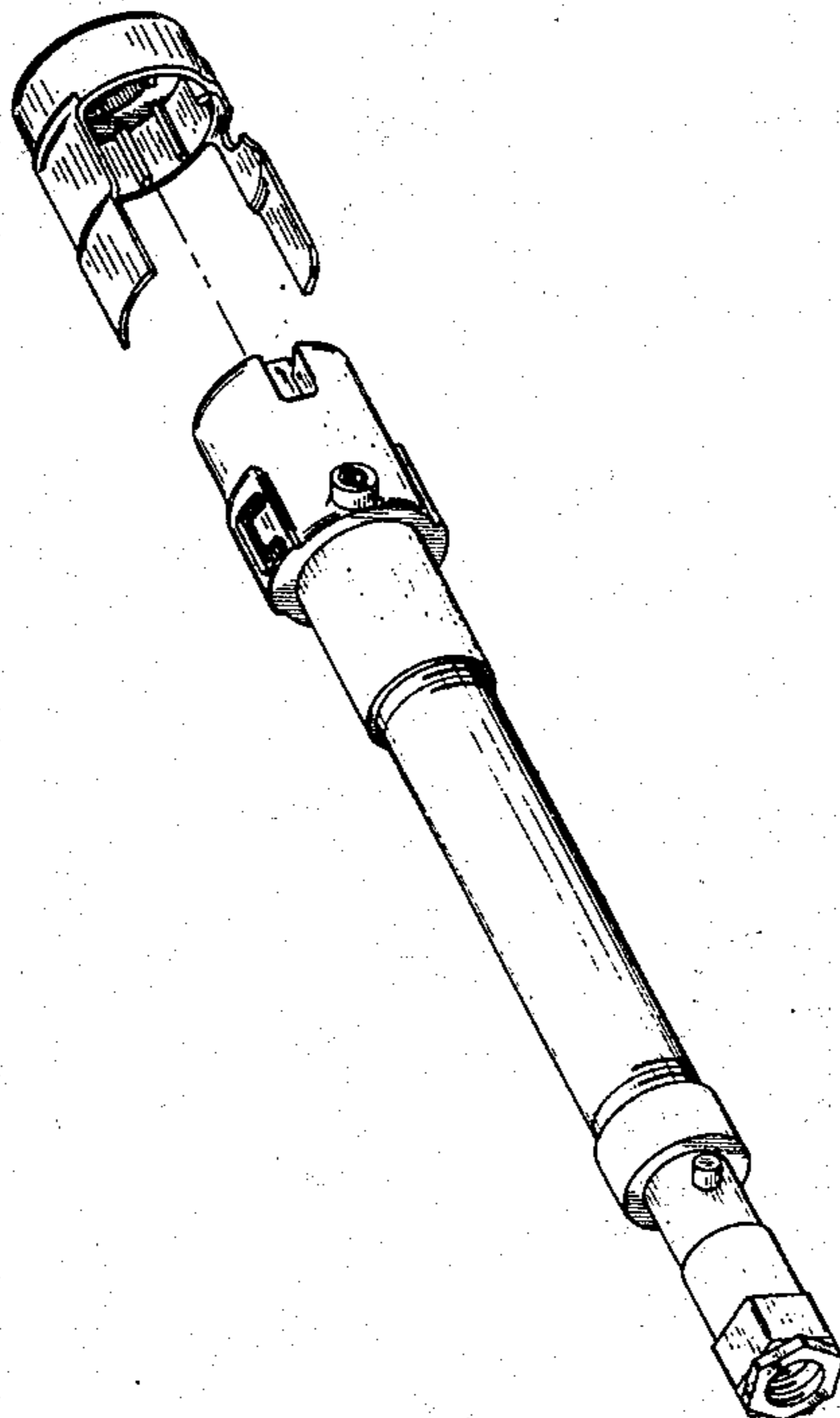
Primary Examiner—Wallace R. Burke
Assistant Examiner—Brian N. Vinson
Attorney, Agent, or Firm—Morton S. Adler

[57] CLAIM

The ornamental design for a combined yard hydrant and head with removable cap, as shown.

DESCRIPTION

FIG. 1 is an exploded perspective view of a combined yard hydrant and head with removable cap showing my new design;
FIG. 2 is a top plan view thereof;
FIG. 3 is a bottom plan view thereof;
FIG. 4 is a front elevation thereof;
FIG. 5 is a right side elevation thereof;
FIG. 6 is a rear elevation thereof; and
FIG. 7 is a left side elevation thereof.



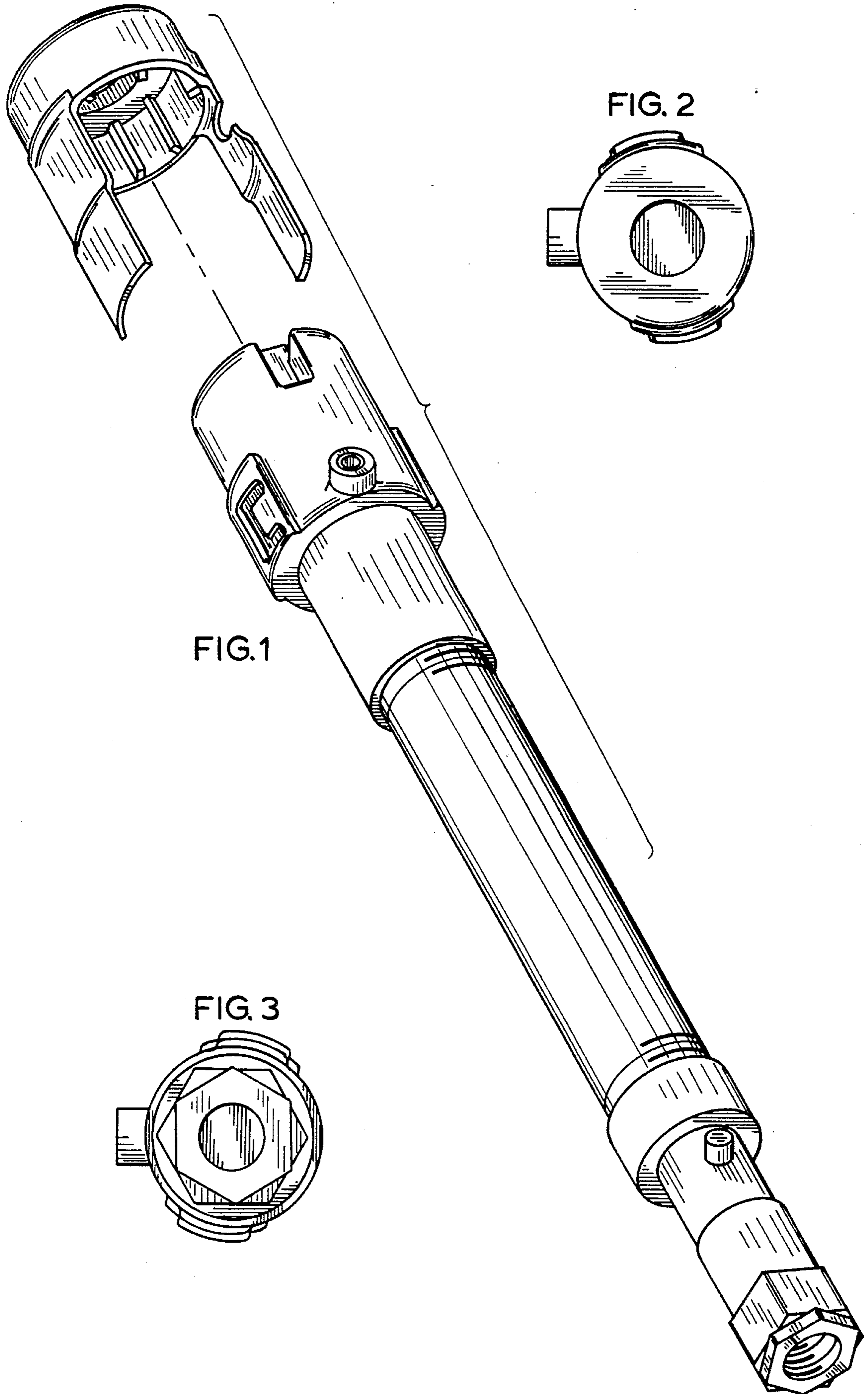


FIG. 4

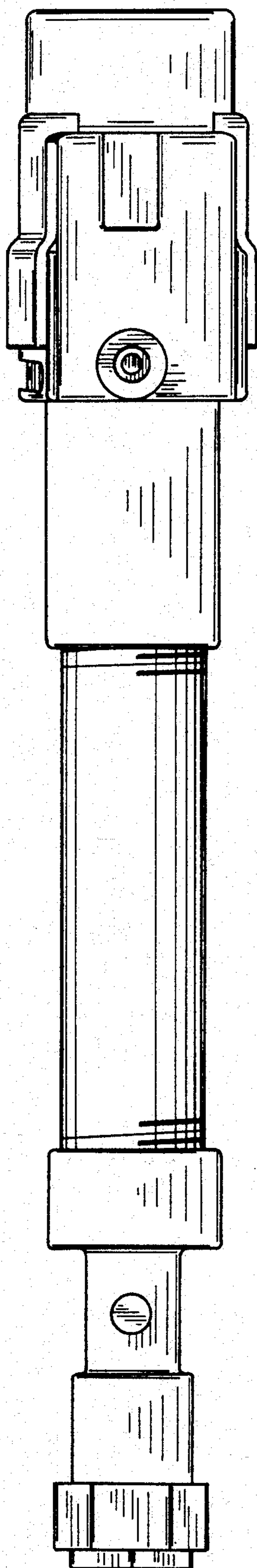


FIG. 6

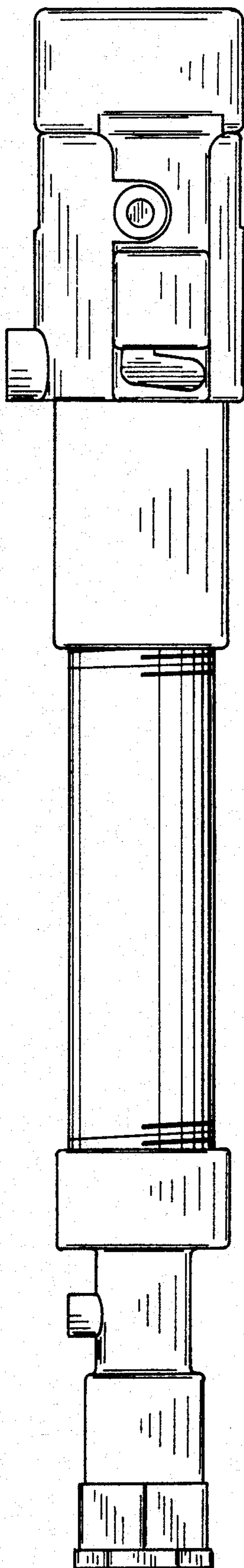


FIG. 5

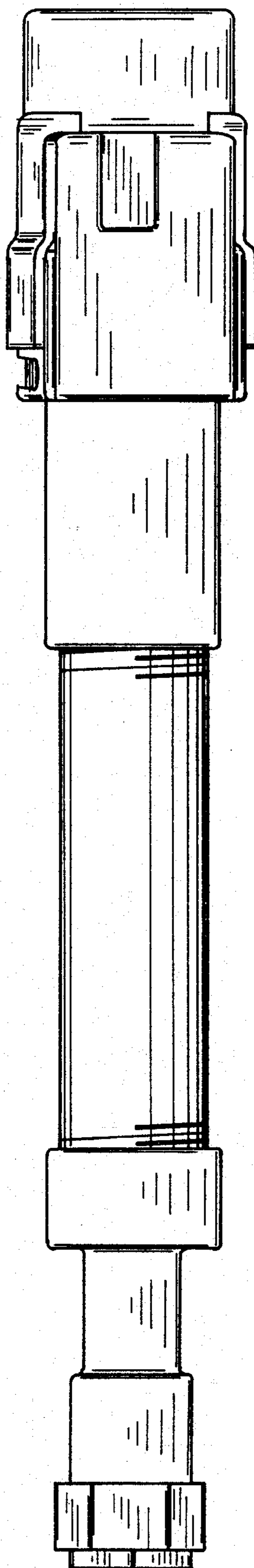


FIG. 7

