

[54] **FISHING REEL BAIL ARM**

[56] **References Cited**

[75] **Inventors: Kanji Iinuma; Yasuhisa Kameda, both of Tokyo, Japan**

U.S. PATENT DOCUMENTS

D. 245,784 9/1977 Okada D22/25
D. 269,030 5/1983 Hiraishi et al. D22/25
4,480,802 11/1984 Chang et al. 242/84.2 R

[73] **Assignee: Daiwa Seiko, Inc., Tokyo, Japan**

Primary Examiner—A. Hugo Word
Attorney, Agent, or Firm—Sughrue, Mion, Zinn, Macpeak, and Seas

[**] **Term: 14 Years**

[57] **CLAIM**

[21] **Appl. No.: 705,474**

The ornamental design for a fishing reel bail arm, as shown, and described.

[22] **Filed: Feb. 25, 1985**

DESCRIPTION

Related U.S. Application Data

[62] **Division of Ser. No. 486,769, Apr. 20, 1983.**

FIG. 1 is a left side elevational view of a fishing reel bail arm showing our new design;
FIG. 2 is a right side elevational view thereof;
FIG. 3 is a rear elevational view thereof;
FIG. 4 is a front elevational view thereof;
FIG. 5 is a top plan view thereof;
FIG. 6 is a bottom plan view thereof; and
FIG. 7 is a perspective view thereof as applied to a fishing reel.
The reel in FIG. 7 has been shown in broken lines for illustrative purposes only and forms no part of the claimed design.

[30] **Foreign Application Priority Data**

Dec. 28, 1982 [JP] Japan 57-58118
[52] **U.S. Cl. D22/140**
[58] **Field of Search D25/25; 242/84.1 R, 242/84.1 A, 84.2 R, 84.2 A, 84.2 F, 84.21 A, 84.4**

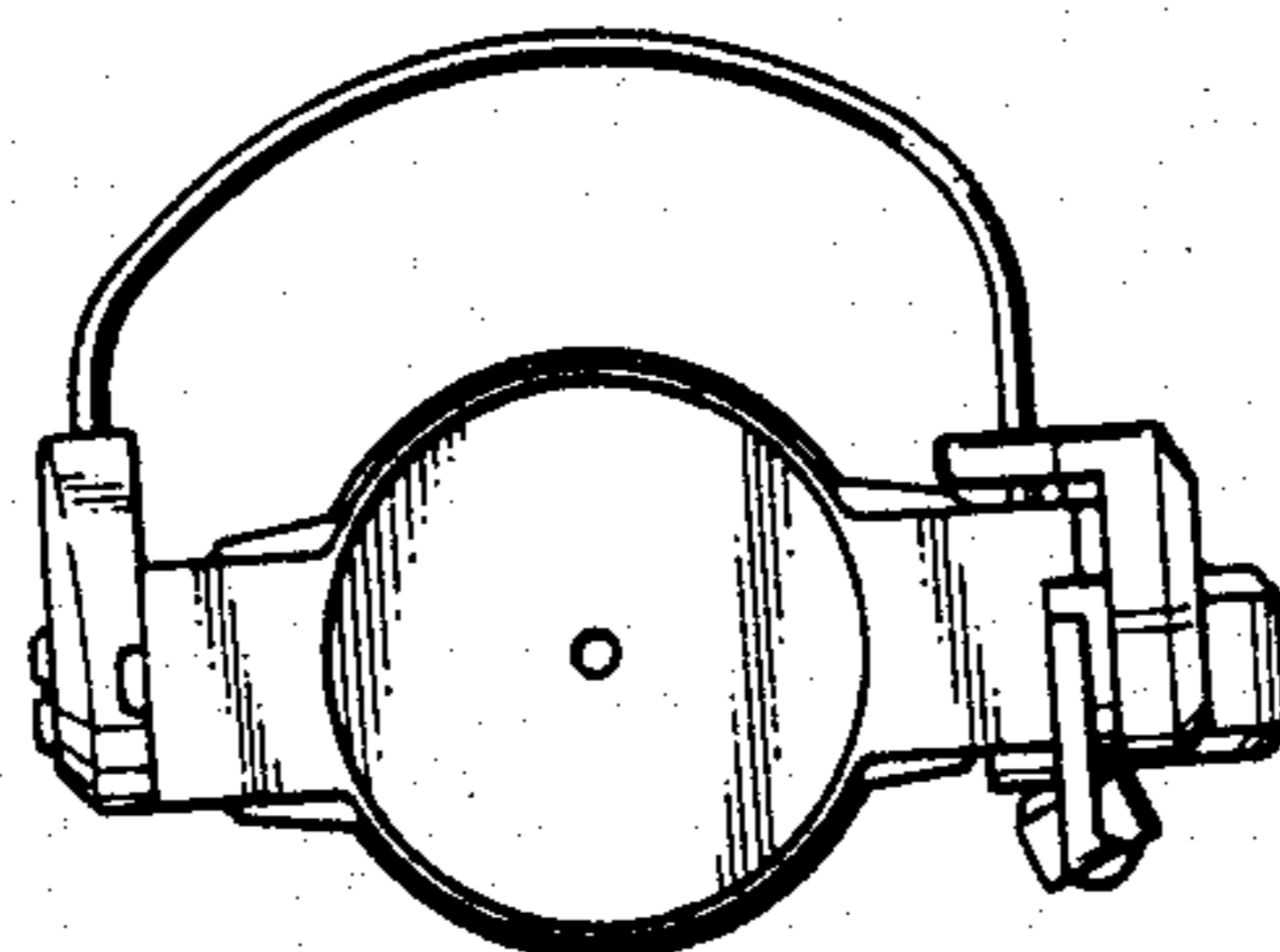
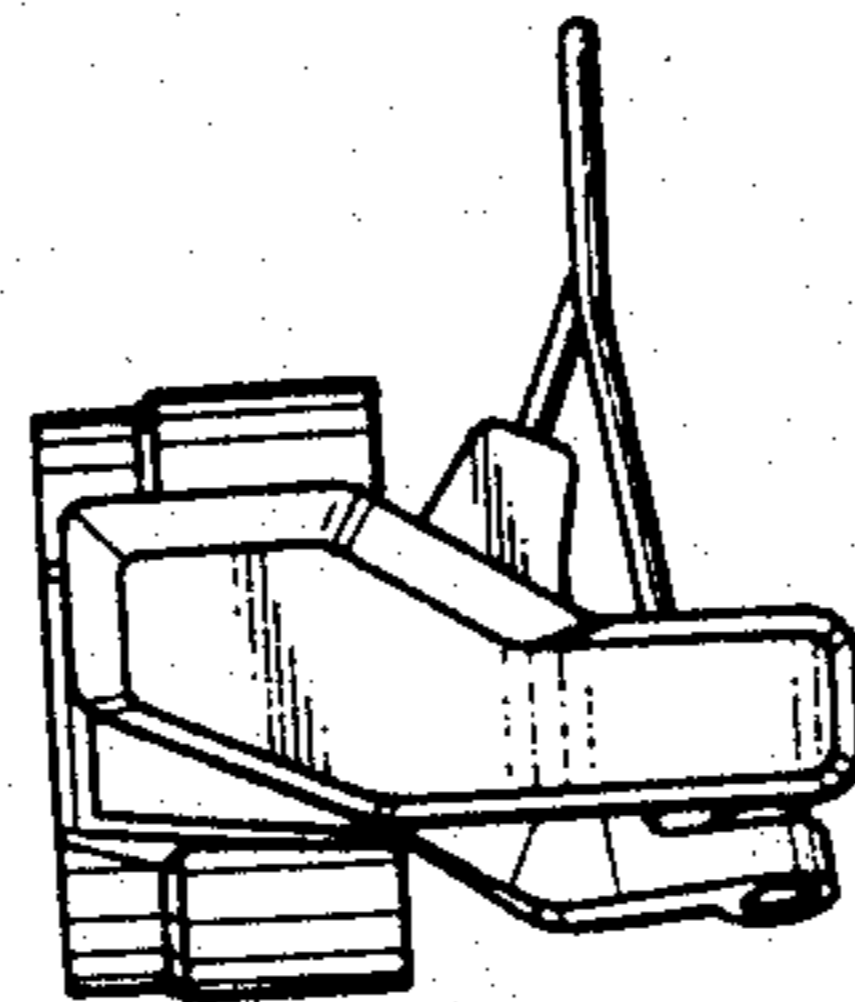


Fig. 1

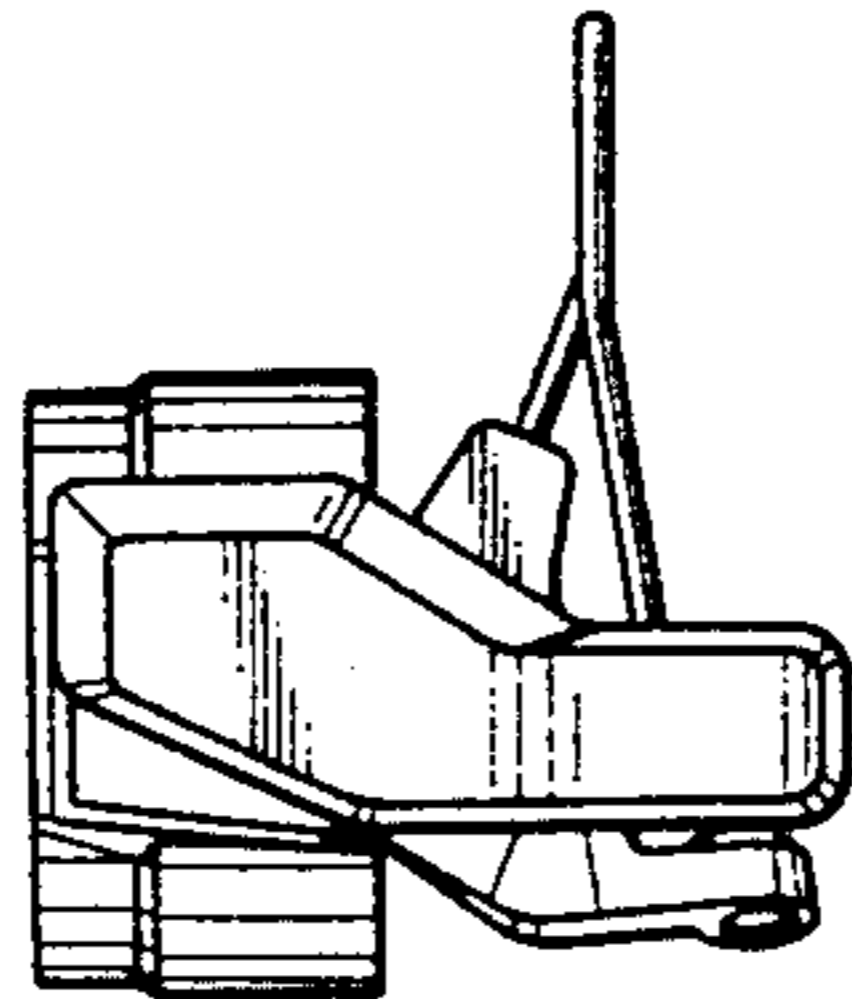


Fig. 2

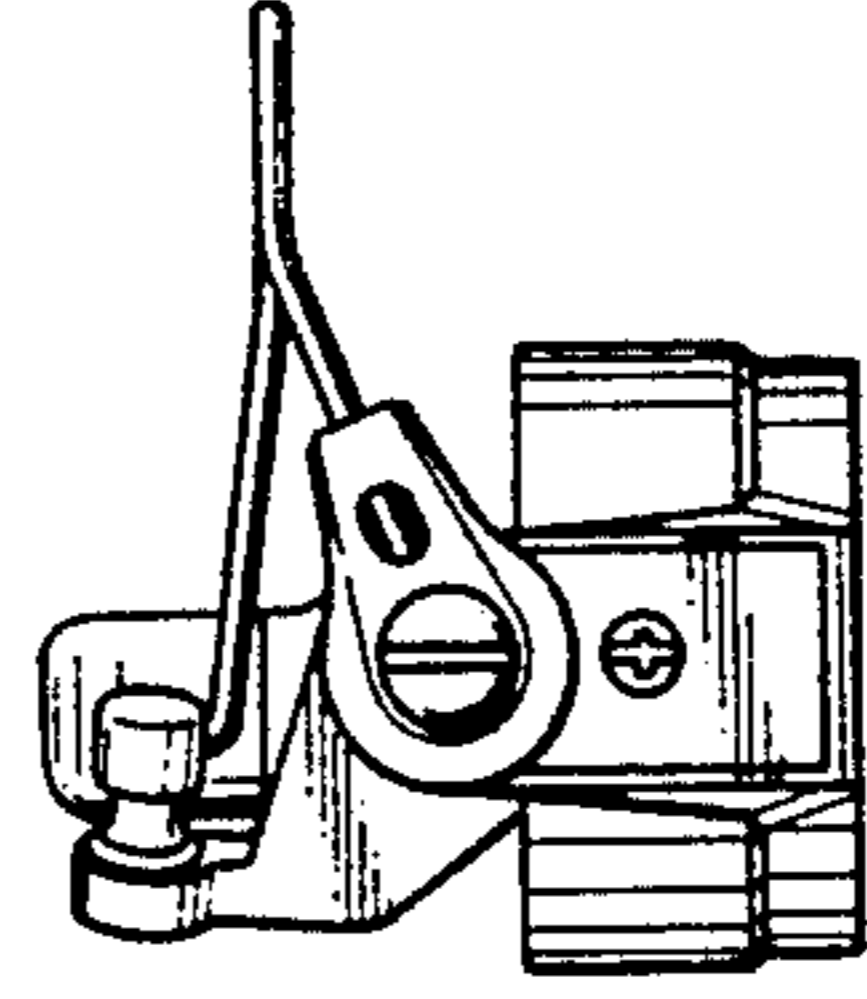


Fig. 3

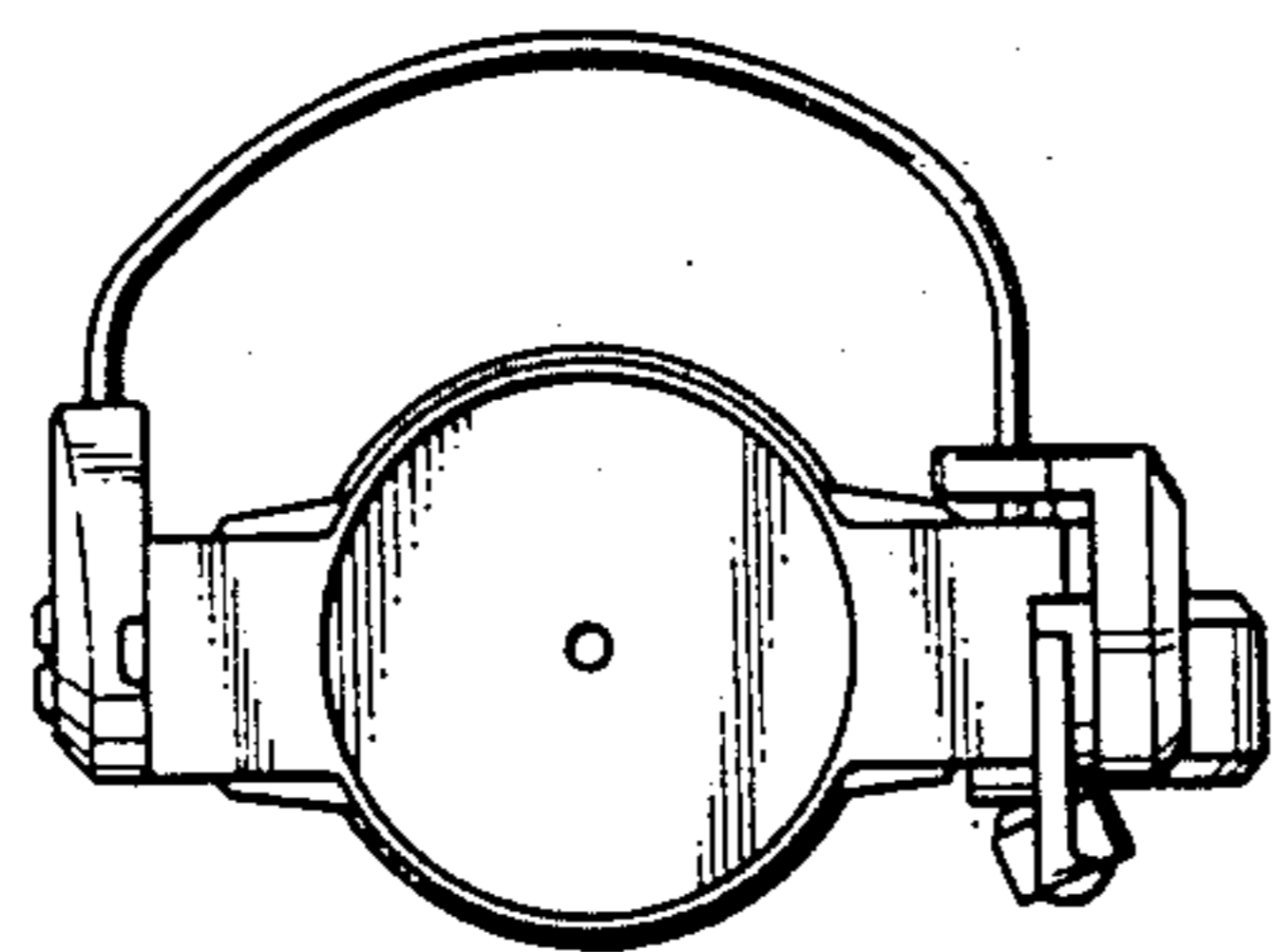


Fig. 4

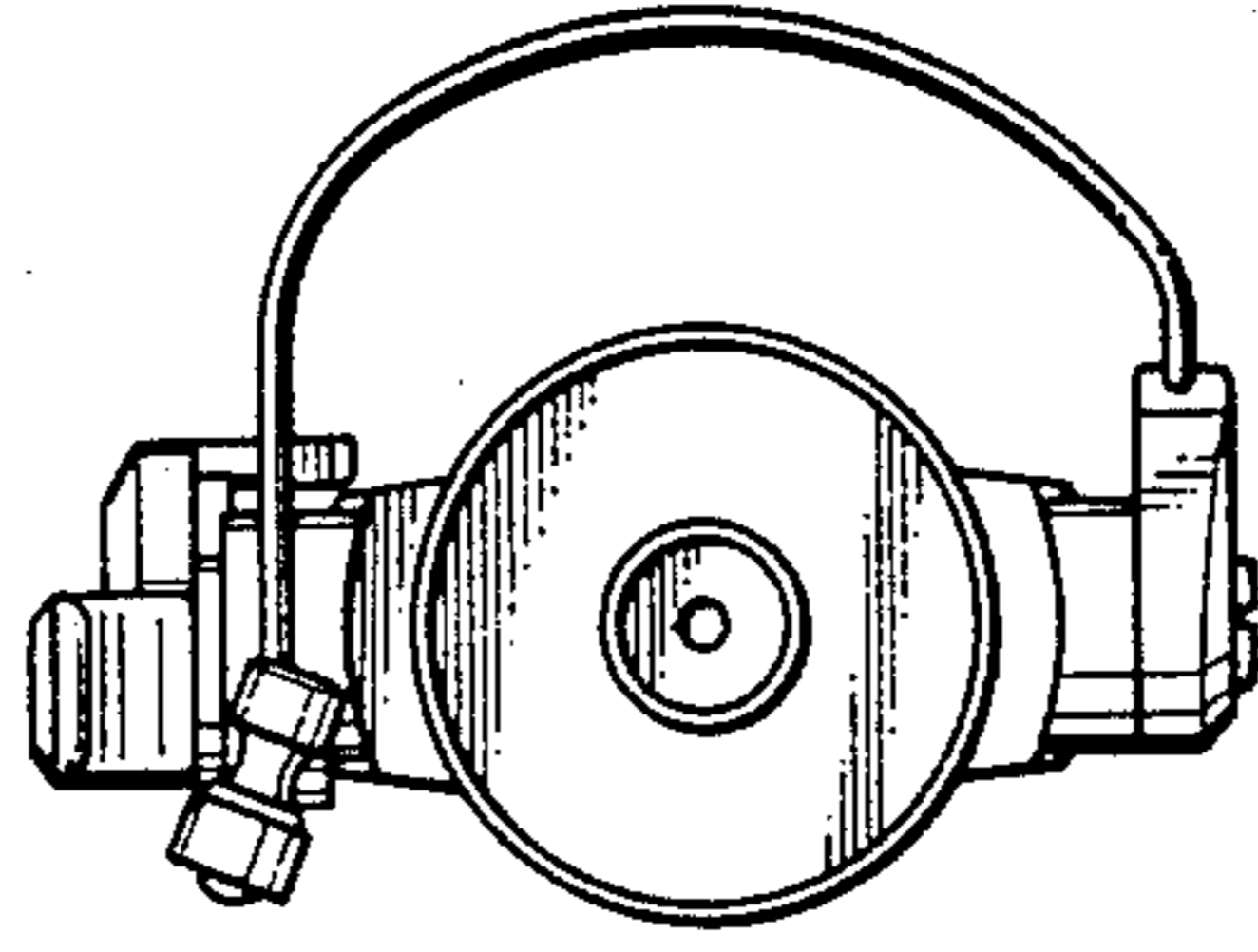


Fig. 5

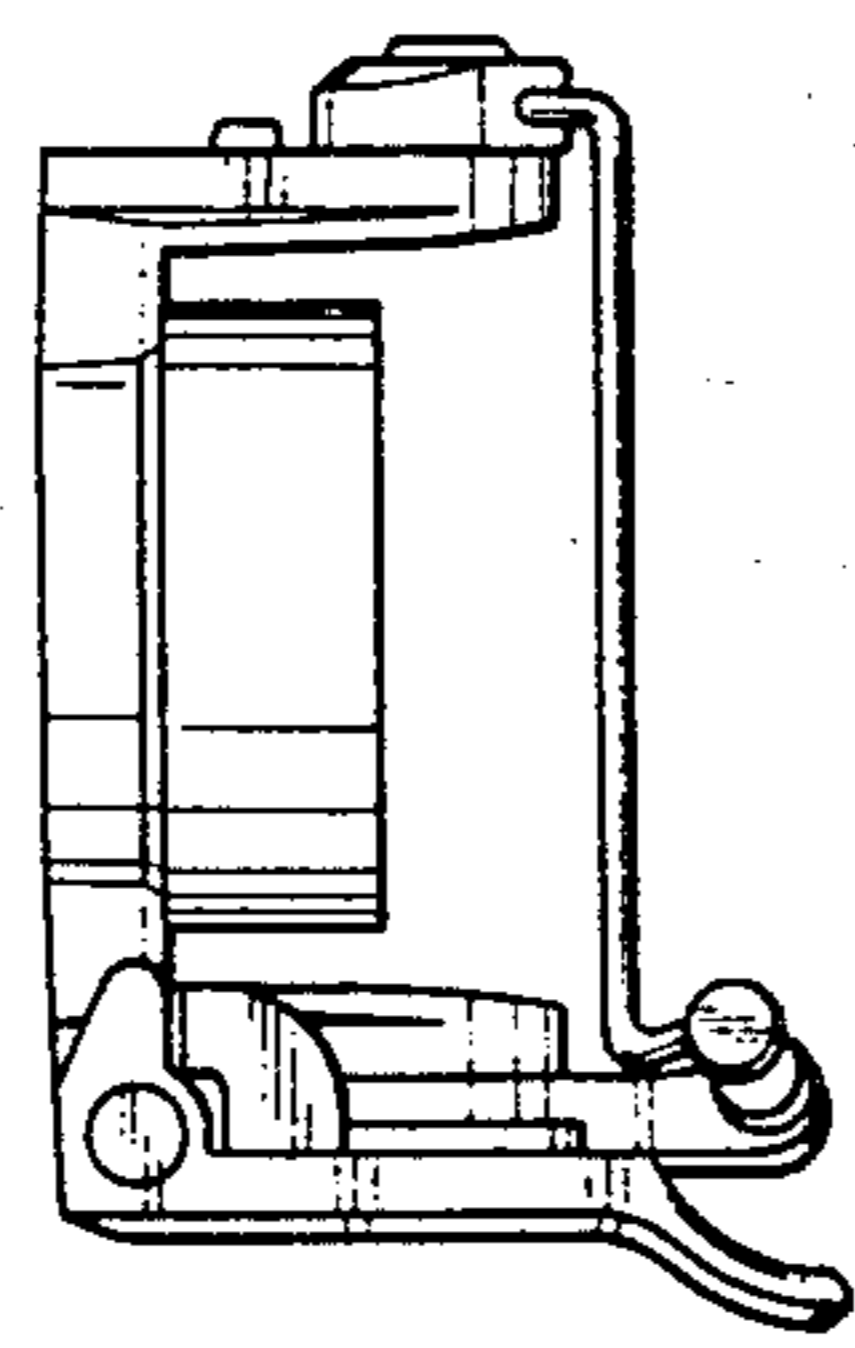


Fig. 6

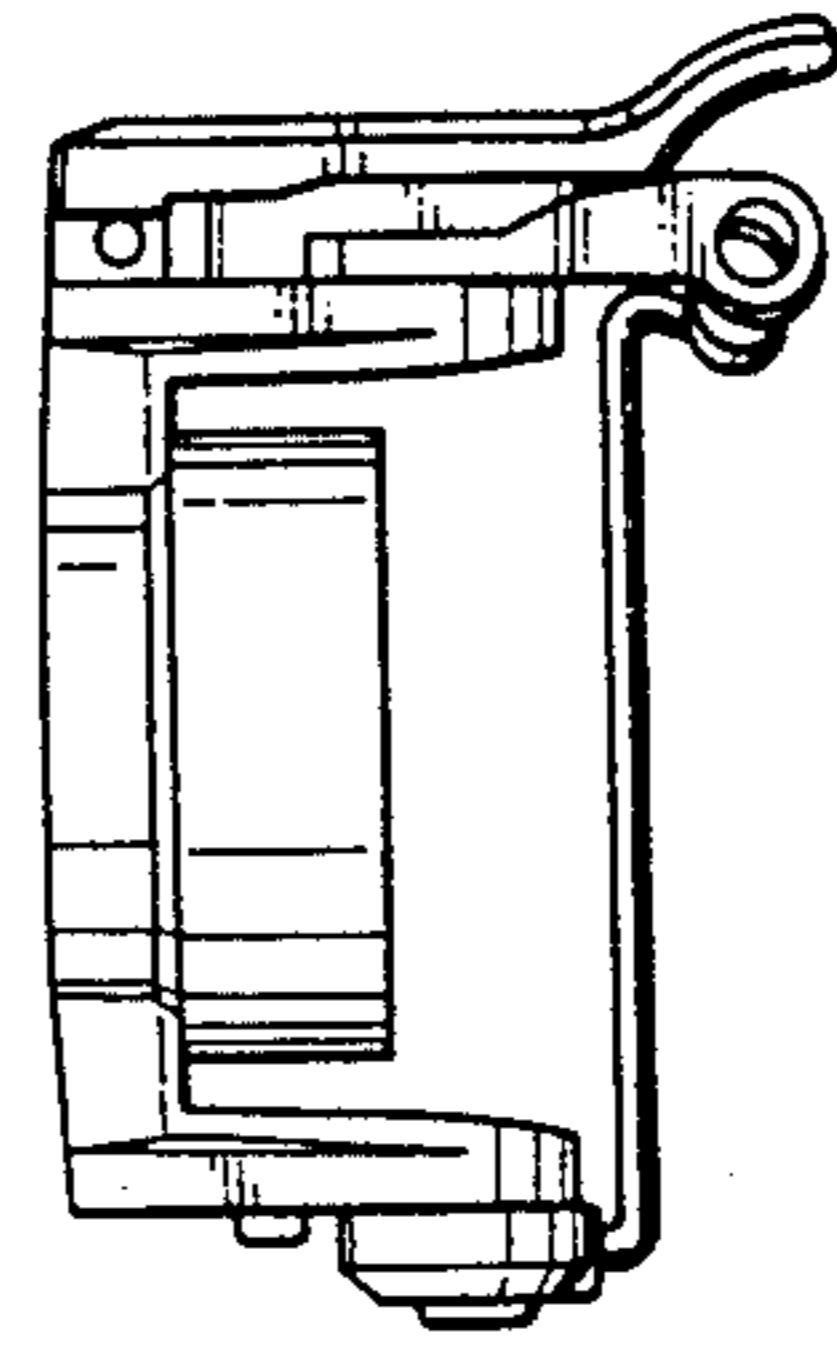


Fig. 7

