

[54] GOLF PUTTER HEAD

[76] Inventor: Lewis B. Moore, P.O. Box 17115,
Fountain Hills, Ariz. 85268

[**] Term: 14 Years

[21] Appl. No.: 609,754

[22] Filed: May 14, 1984

[52] U.S. Cl. D21/219

[58] Field of Search D21/214-220;
273/167-175, 164 R, 163

[56] References Cited

U.S. PATENT DOCUMENTS

- D. 248,050 5/1978 Muehl D21/219
- 3,819,180 6/1974 Murphy 273/167 E
- 4,138,117 2/1979 Dalton 273/167 F

4,530,505 7/1985 Stuff 273/164

FOREIGN PATENT DOCUMENTS

25564 of 1905 United Kingdom 273/164

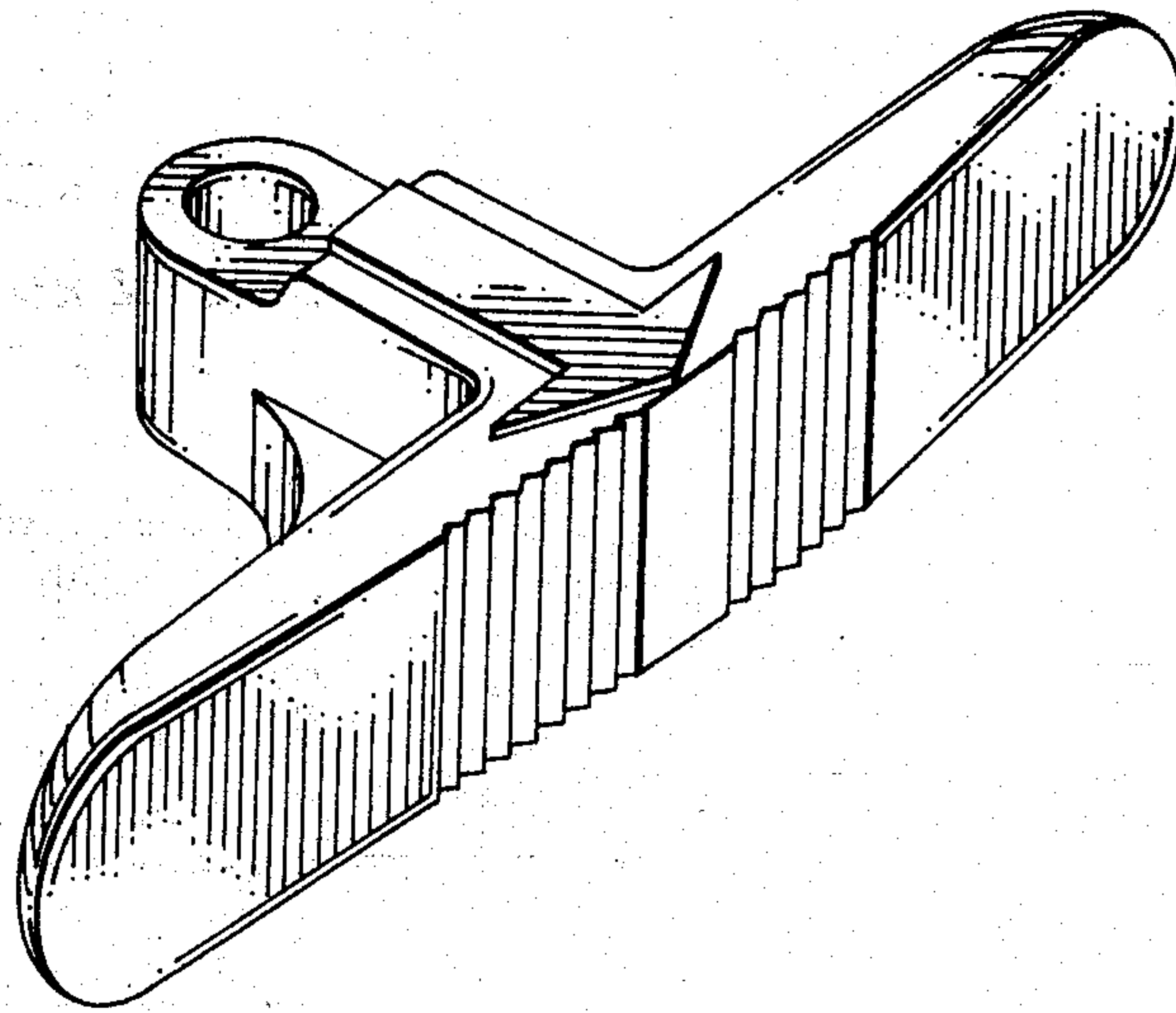
Primary Examiner—Melvin B. Feifer
Attorney, Agent, or Firm—Drummond & Nissle

[57] CLAIM

The ornamental design for a golf putter head, as shown.

DESCRIPTION

FIG. 1 is a perspective view of a golf putter head showing my new design;
 FIG. 2 is a top view of the putter head of FIG. 1;
 FIG. 3 is a bottom view thereof;
 FIG. 4 is a front view thereof;
 FIG. 5 is a rear view thereof; and,
 FIG. 6 is a side view of the putter head of FIG. 1.



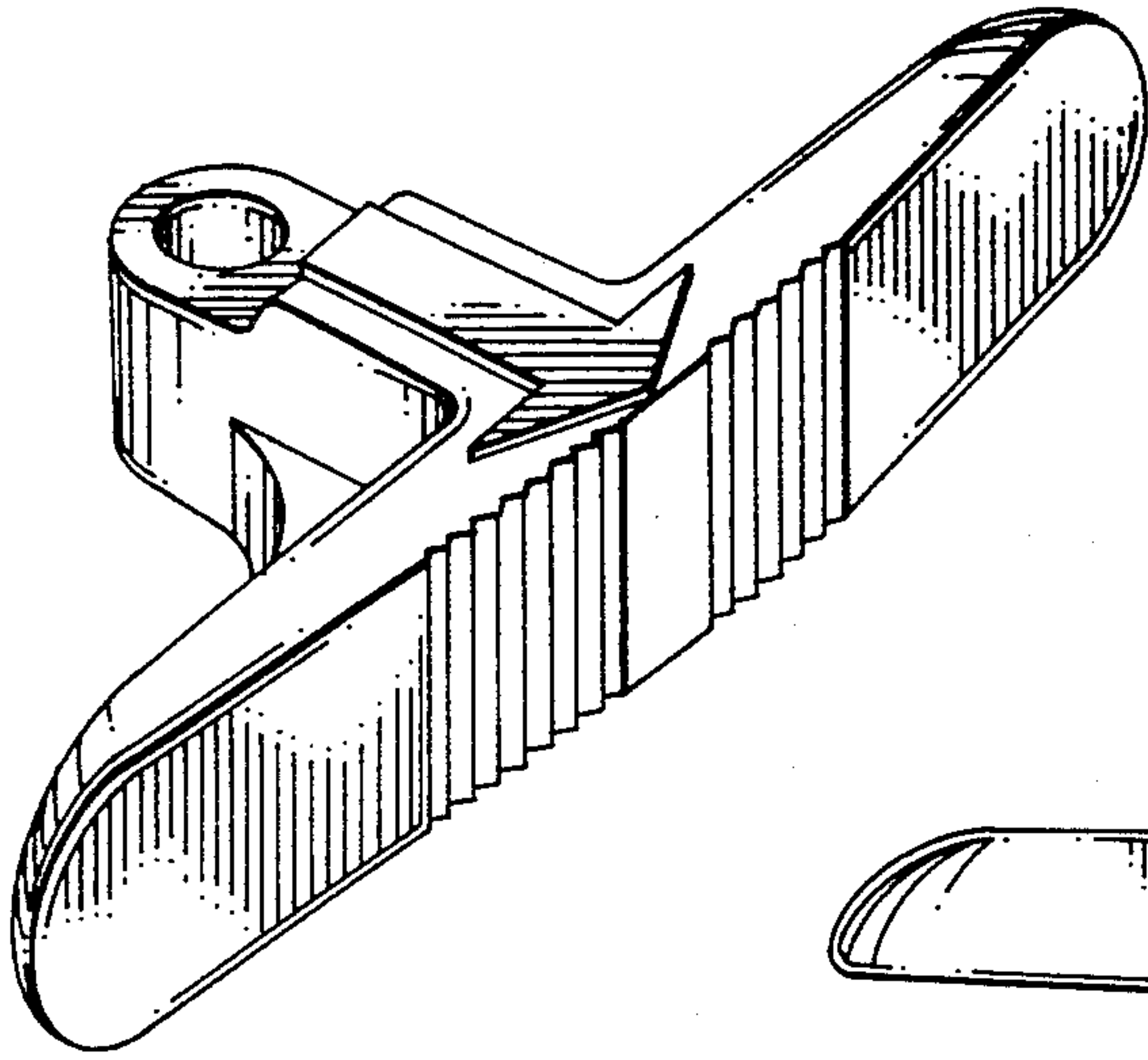


FIG. 1

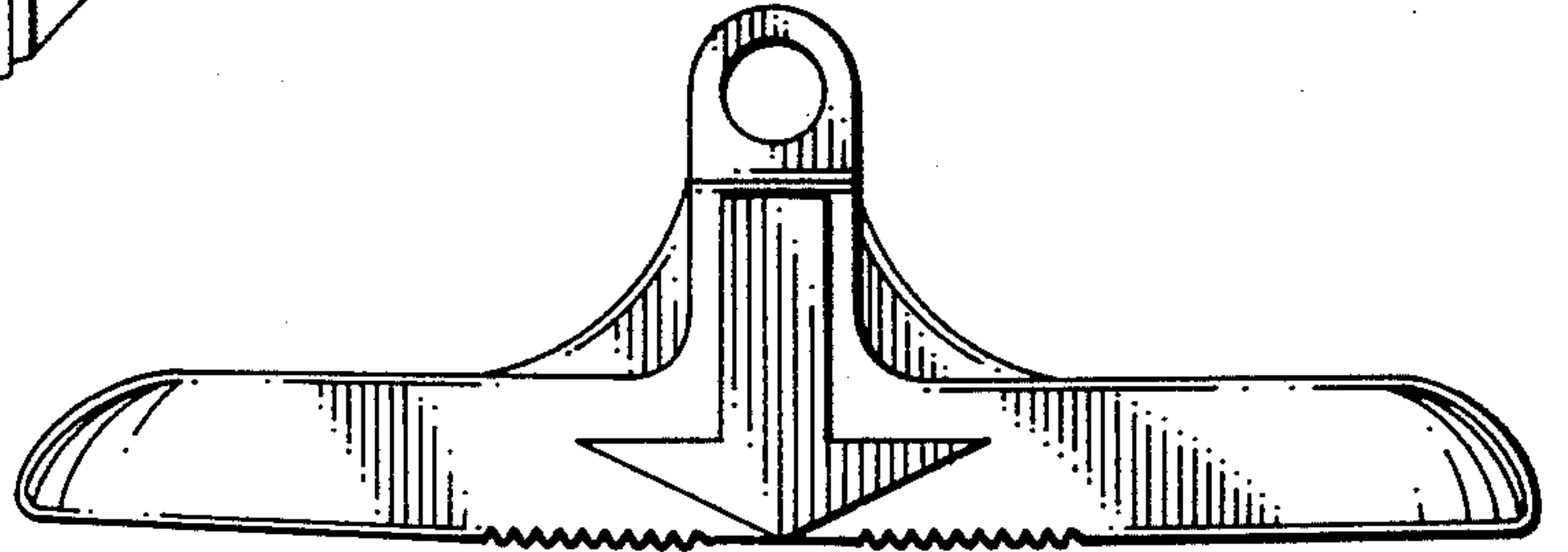


FIG. 2

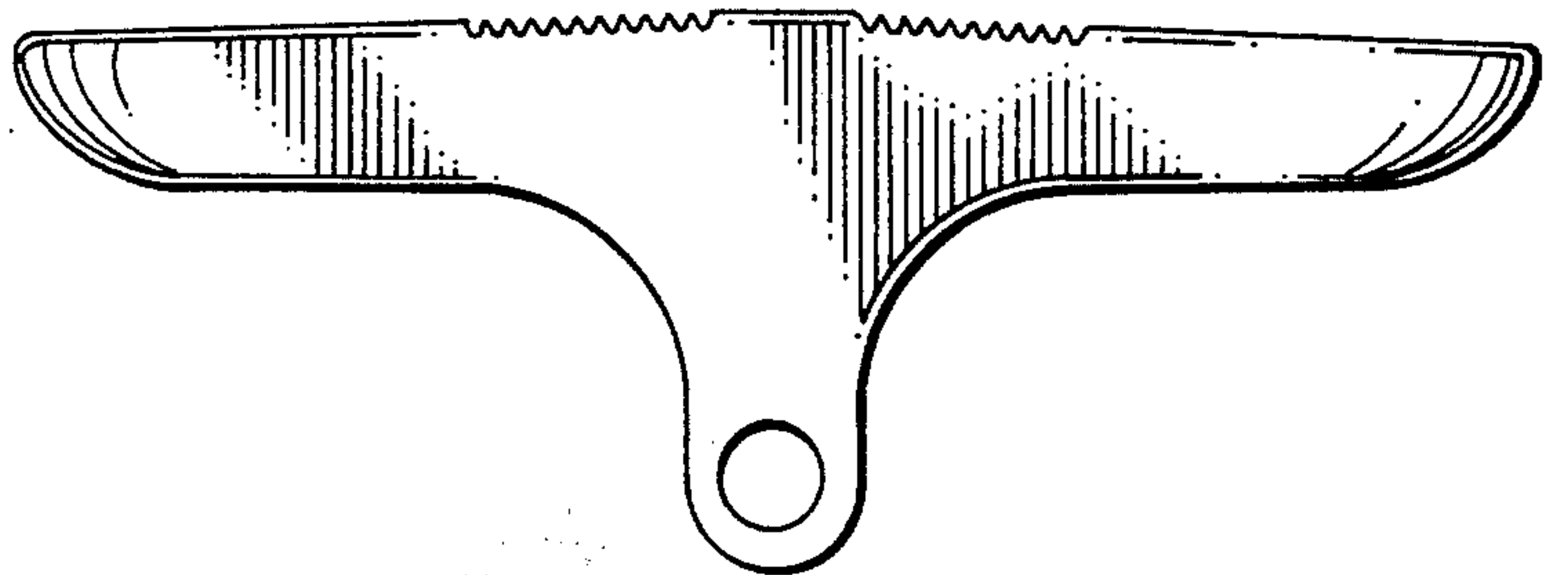


FIG. 3

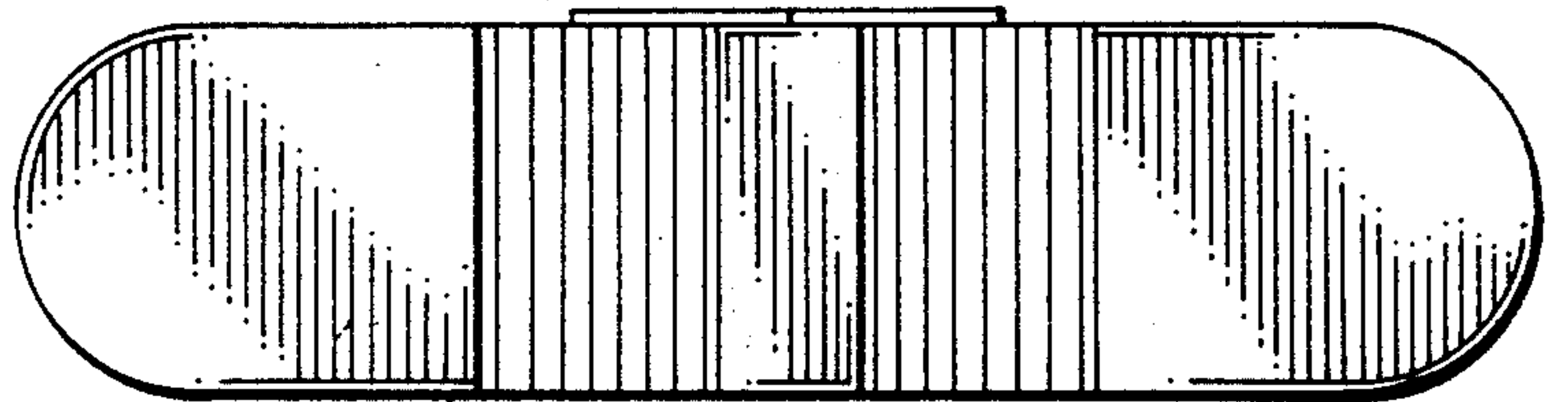


FIG. 4

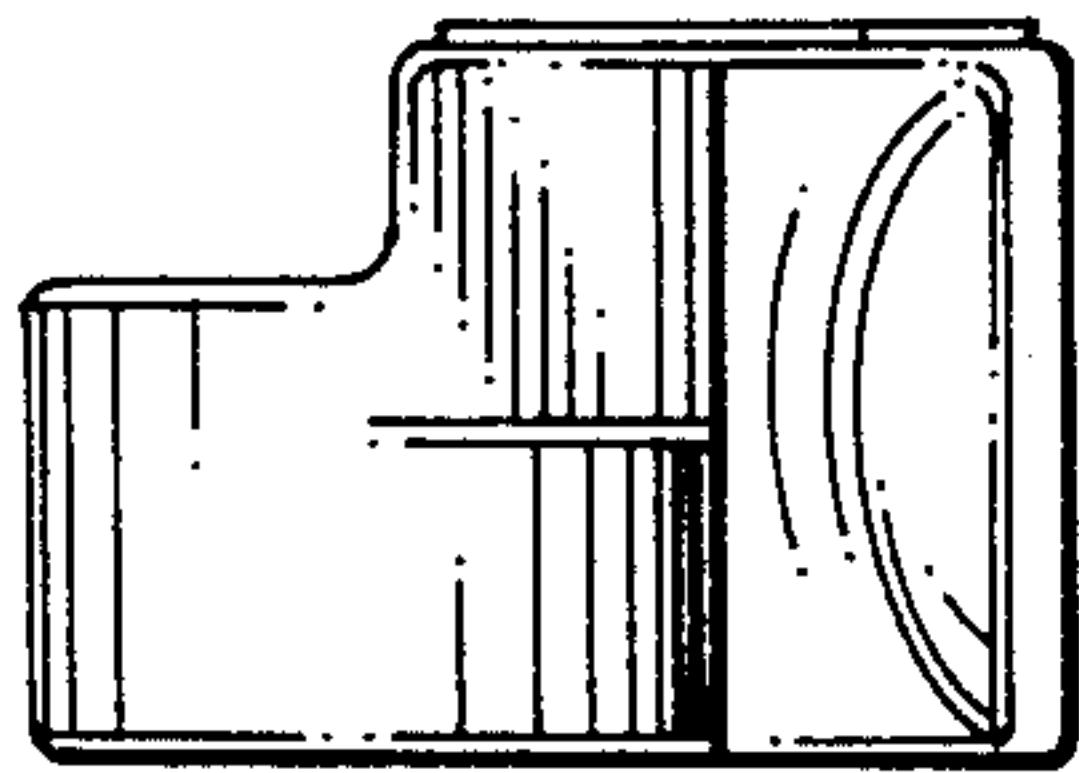


FIG. 6

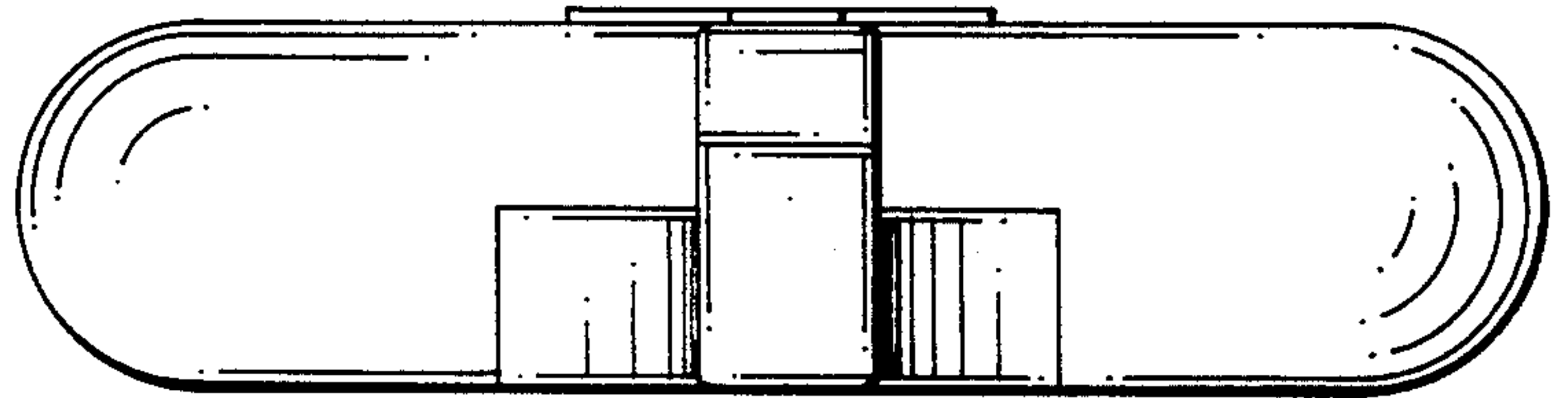


FIG. 5