

[54] **TOY INTERCONNECTING ADAPTOR  
BLOCK OR THE LIKE**

3,862,512 1/1975 Yogel ..... 446/128  
4,547,160 10/1985 Labelle ..... 446/103

[75] **Inventor: Tokuo Takahashi, Tokyo, Japan**

[73] **Assignee: Kawada Co. Ltd., Tokyo, Japan**

[\*\*] **Term: 14 Years**

[21] **Appl. No.: 648,528**

[22] **Filed: Sep. 10, 1984**

[30] **Foreign Application Priority Data**

May 30, 1984 [JP] Japan ..... 59-21775

[52] **U.S. Cl. .... D21/108**

[58] **Field of Search ..... D21/108; 446/85, 93,  
446/94, 111, 113, 118, 120, 121, 125, 103, 122,  
124**

[56] **References Cited**

**U.S. PATENT DOCUMENTS**

D. 279,915 7/1985 Arnau-Pibet ..... D21/108  
3,162,973 12/1964 Christiansen ..... D21/108

**OTHER PUBLICATIONS**

Danish Registreringstioning För Mönster, 8-11-1972,  
Item #11.

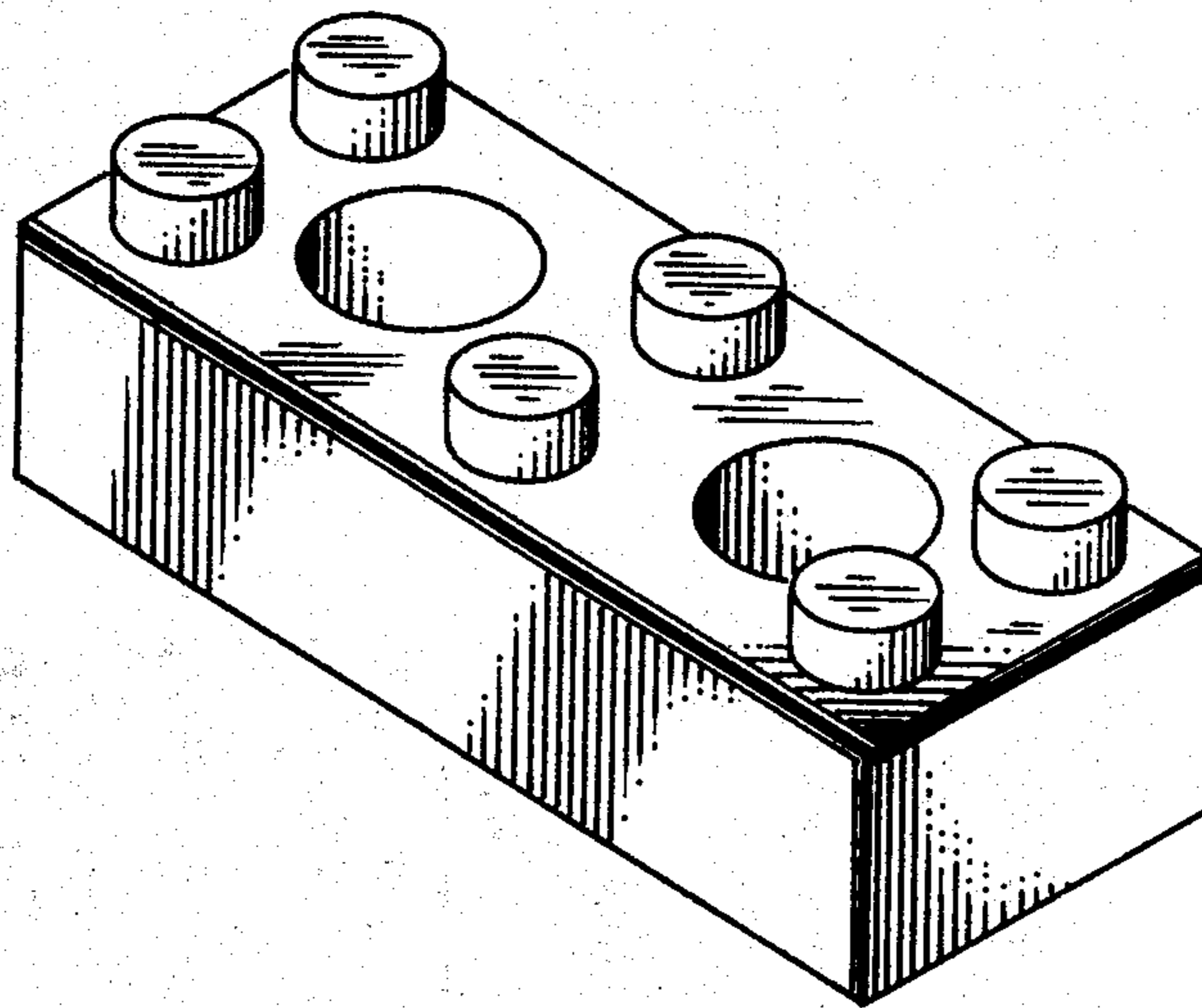
*Primary Examiner*—Charles A. Rademaker  
*Attorney, Agent, or Firm*—Don B. Finkelstein

[57] **CLAIM**

The ornamental design for an toy interconnecting adap-  
tor block or the like, substantially as shown and de-  
scribed.

**DESCRIPTION**

FIG. 1 is a perspective view of a toy interconnecting  
adaptor block or the like showing my new design;  
FIG. 2 is a top plan view thereof;  
FIG. 3 is a front elevational view thereof;  
FIG. 4 is a rear elevational view thereof;  
FIG. 5 is a left side elevational view thereof;  
FIG. 6 is a right side elevational view thereof;  
FIG. 7 is a bottom plan view thereof.



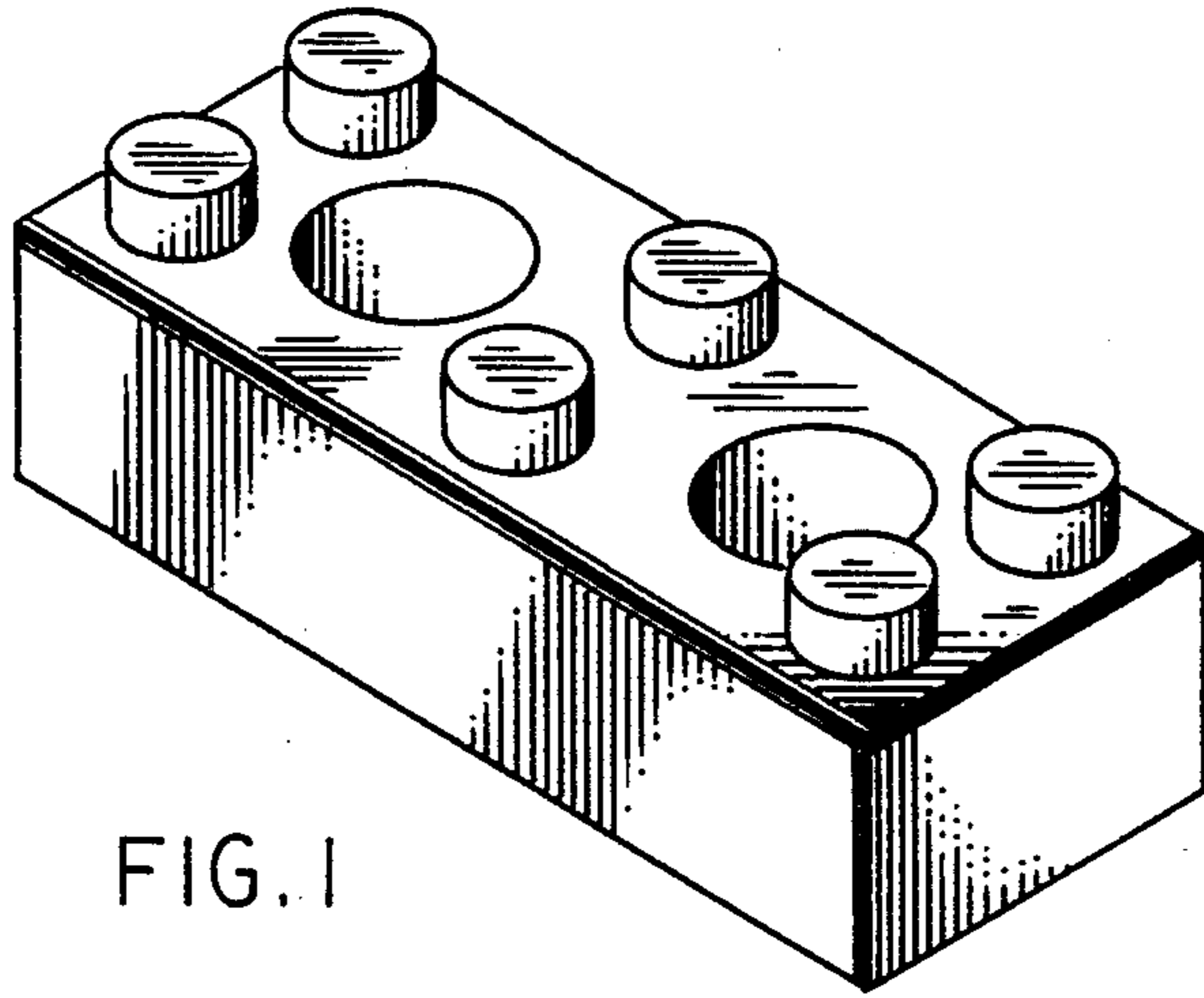


FIG. 1

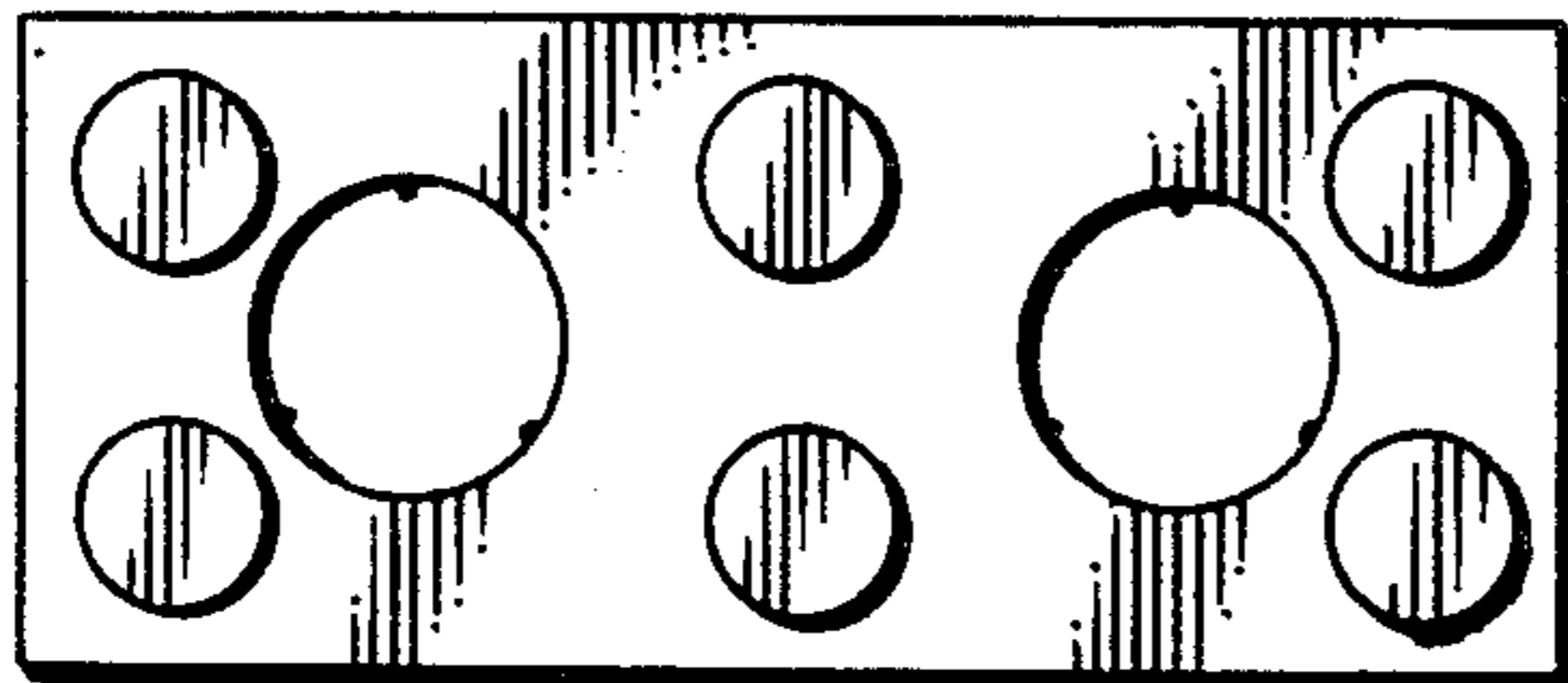


FIG. 2

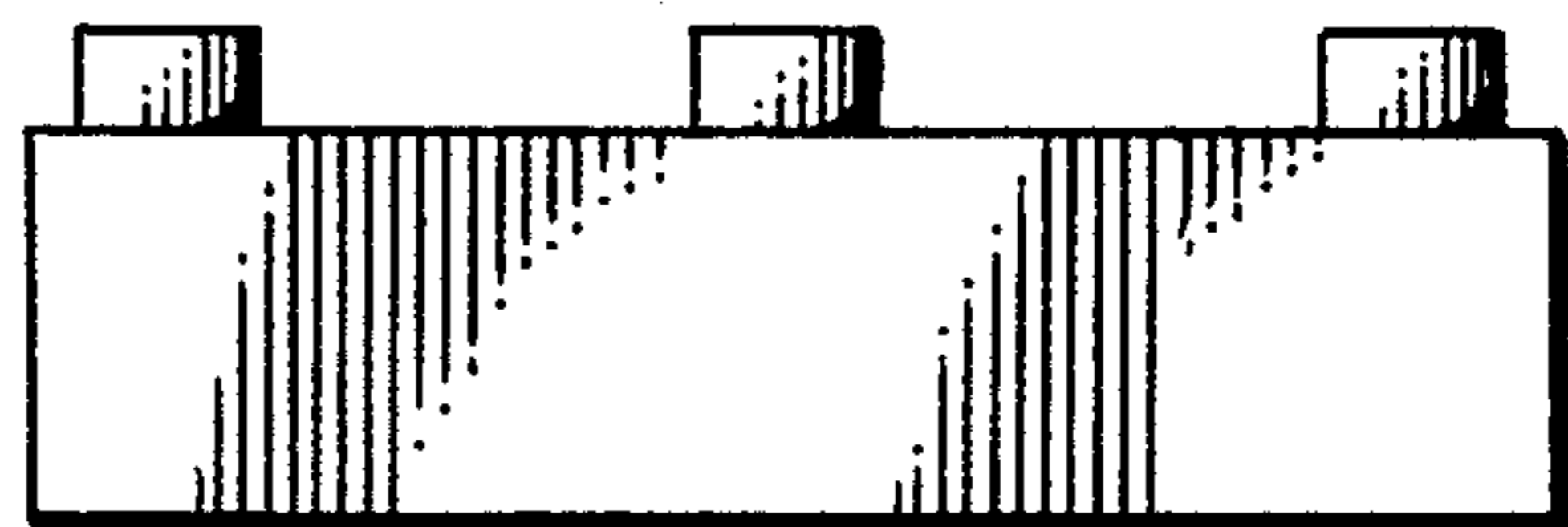


FIG. 3



FIG. 4

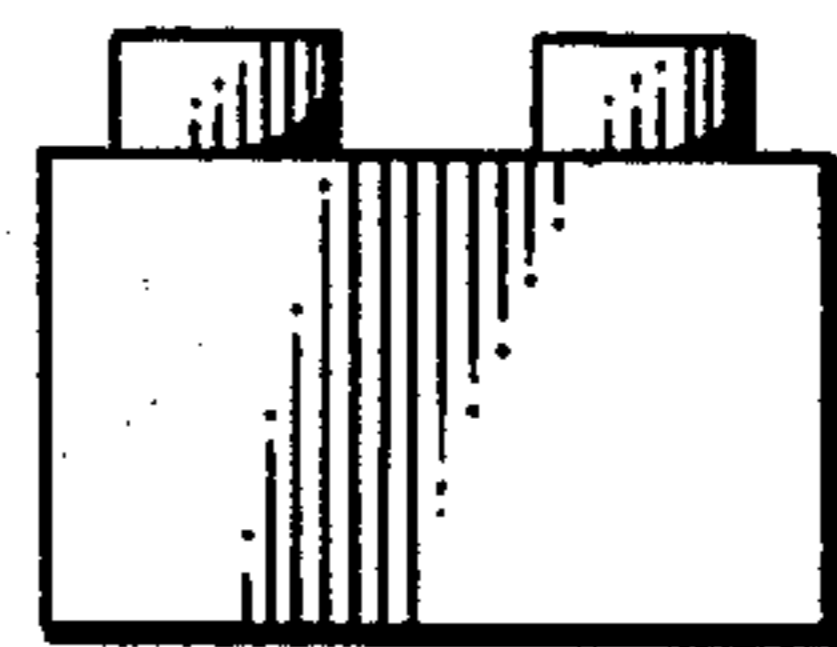


FIG. 5

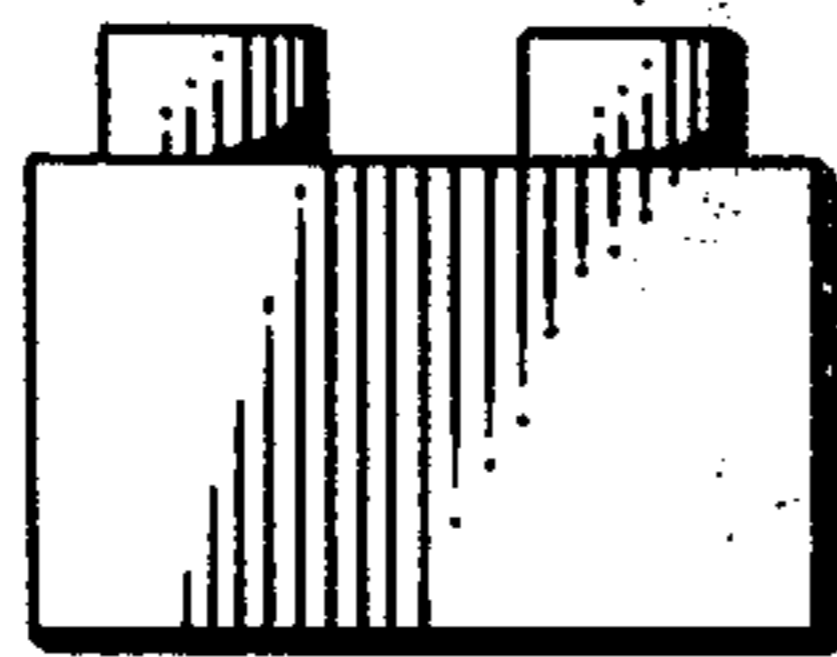


FIG. 6

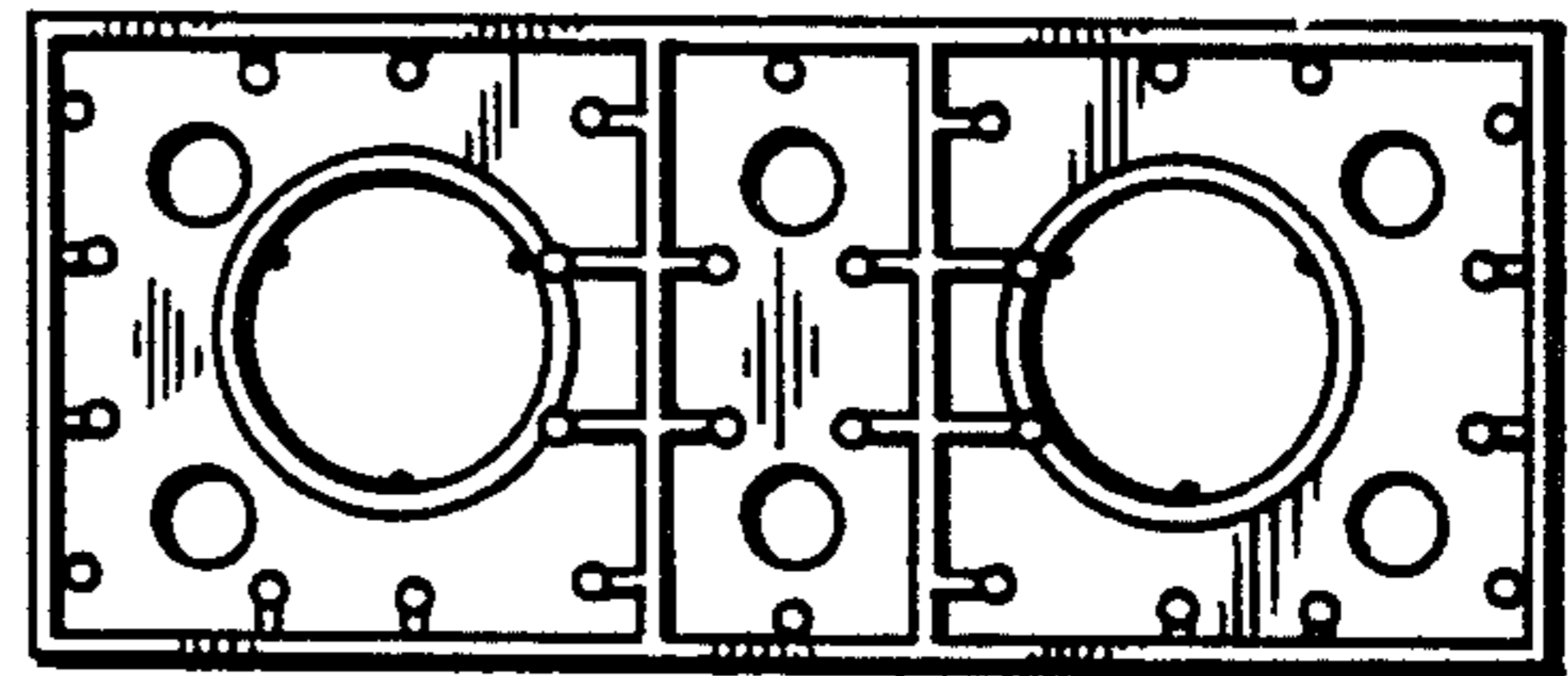


FIG. 7