

[54] CARTRIDGE FOR INK RIBBON

[75] Inventors: Seiro Fuziwara, Shizuoka; Masao Kobori; Norio Takida, both of Mishima, all of Japan

[73] Assignee: Tokyo Electric O., Ltd., Tokyo, Japan

[**] Term: 14 Years

[21] Appl. No.: 637,475

[22] Filed: Aug. 3, 1984

[30] Foreign Application Priority Data

Feb. 14, 1984 [JP] Japan 59-4789

[52] U.S. Cl. D18/22; D18/12

[58] Field of Search D18/1, 2, 11, 12, 22; D14/11, 109, 114; 400/175, 196, 196.1, 207, 208, 208.1; 242/55.19 A, 197-200

[56] References Cited

U.S. PATENT DOCUMENTS

D. 245,726	9/1977	Sottsass	D18/12
D. 281,333	11/1985	Nibley et al.	D18/22
3,306,510	2/1967	Brumbaugh	400/196.1 X
3,831,731	8/1974	Mack et al.	400/196

Primary Examiner—Louis S. Zarfaz
Attorney, Agent, or Firm—Bacon & Thomas

[57] CLAIM

The ornamental design for a cartridge for ink ribbon, substantially as shown.

DESCRIPTION

FIG. 1 is a front perspective view of a cartridge for ink ribbon showing our new design; FIG. 2 is a rear perspective view thereof; FIG. 3 is a top plan view thereof; FIG. 4 is a left side elevational view thereof; FIG. 5 is a front elevational view thereof; FIG. 6 is a right side elevational view thereof; FIG. 7 is a bottom plan view thereof; and FIG. 8 is a rear elevational view thereof.

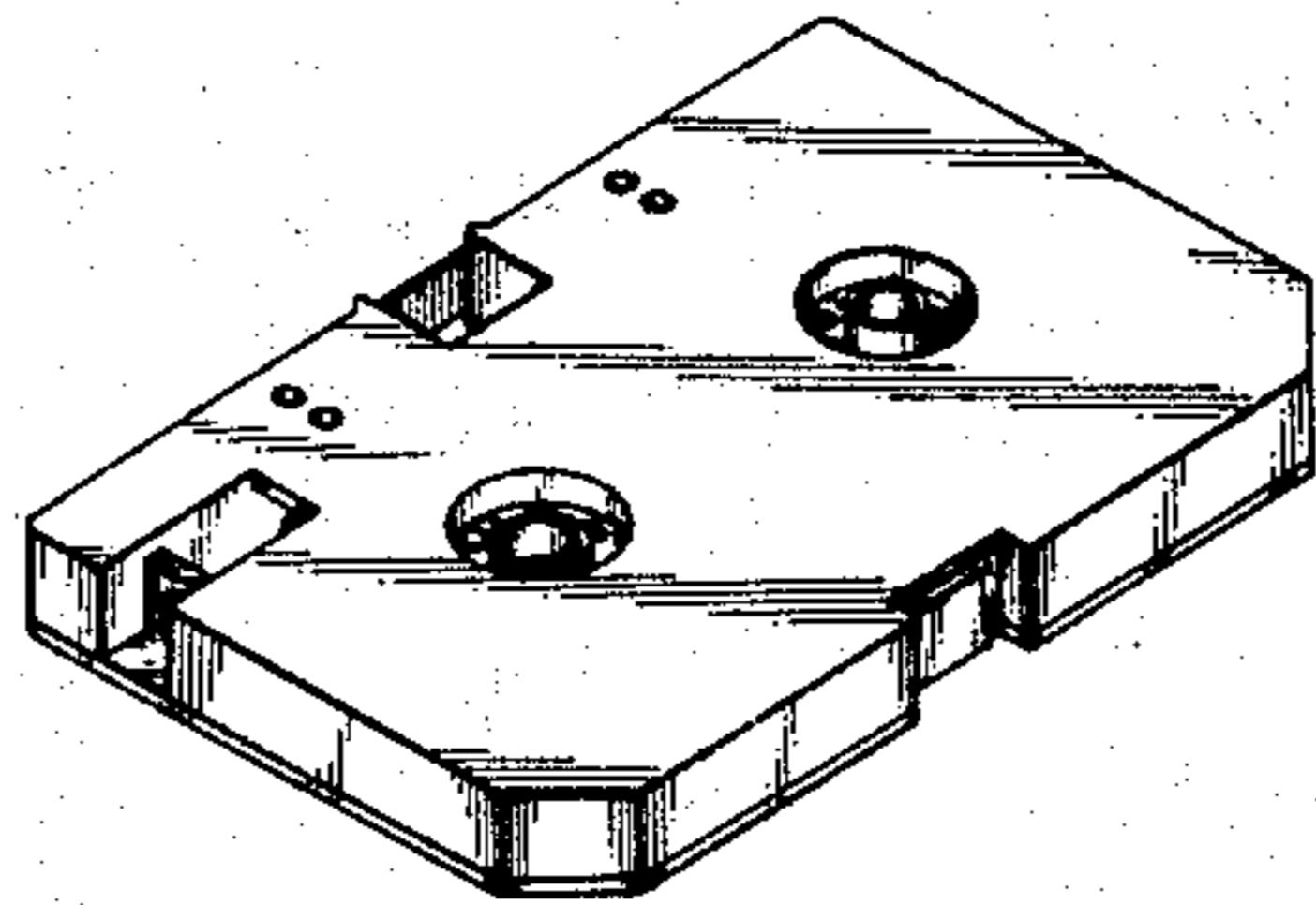
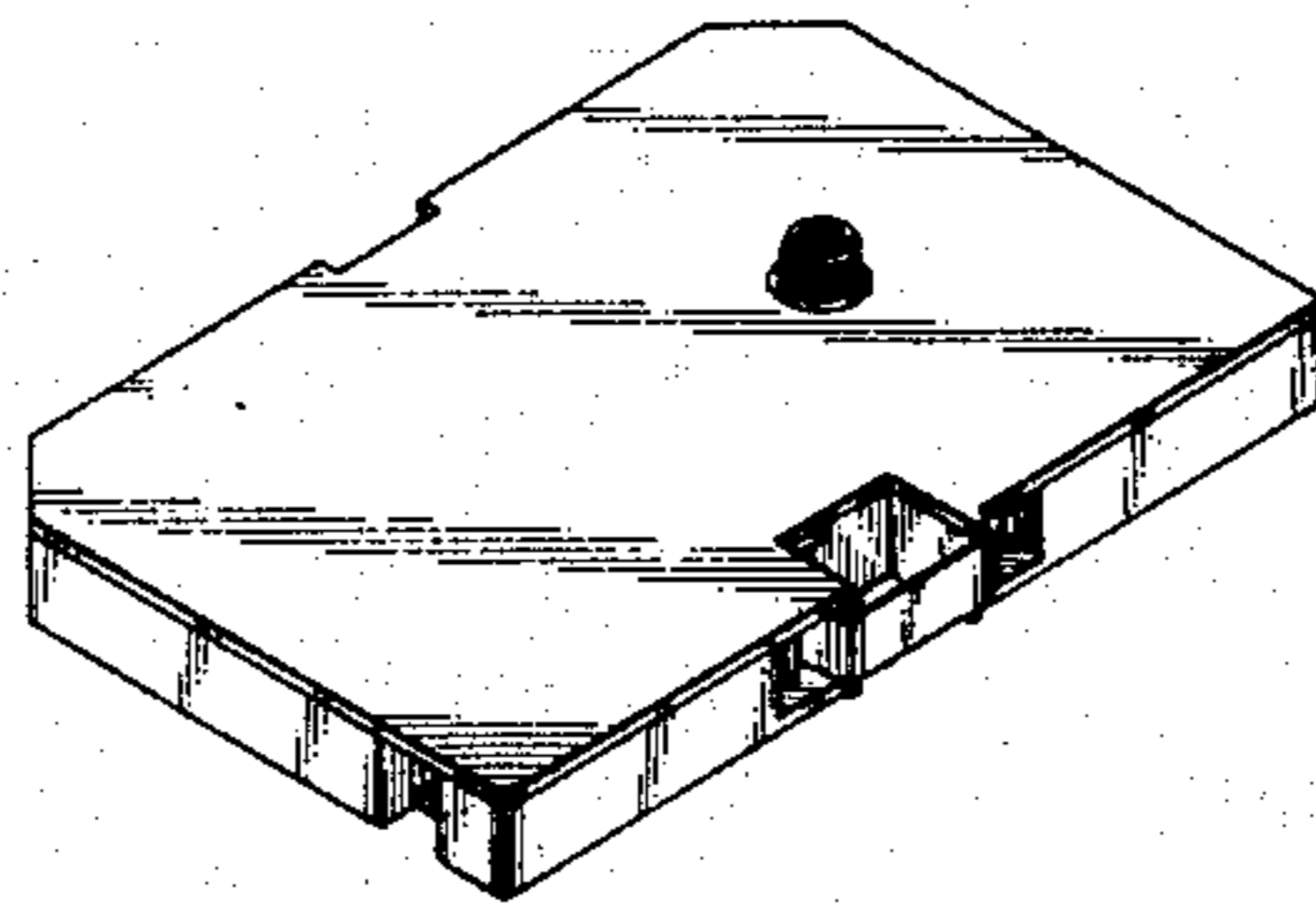


FIG. 1

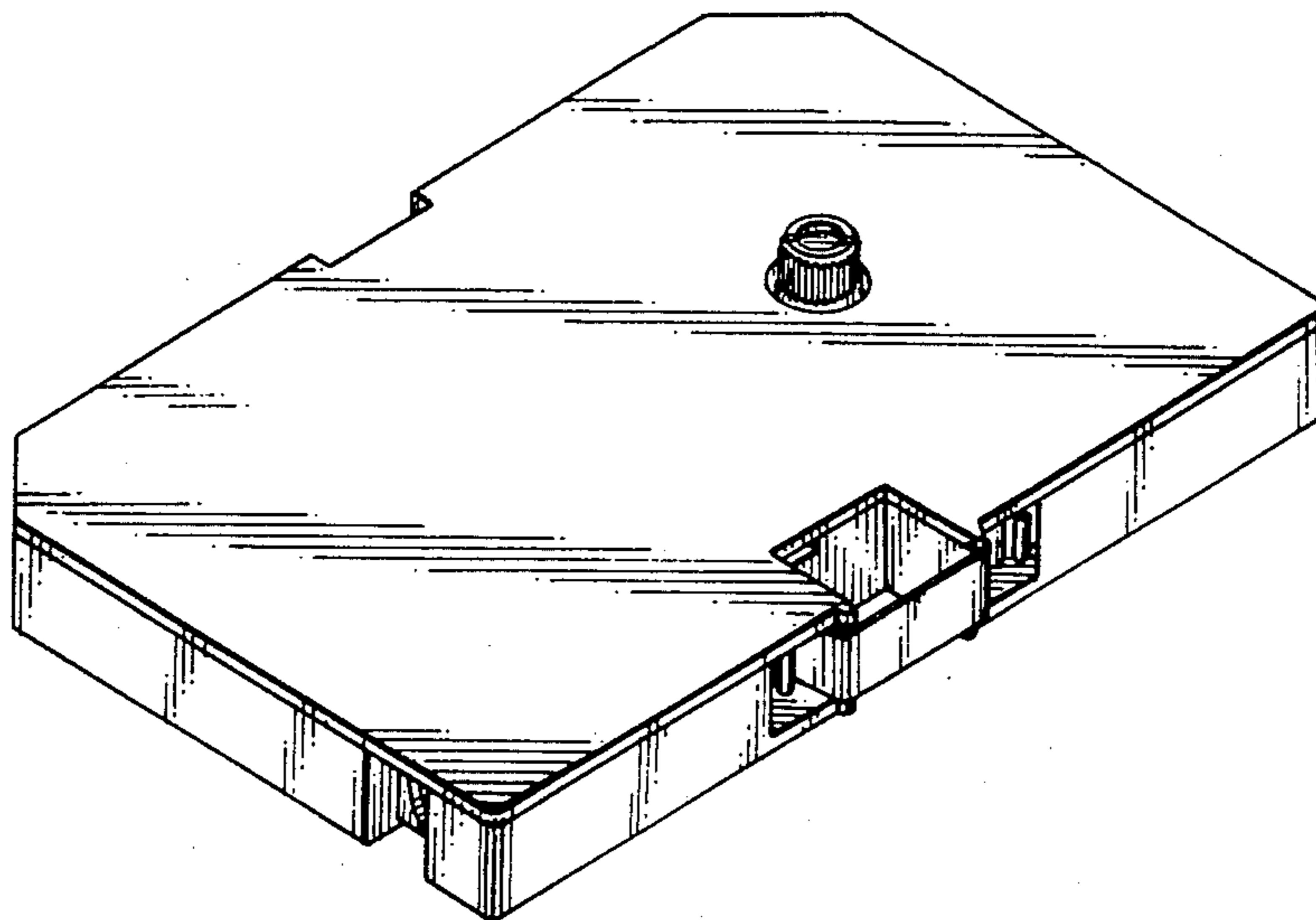


FIG. 2

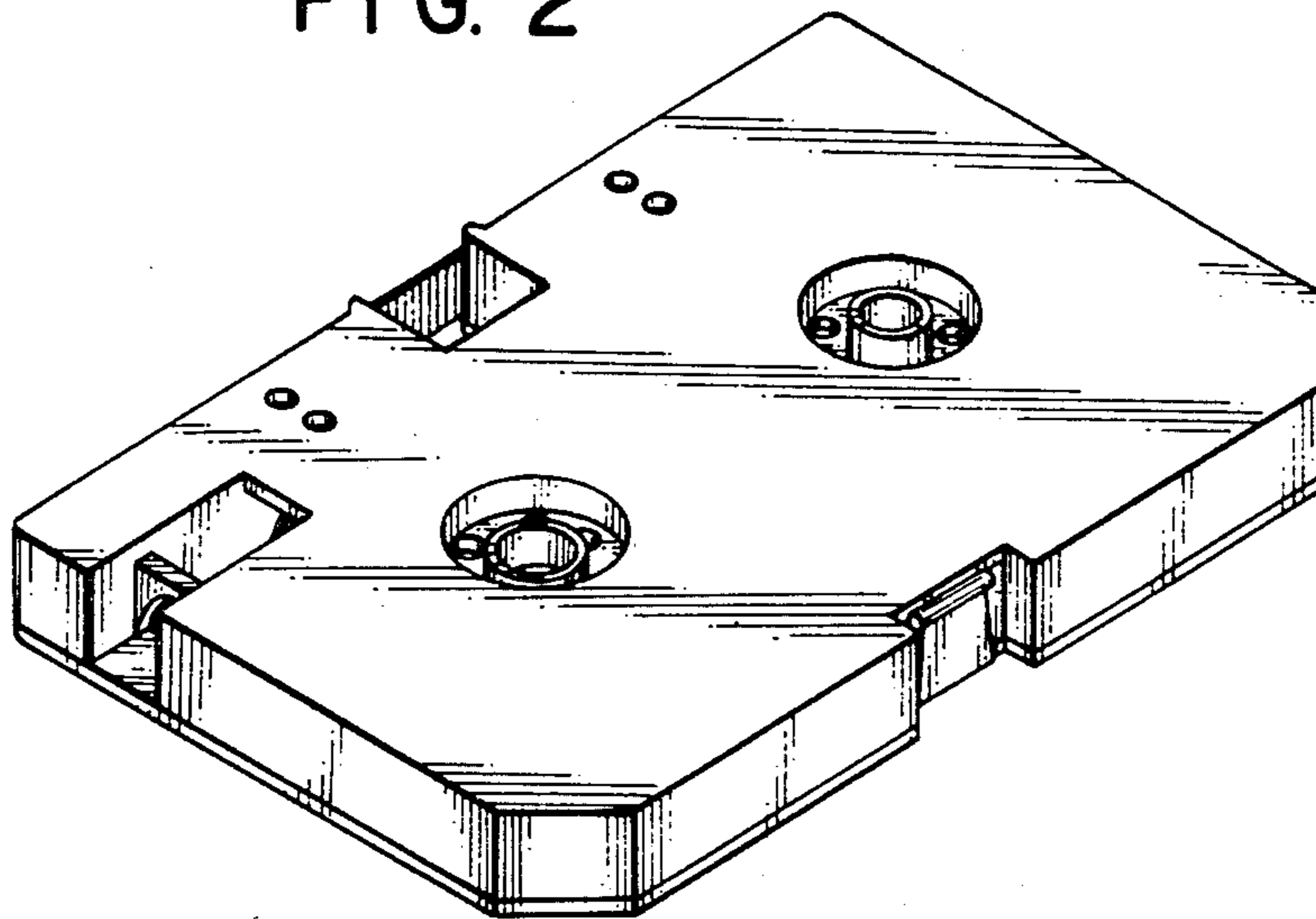


FIG. 3



FIG. 4



FIG. 5

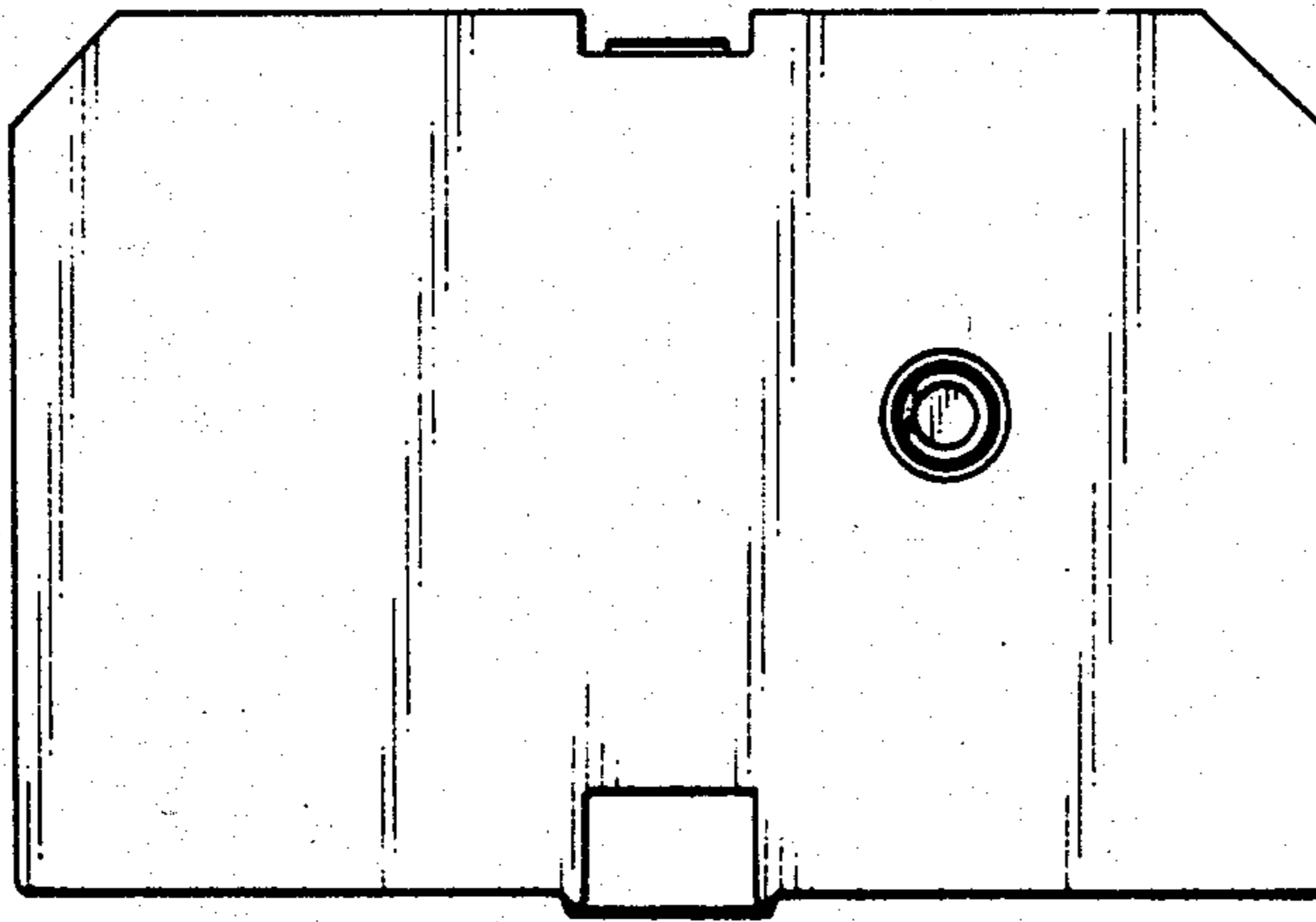


FIG. 6



FIG. 7

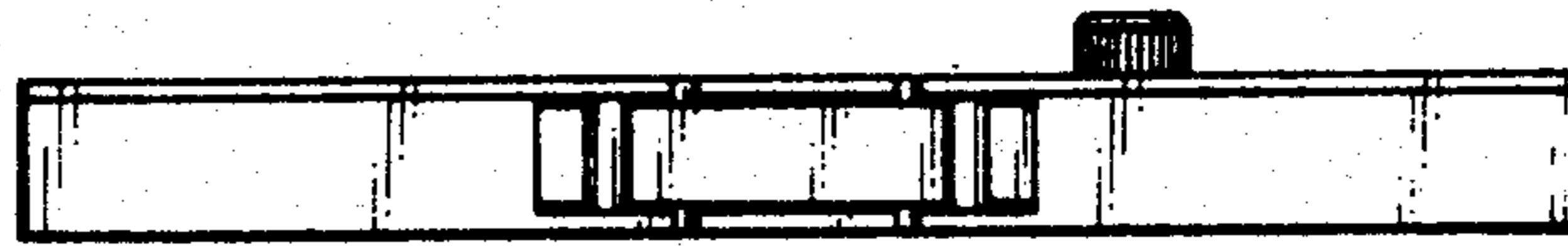
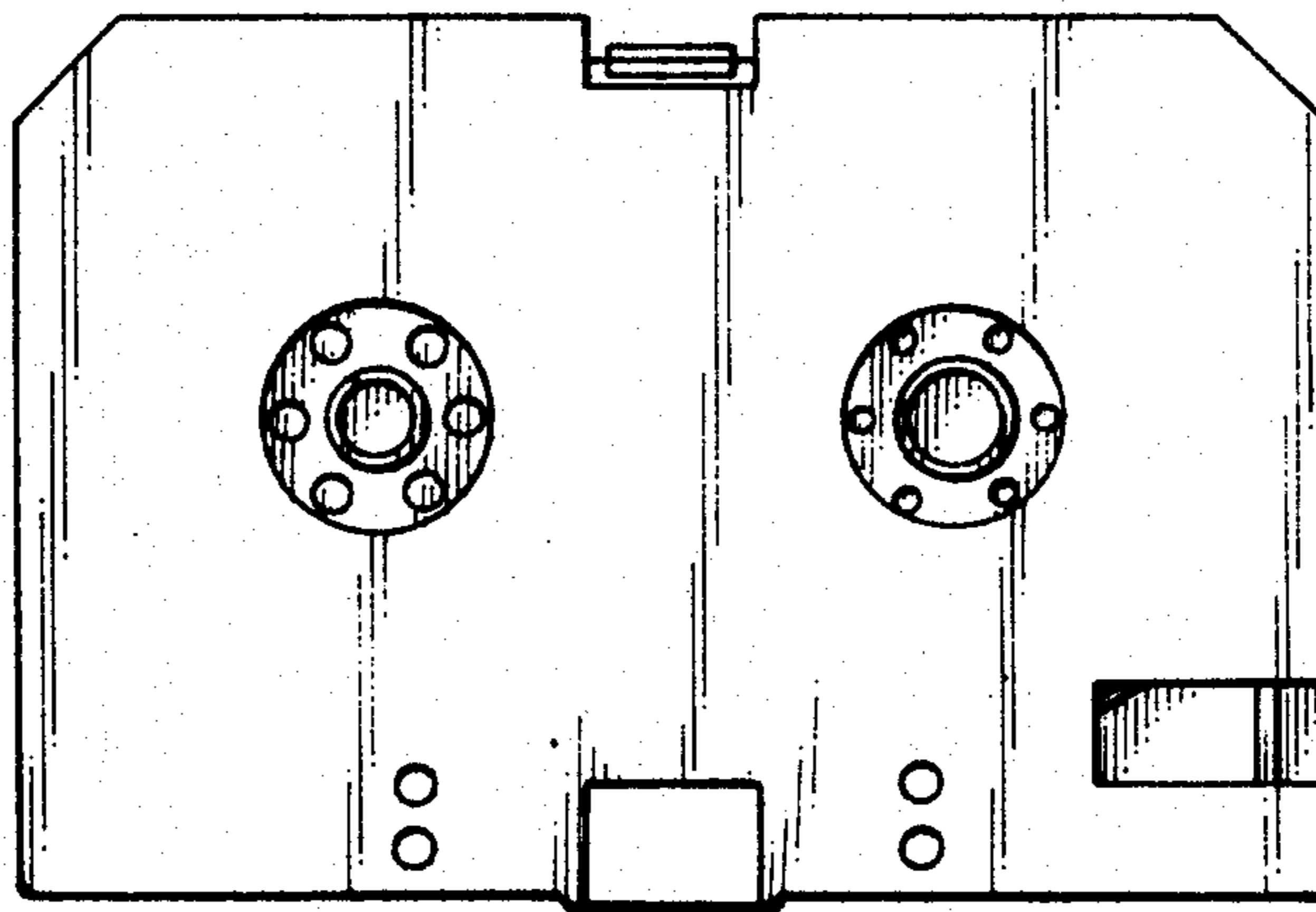


FIG. 8



**UNITED STATES PATENT AND TRADEMARK OFFICE
CERTIFICATE OF CORRECTION**

PATENT NO. : Des. 285,808

DATED : September 23, 1986

INVENTOR(S) : Seiro Fuziwara, Masao Kobori and Norio Takida

It is certified that error appears in the above-identified patent and that said Letters Patent is hereby corrected as shown below:

**On the face of the patent, the Assignee's name should read
as follows:**

TOKYO ELECTRIC CO., LTD, Tokyo, Japan

**Signed and Sealed this
Twentieth Day of January, 1987**

Attest:

DONALD J. QUIGG

Attesting Officer

Commissioner of Patents and Trademarks