

[54] EYEGLASSES

[76] Inventor: John W. Looney, 228 Finley Dr., Decatur, Ala. 35602

[**] Term: 14 Years

[21] Appl. No.: 526,707

[22] Filed: Aug. 26, 1983

[52] U.S. Cl. D16/102; D16/104

[58] Field of Search D16/100-123, D16/125, 127; D2/234; D11/54, 102; D28/87; 351/41, 51, 83, 42, 44, 45, 49, 85, 87-98, 111, 117

[56] References Cited

U.S. PATENT DOCUMENTS

D. 98,520 2/1936 Houser D16/111
2,920,327 1/1960 Singer 2/431

OTHER PUBLICATIONS

Optical Journal-Review, 5-1-1956, p. 59, "Star" Eyeglasses, top right of page.

Restaurants and Institutions, 4-15-1981, p. 5, McDonald's Restaurant Logo, top right of page.

Primary Examiner—Susan J. Lucas

Assistant Examiner—Clare E. Heflin

Attorney, Agent, or Firm—C. A. Phillips

[57] CLAIM

The ornamental design for eyeglasses, substantially as shown and described.

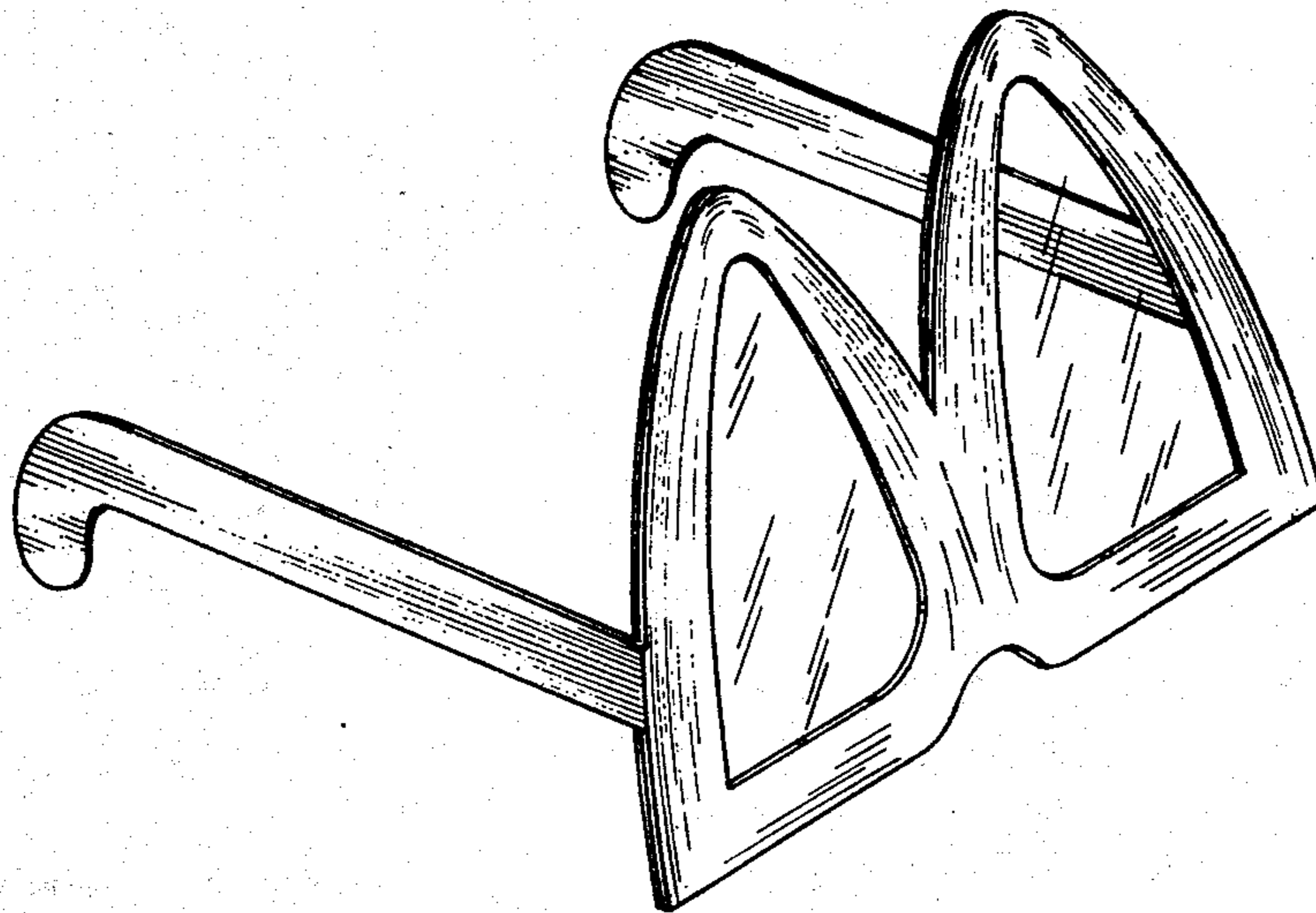
DESCRIPTION

FIG. 1 is a rear perspective view of eyeglasses showing my new design;

FIG. 2 is a front perspective view thereof;

FIG. 3 is a top plan view thereof; and

FIG. 4 is a bottom plan view thereof.



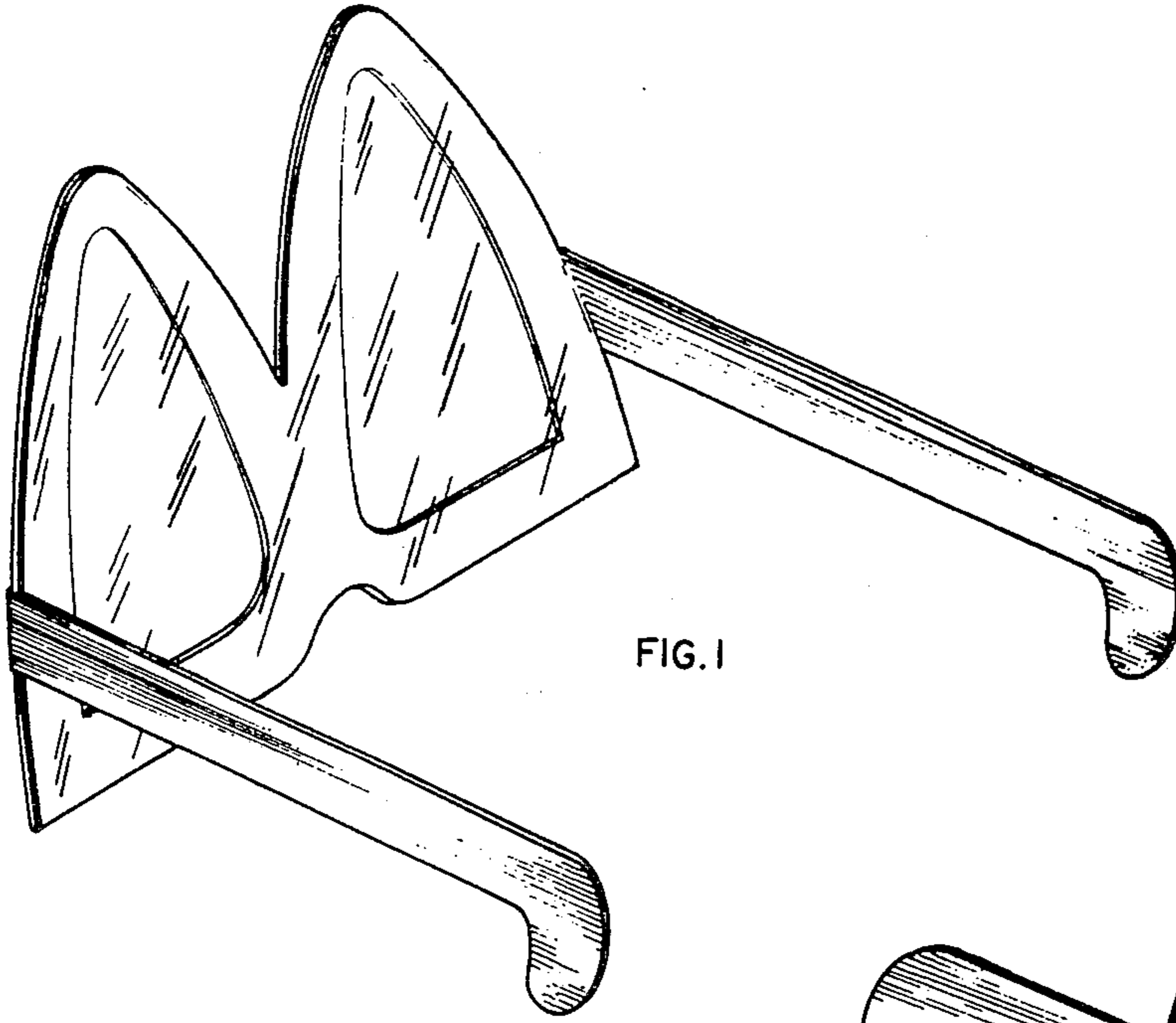


FIG. 1

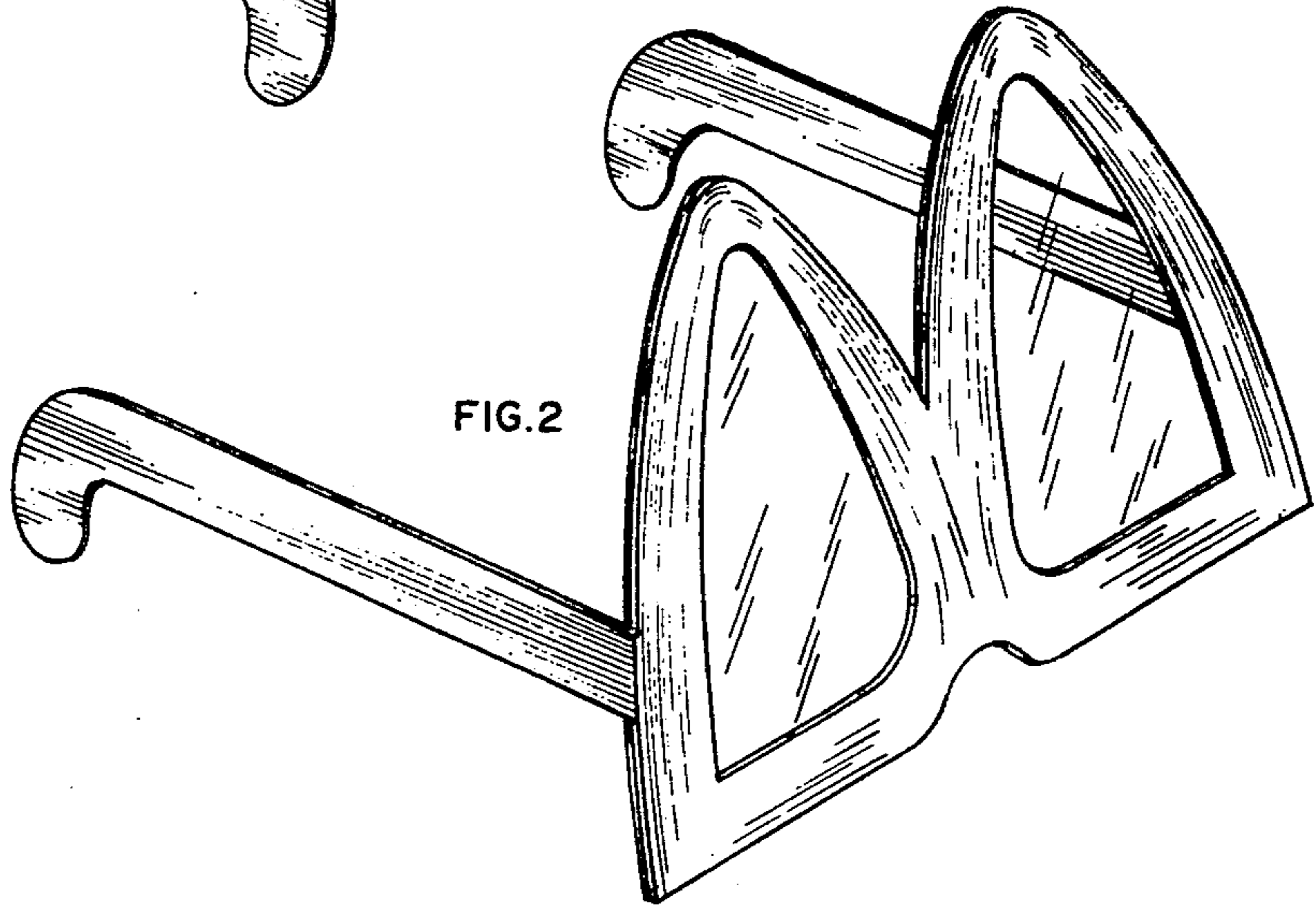


FIG. 2

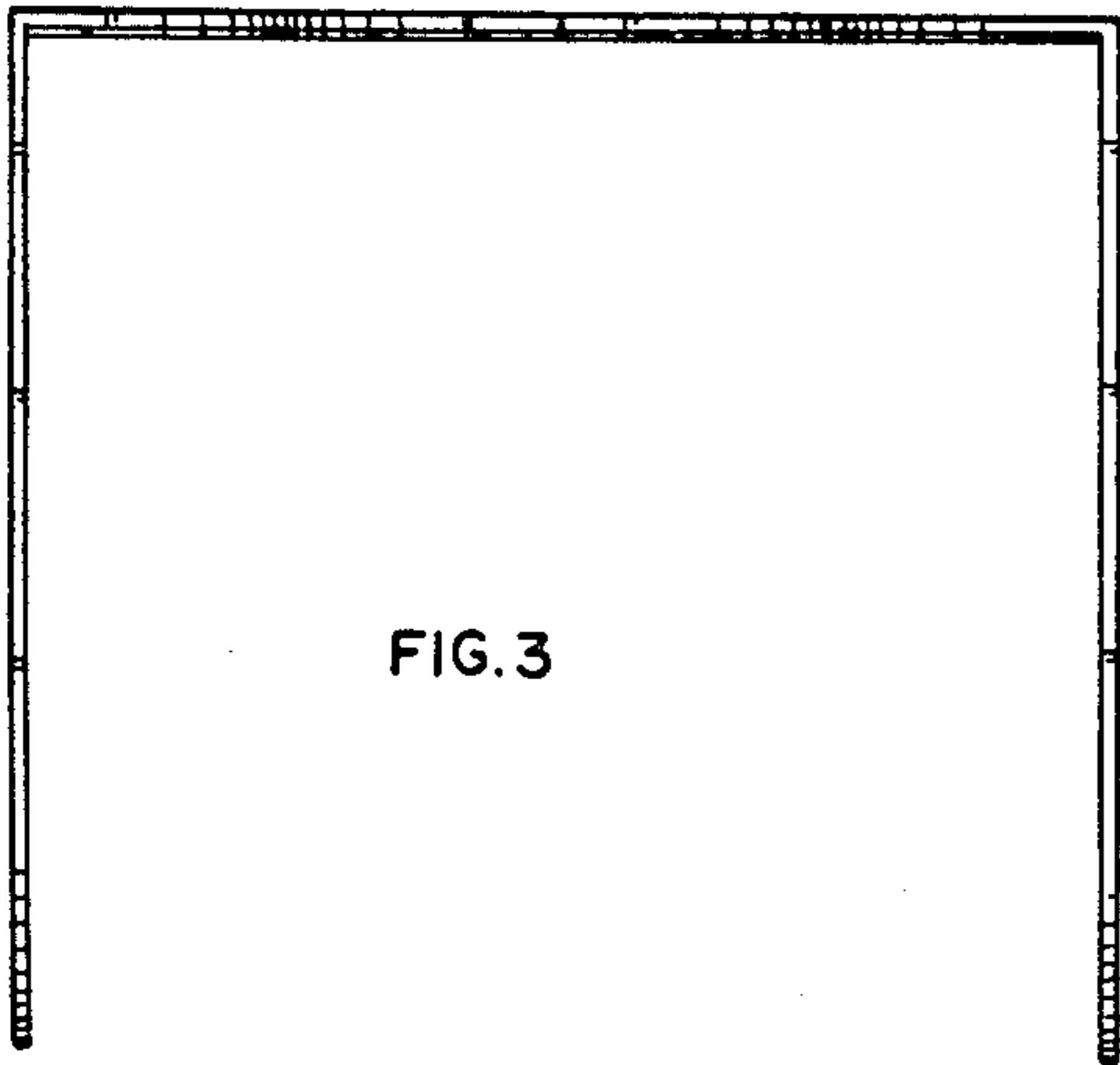


FIG. 3

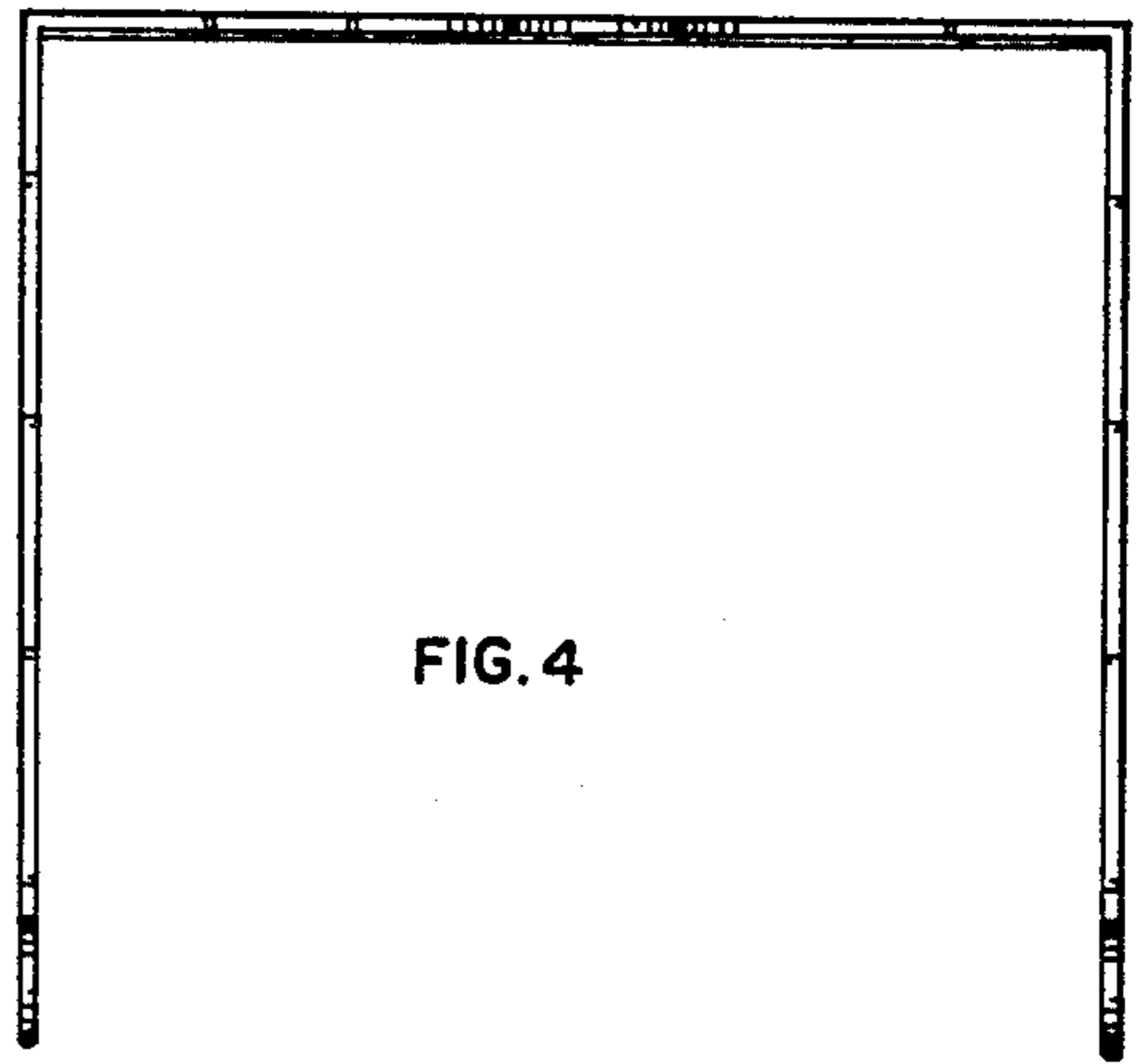


FIG. 4