

- [54] **HEAT SEALING MACHINE**
- [75] **Inventor: Teruo Yamada, Osaka, Japan**
- [73] **Assignee: Fuji Mfg. Co. Ltd., Osaka, Japan**
- [**] **Term: 14 Years**
- [21] **Appl. No.: 592,998**
- [22] **Filed: Mar. 23, 1984**
- [52] **U.S. Cl. D15/146**
- [58] **Field of Search D15/146; 156/583.1, 156/583.9, 583.2**

4,004,503 1/1977 Dwyer 156/583.9
 4,045,272 8/1977 Lombardi 156/583.9

Primary Examiner—B. J. Bullock
Attorney, Agent, or Firm—Sughrue, Mion, Zinn, Macpeak & Seas

[57] **CLAIM**

The ornamental design for a heat sealing machine, as shown.

DESCRIPTION

FIG. 1 is a front, top and right side perspective view of a heat sealing machine showing my new design; FIG. 2 is a front elevational view thereof; FIG. 3 is a top plan view thereof; FIG. 4 is a right side elevational view thereof; FIG. 5 is a left side elevational view thereof; FIG. 6 is a rear elevational view thereof; and FIG. 7 is a bottom plan view thereof.

[56] **References Cited**

U.S. PATENT DOCUMENTS

D. 277,386	1/1985	Yamada	D15/146
3,106,630	10/1963	Klamp	156/583.9
3,484,324	12/1969	Führ	156/583.9
3,764,434	10/1973	Bridenstine	156/583.9

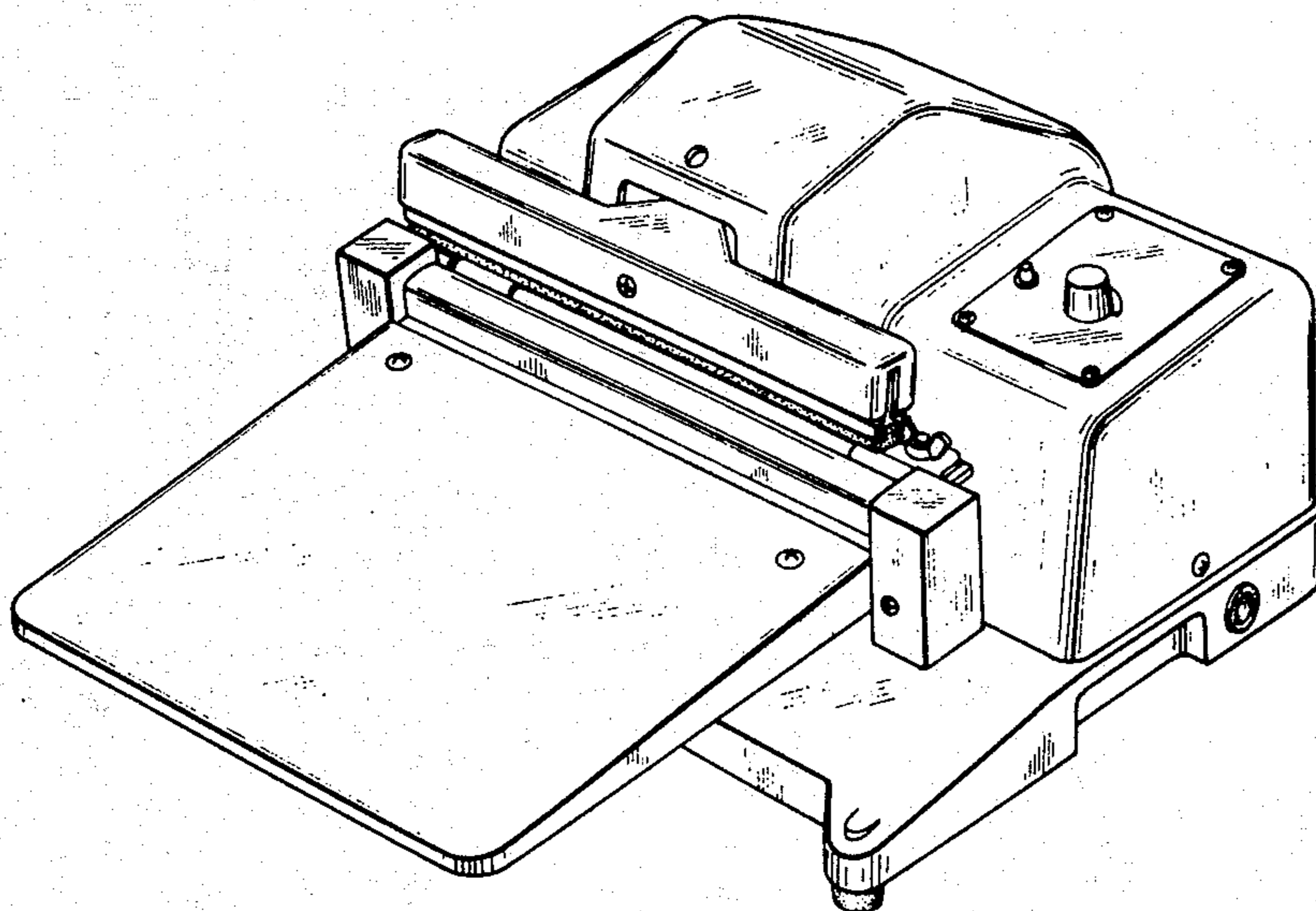


FIG. 1

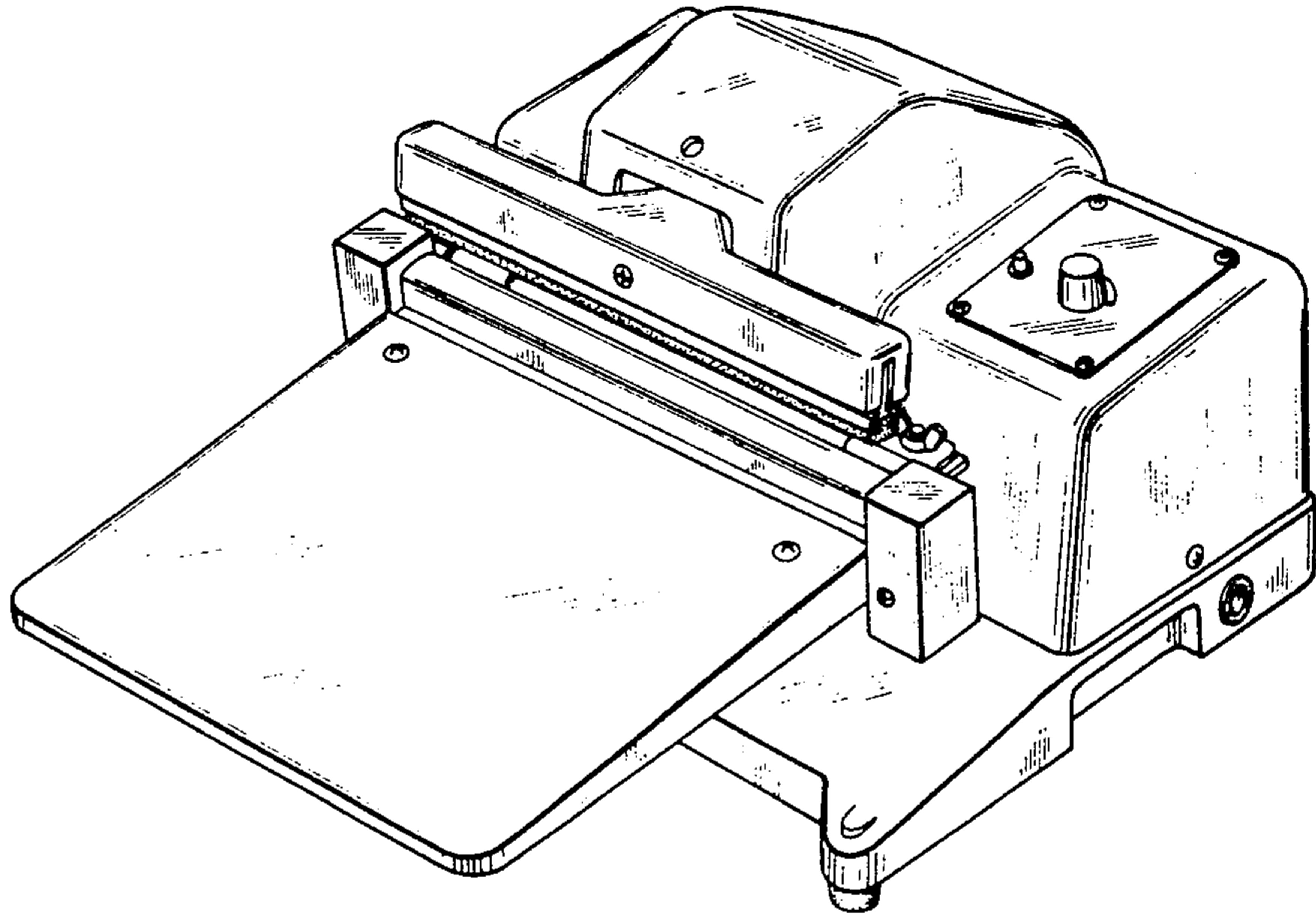


FIG. 2

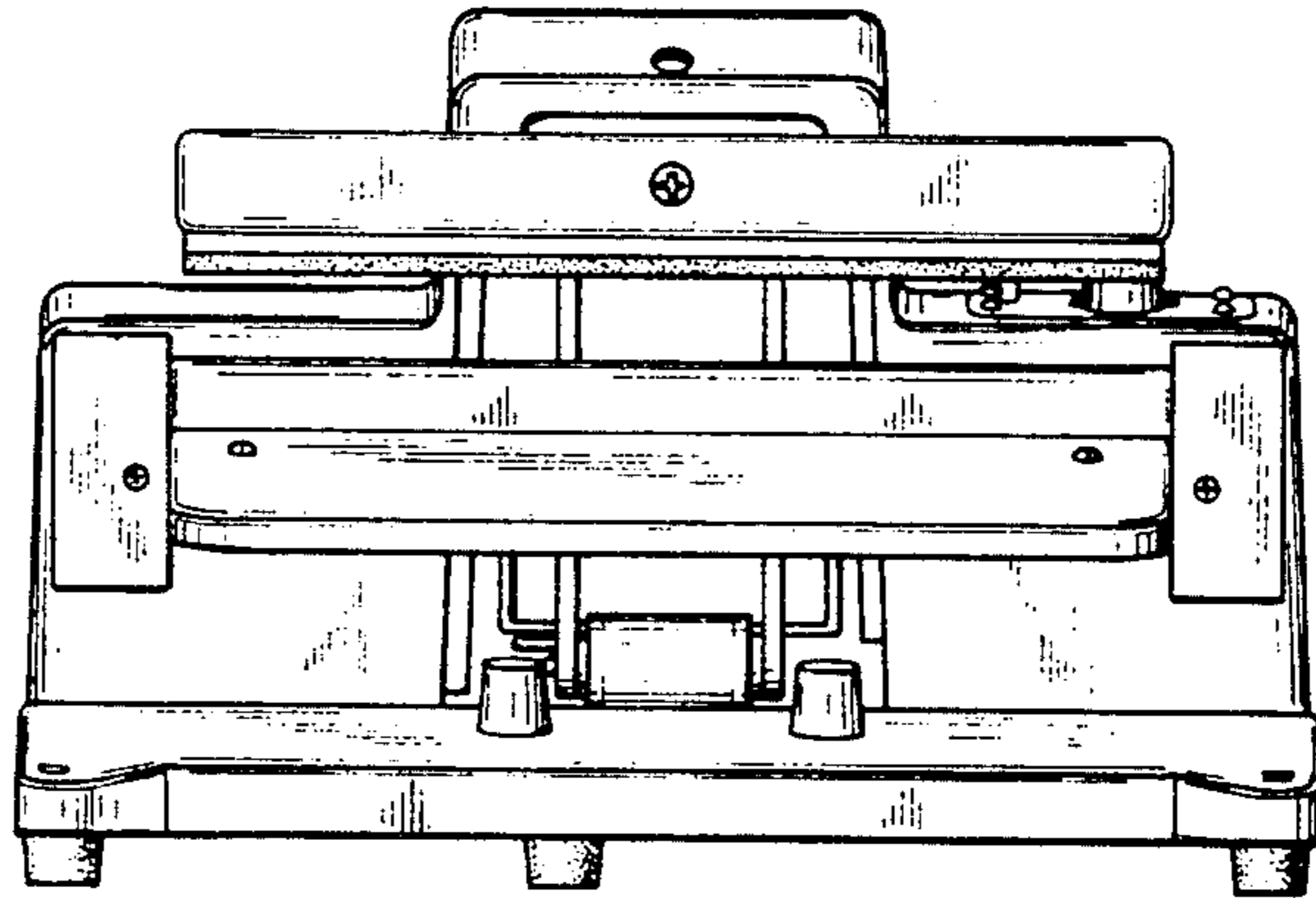


FIG. 3

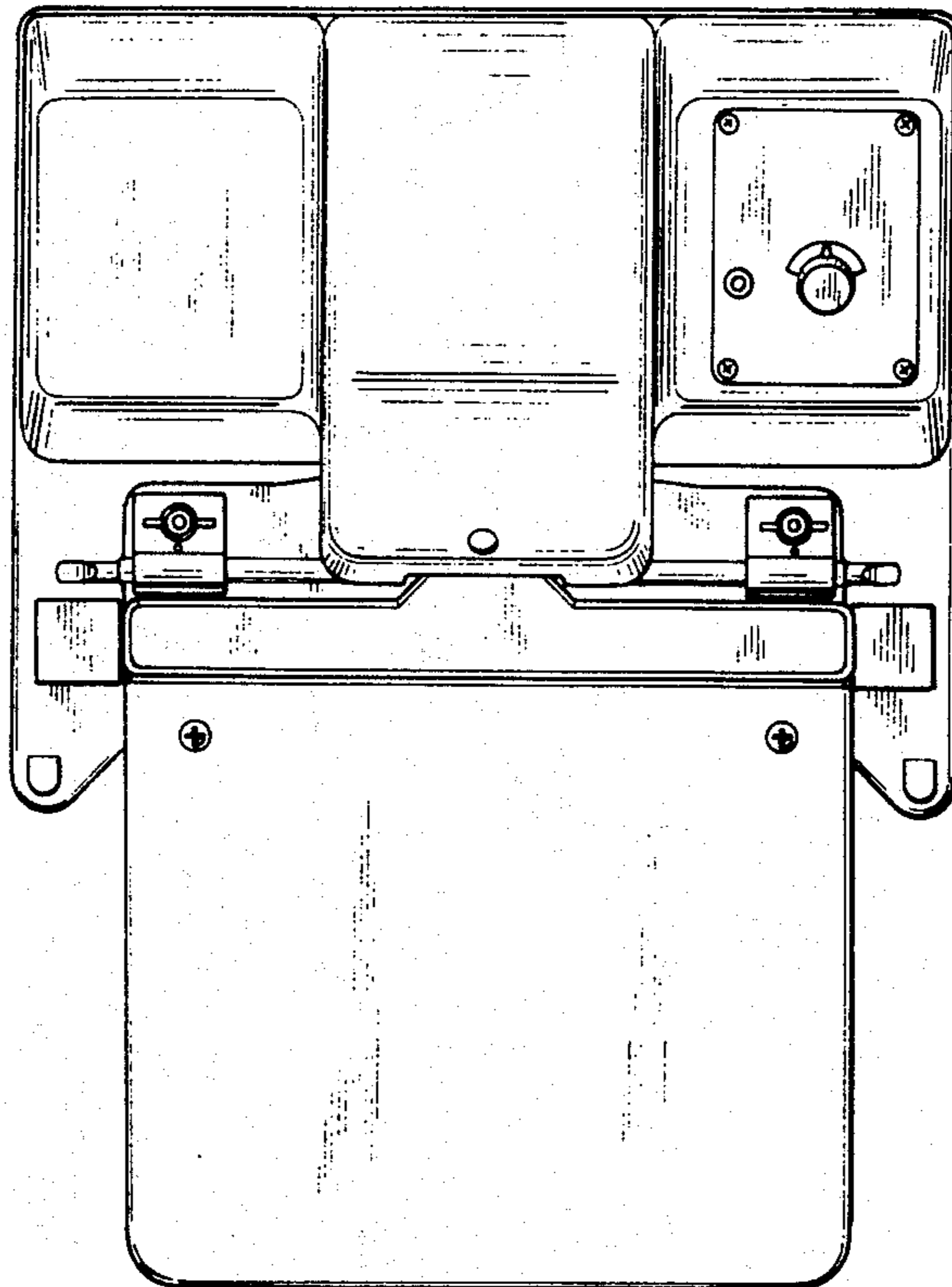


FIG. 4

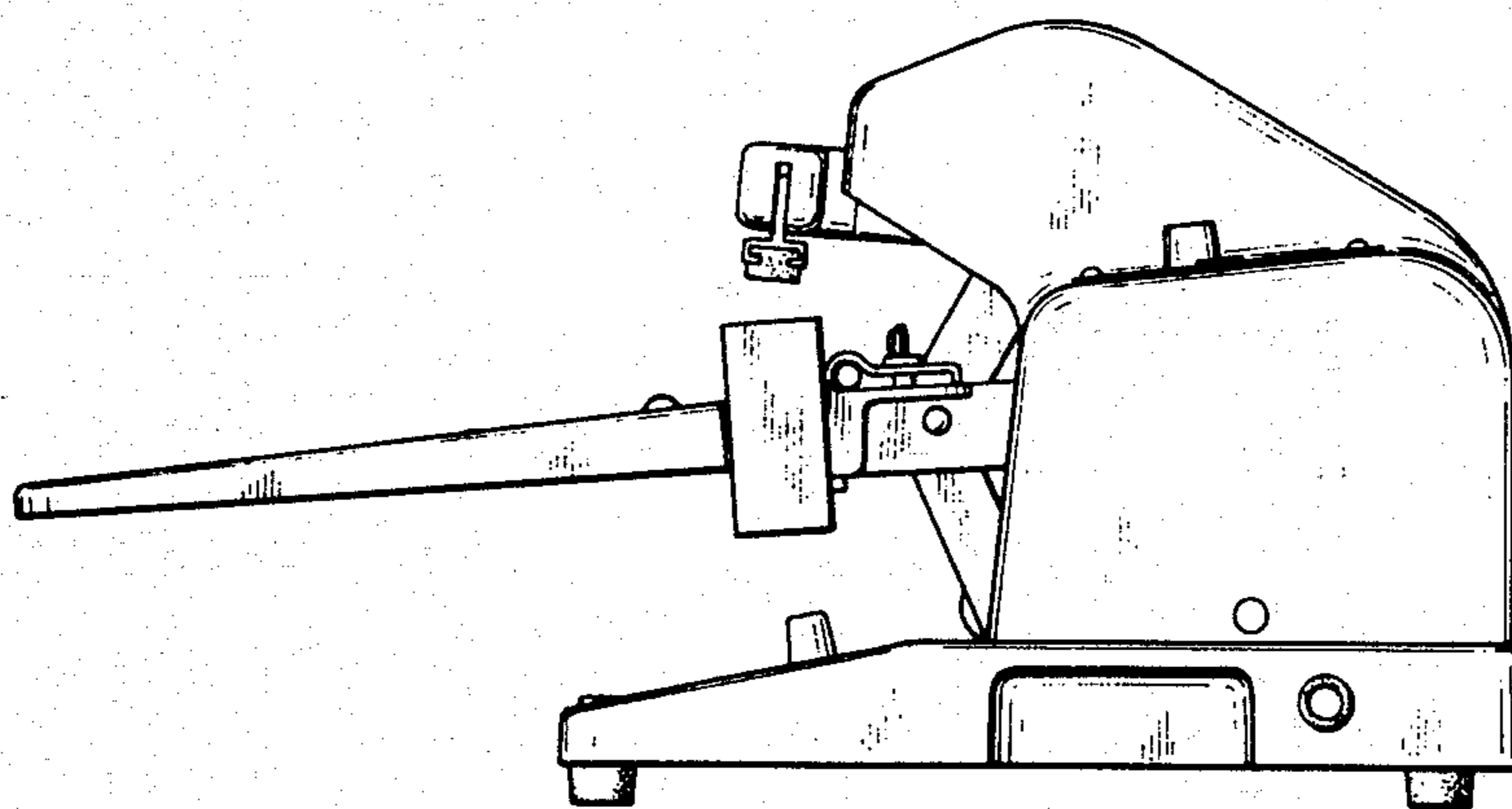


FIG. 5

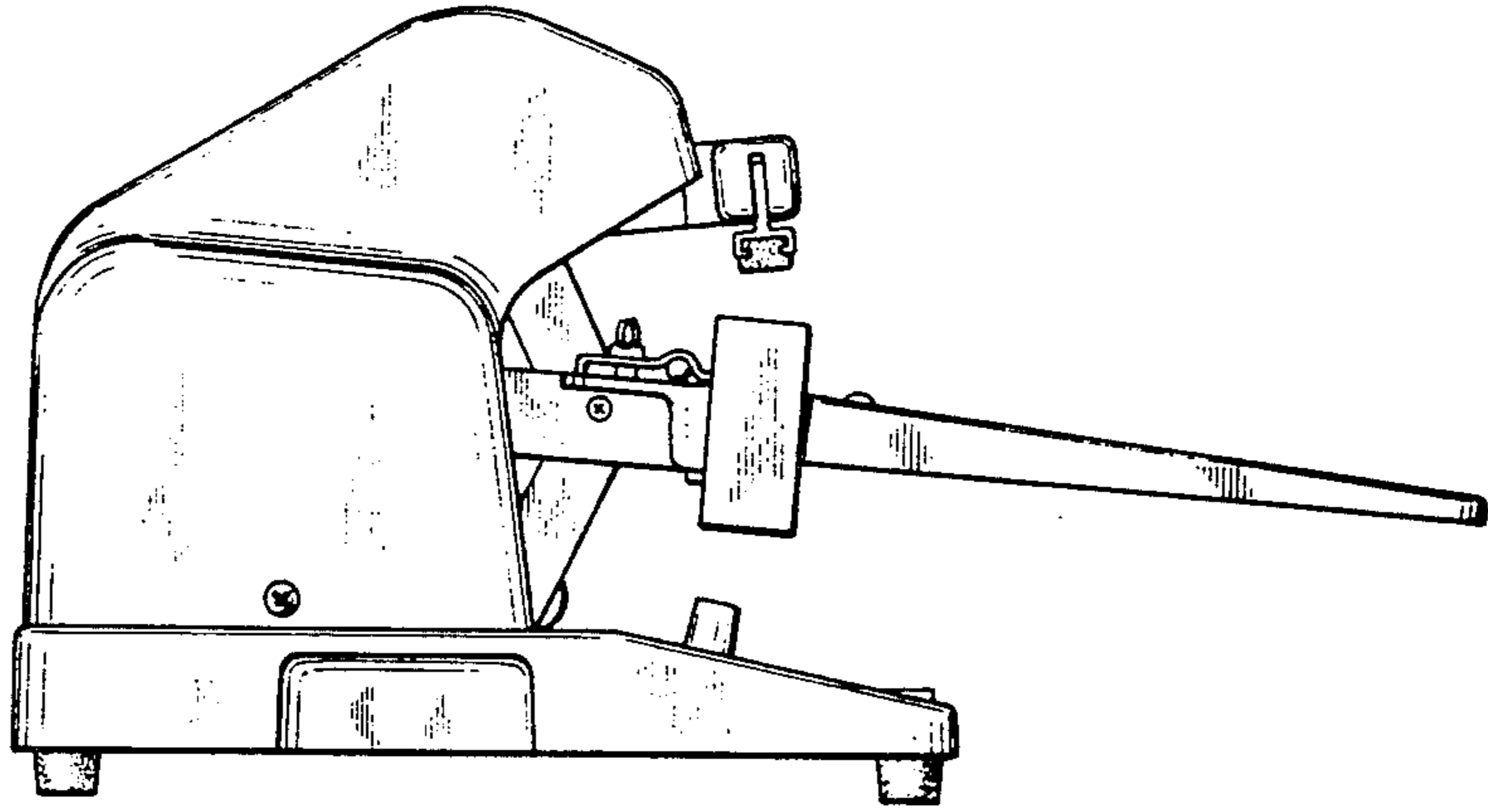


FIG. 6

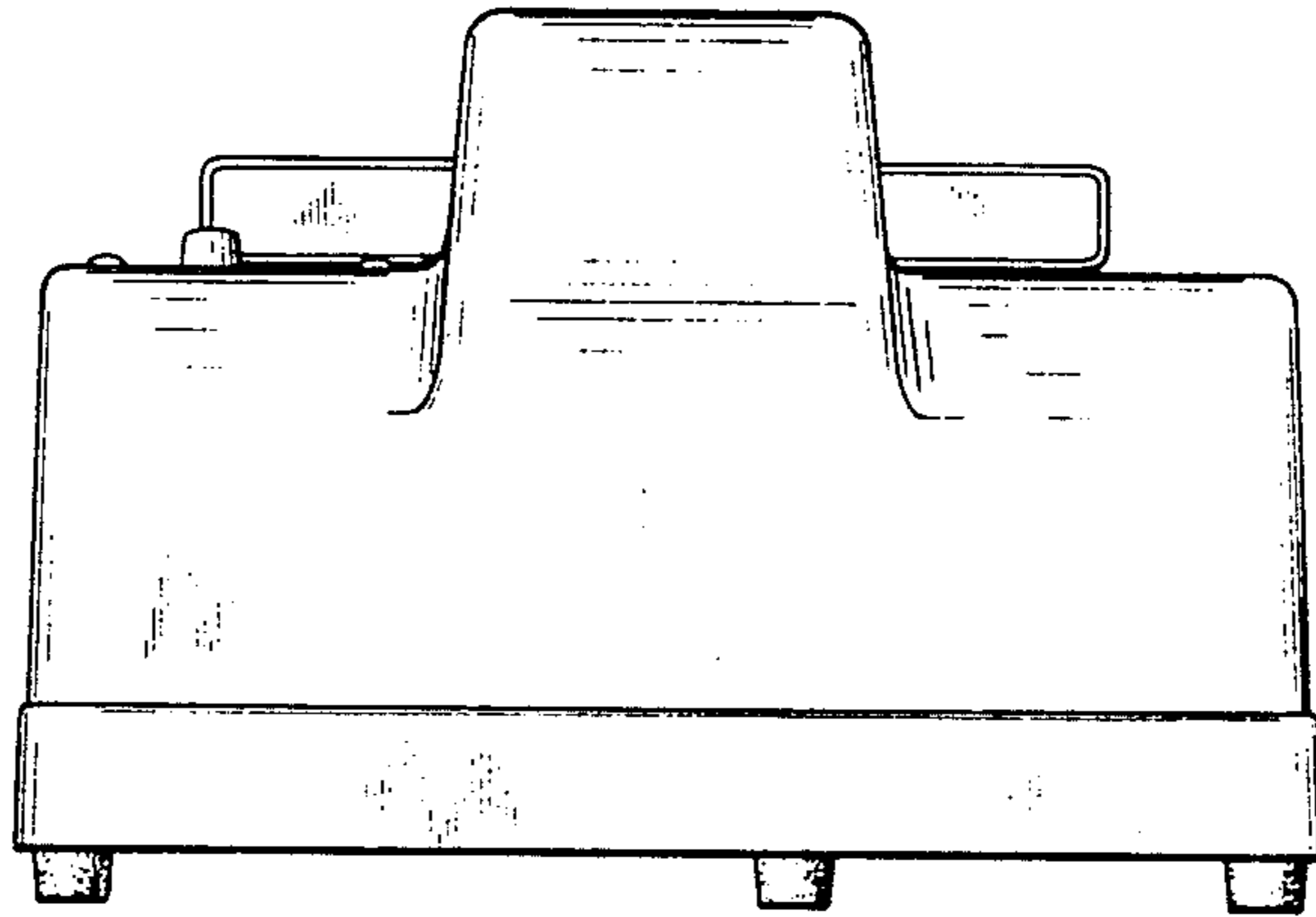


FIG. 7

