

[54] SET OF PILLARS AND BUSHES

[76] Inventors: Ake Brunnegard, Furuvägen 10; Erik W. Nilsson, Asbovägen 1; Hans Ring, Furuvägen 14, all of, S-513 00 Fristad, Sweden

[\*\*] Term: 14 Years

[21] Appl. No.: 554,796

[22] Filed: Nov. 23, 1983

[30] Foreign Application Priority Data

Jun. 9, 1983 [AT] Austria ..... 529.691 - 700

[52] U.S. Cl. .... D15/143; D15/138

[58] Field of Search ..... D15/138, 140, 143; 403/225, 226, 164; 248/158, 188.8

[56] References Cited

U.S. PATENT DOCUMENTS

1,527,386	2/1925	Barnard	211/59.1
3,315,537	4/1967	Keller	403/225
3,893,775	7/1975	Sievers et al.	403/225
4,265,057	5/1981	Hoffman	279/83

OTHER PUBLICATIONS

Acme Precision Bushings, 9/8/1981, p. 35, Bushing, type P,L in upper left corner, type OG#12 (O) in middle of page.

Acme Precision Bushings, 9/8/1981, p. 28, Bushing type HL seen in lower right corner.

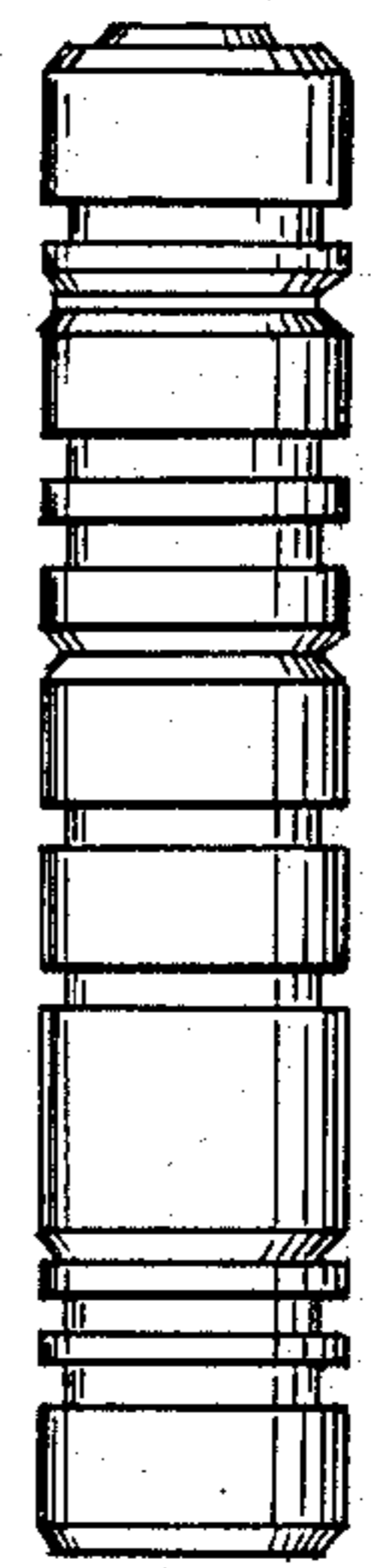
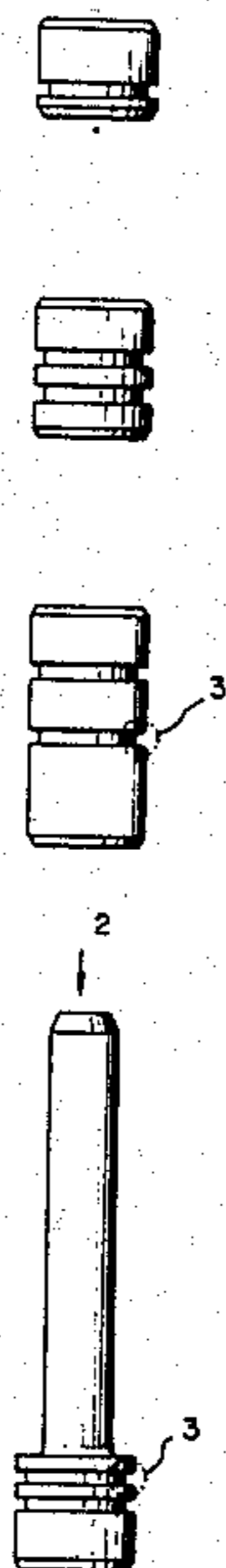
Primary Examiner—B.J. Bullock  
Assistant Examiner—Suzanne N. Gitlin  
Attorney, Agent, or Firm—Browdy and Neimark

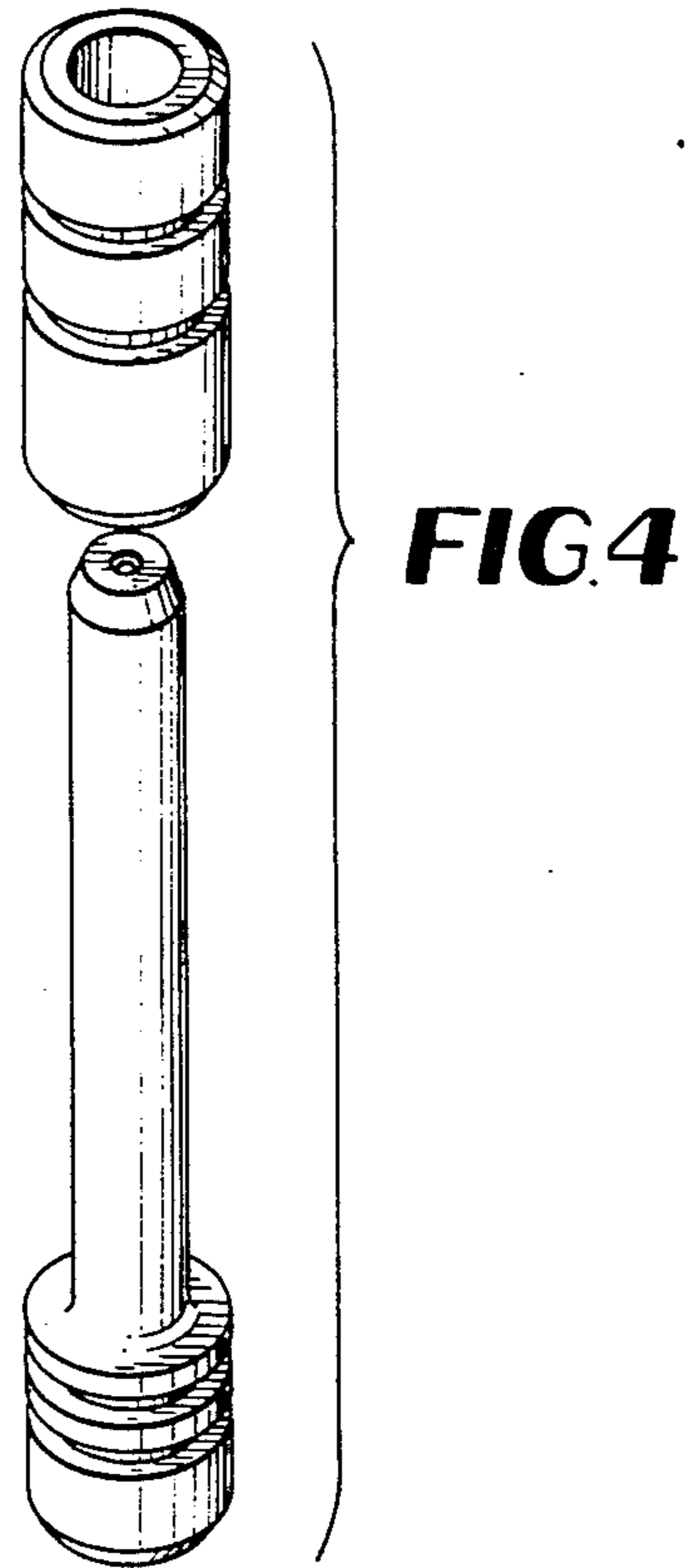
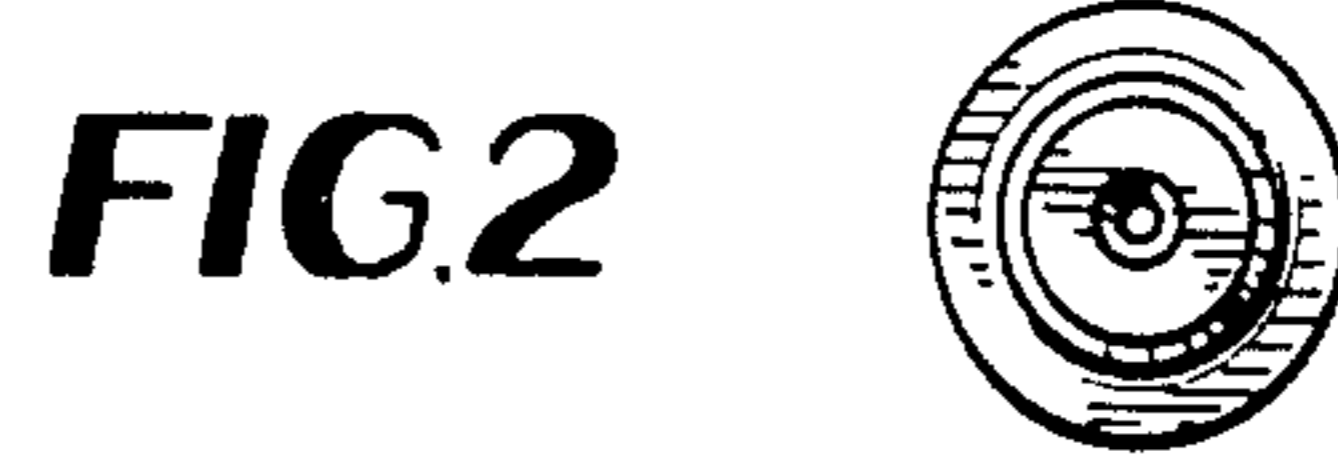
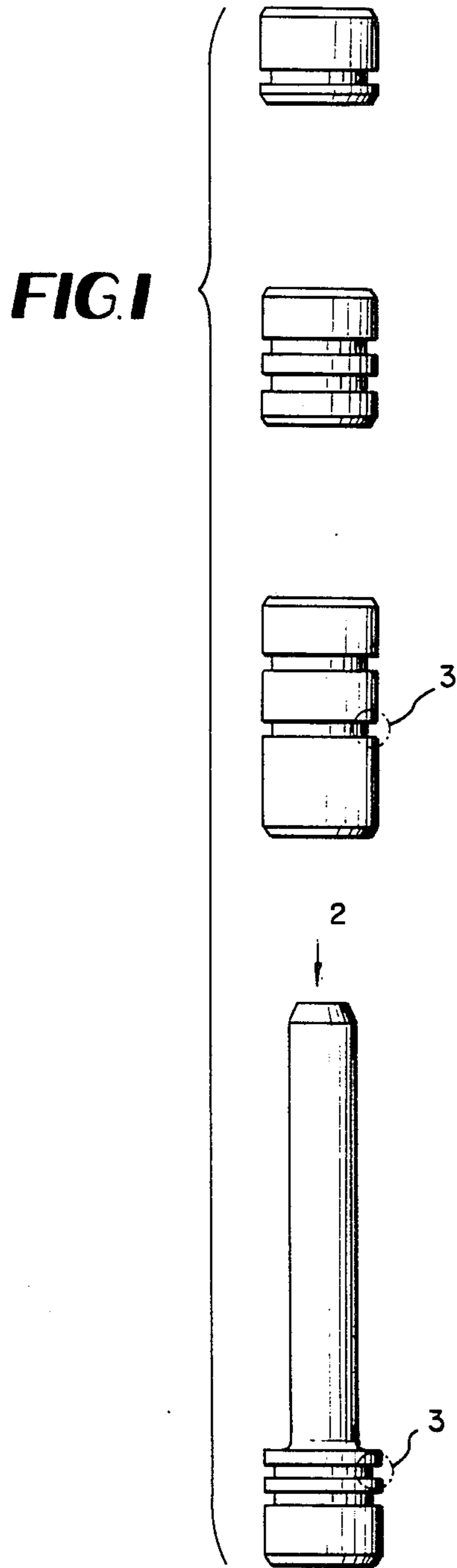
[57] CLAIM

The ornamental design for a set of pillars and bushes, as shown and described.

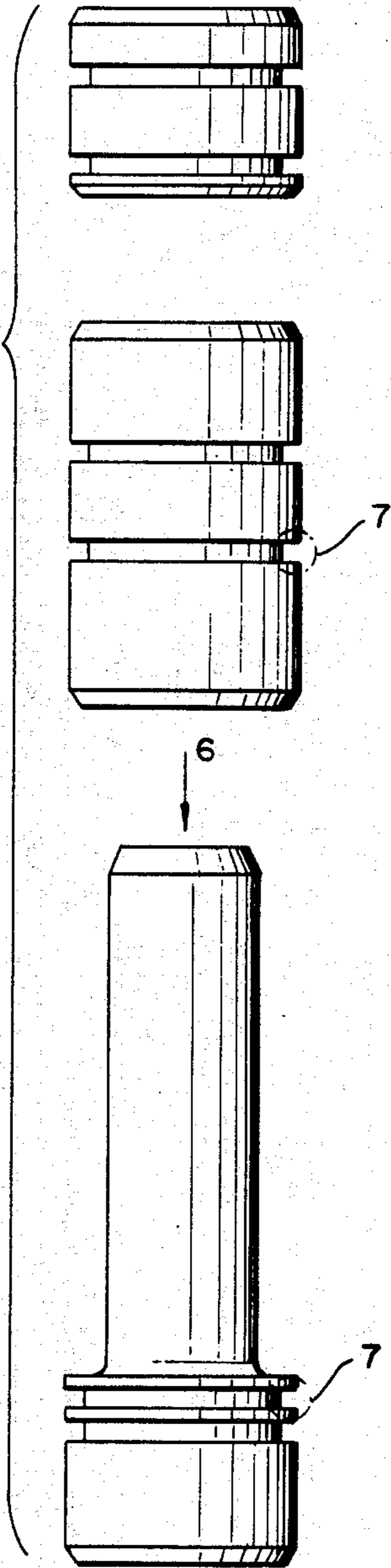
DESCRIPTION

FIG. 1 is an exploded side elevational view of a set of pillars and bushes showing my new design;  
 FIG. 2 is an end elevational view taken in the direction of arrow 2 in FIG. 1;  
 FIG. 3 is an enlarged sectional view taken within the encircled areas 3 in FIG. 1;  
 FIG. 4 is an exploded perspective view thereof, with the bottom bush only shown above the pillar;  
 FIG. 5 is an exploded side elevational view of a second embodiment of FIG. 1;  
 FIG. 6 is an end elevational view taken in the direction of arrow 6 in FIG. 5;  
 FIG. 7 is an enlarged sectional view taken within the encircled areas 7 in FIG. 5;  
 FIG. 8 is an exploded perspective view of FIG. 5, with the bottom bush only shown above the pillar;  
 FIG. 9 is an exploded side elevational view of a third embodiment of FIG. 1;  
 FIG. 10 is an end elevational view taken in the direction of arrow 10 of FIG. 9;  
 FIG. 11 is an enlarged sectional view taken within the encircled areas 11 in FIG. 9;  
 FIG. 12 is an exploded perspective view of FIG. 9, with the bottom bush only shown above the pillar;  
 FIG. 13 is a side elevational view of FIG. 1, shown in assembled condition;  
 FIG. 14 is a side elevational view of FIG. 5, shown in assembled condition;  
 FIG. 15 is a side elevational view of FIG. 9, shown in assembled condition.

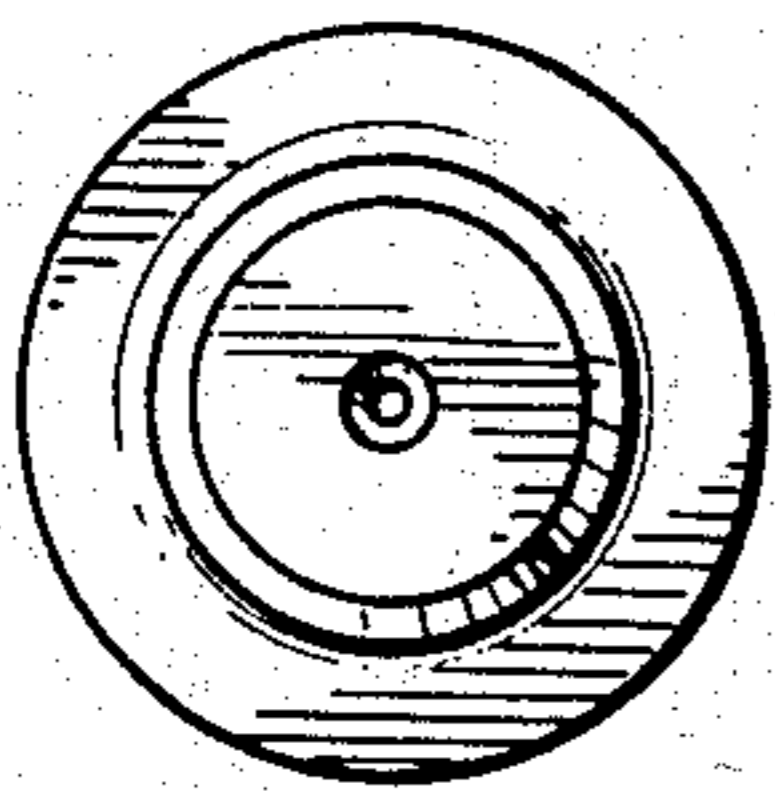
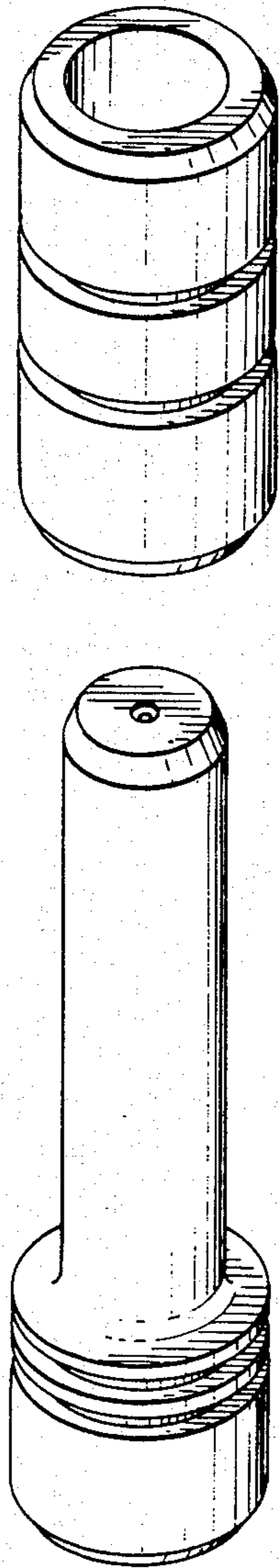




**FIG. 5**



**FIG. 8**



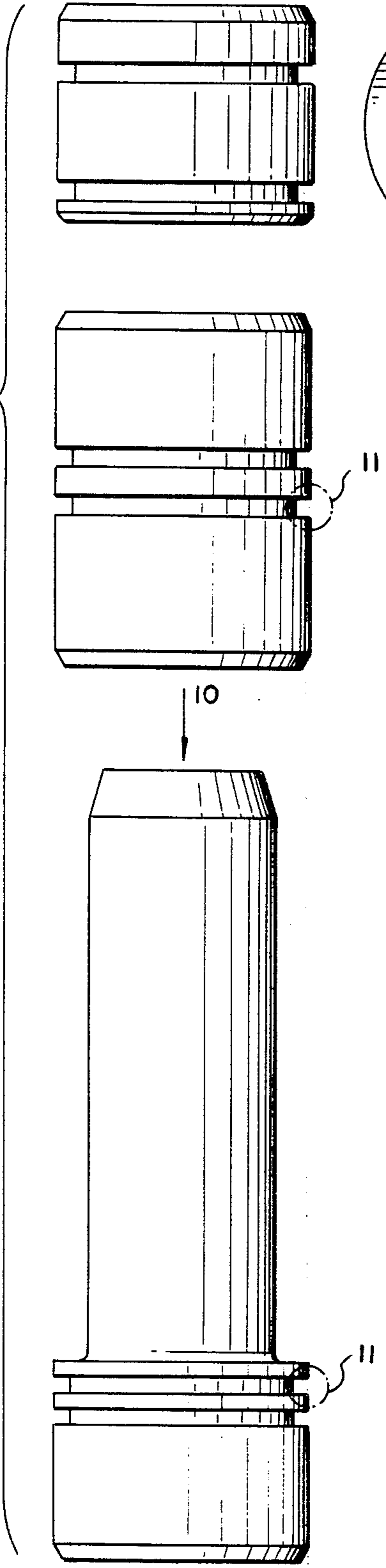
**FIG. 6**



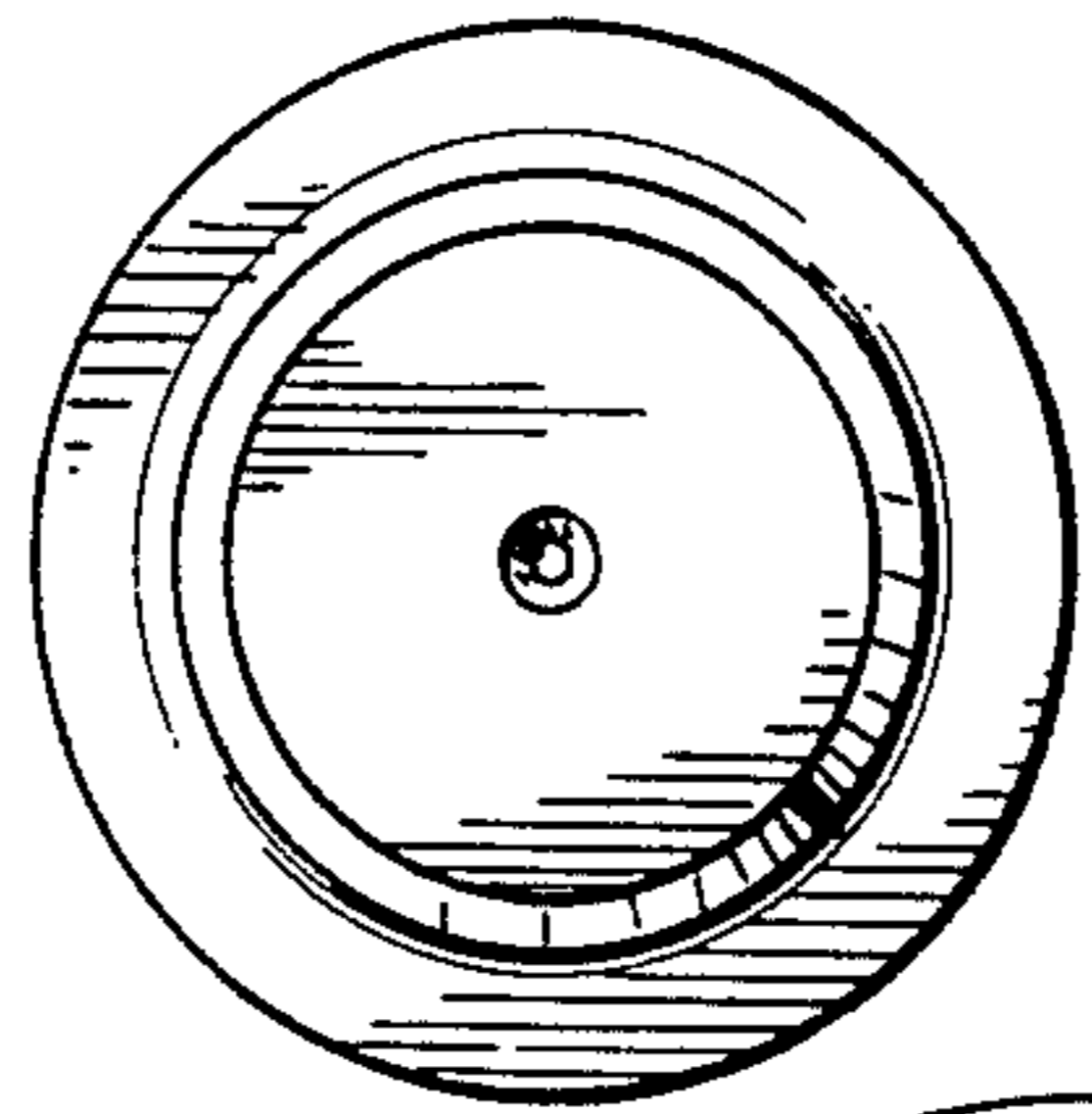
**FIG. 7**



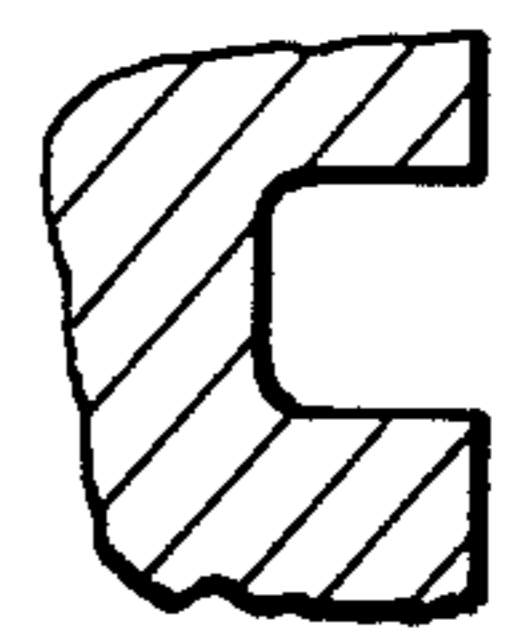
**FIG.9**



**FIG.10**



**FIG.11**



**FIG.12**

