

[54] DRILL PRESS

[75] Inventor: Robert W. Arehart, Cook County, Ill.

[73] Assignee: Emerson Electric Co., St. Louis, Mo.

[**] Term: 14 Years

[21] Appl. No.: 625,859

[22] Filed: Jun. 28, 1984

[52] U.S. Cl. D15/132

[58] Field of Search D15/132; 29/26 R; 408/87, 90, 135

[56] References Cited

U.S. PATENT DOCUMENTS

- D. 273,496 4/1984 House, II D15/132
- D. 277,865 3/1985 Chen D15/132
- 4,118,141 10/1978 Spohn, Jr. 408/90

OTHER PUBLICATIONS

- Delta International Brochure, five-page extract, Aug. 1985.
- Jet Drill Press Brochure, five-page extract, undated.
- Rockwell Machinery Booklet, four-page extract, Sep. 1983.
- Rockwell Portable Stationary Tools brochure, three-page extract, Jul. 1979.
- Rockwell Spring 1978 Buyers' Guide, five-page extract, Oct. 1977.

- Rutland Tool & Supply Sale Catalog, two-page extract, 1981.
- Sharp Machinery & Tools Product Sheets, three pages, undated.
- Shopcraft Benchtop & Portable Power Tools brochure, three-page extract, Aug. 1981.
- Shopcraft Product Sheet, two pages, Aug. 1984.
- Toolkraft Power Tools Trade Book, five-page extract, 1979.
- Altraco Inc. Booklet, seven-page extract, undated.
- Black & Decker Power Tools Catalog, three-page extract, 1984.
- Black & Decker Product Announcement, two pages, undated.

Primary Examiner—B. J. Bullock
Attorney, Agent, or Firm—Polster, Polster and Lucchesi

[57] CLAIM

The ornamental design for drill press, as shown and described.

DESCRIPTION

FIG. 1 is a perspective view of a drill press showing my new design;
FIG. 2 is a front elevational view thereof;
FIG. 3 is a right side elevational view thereof;
FIG. 4 is a rear elevational view thereof;
FIG. 5 is a left side elevational view thereof;
FIG. 6 is a top plan view thereof; and
FIG. 7 is a bottom plan view thereof.

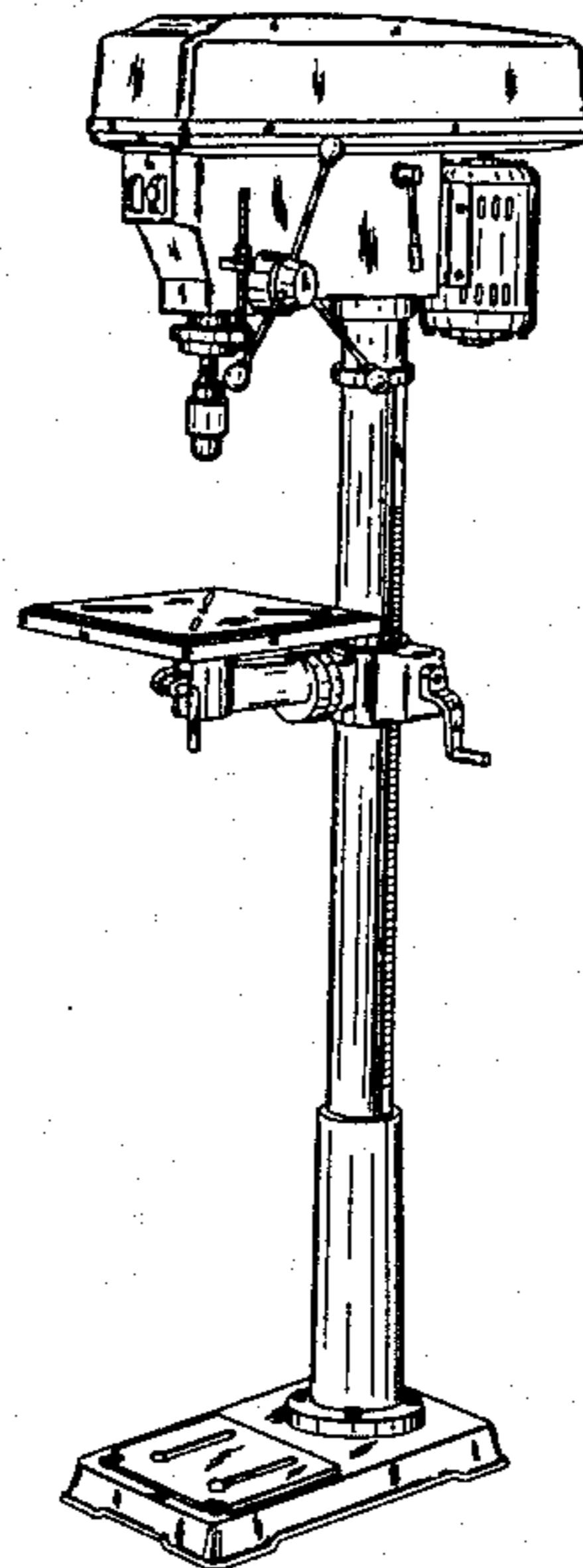


FIG. 1

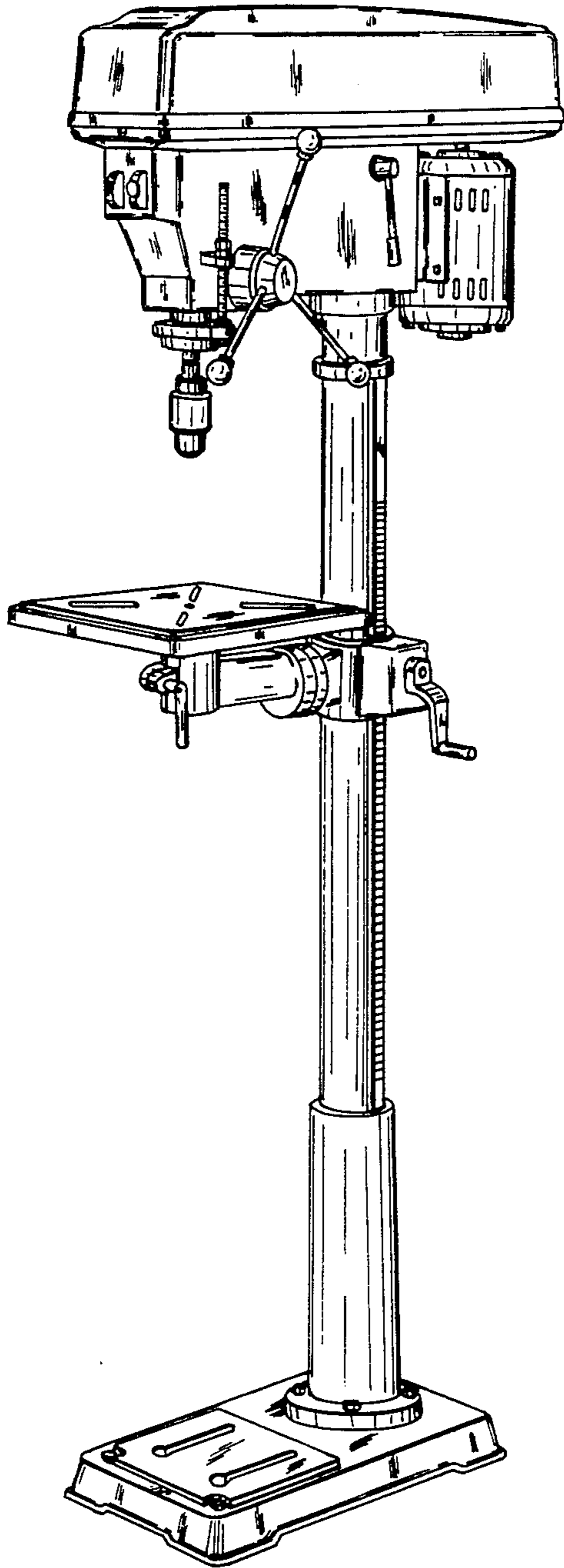


FIG. 2

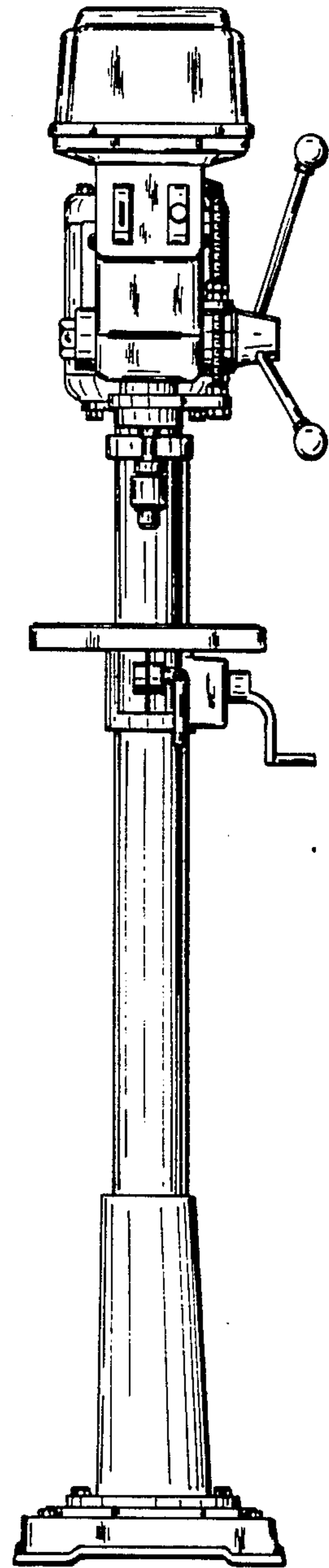


FIG. 3

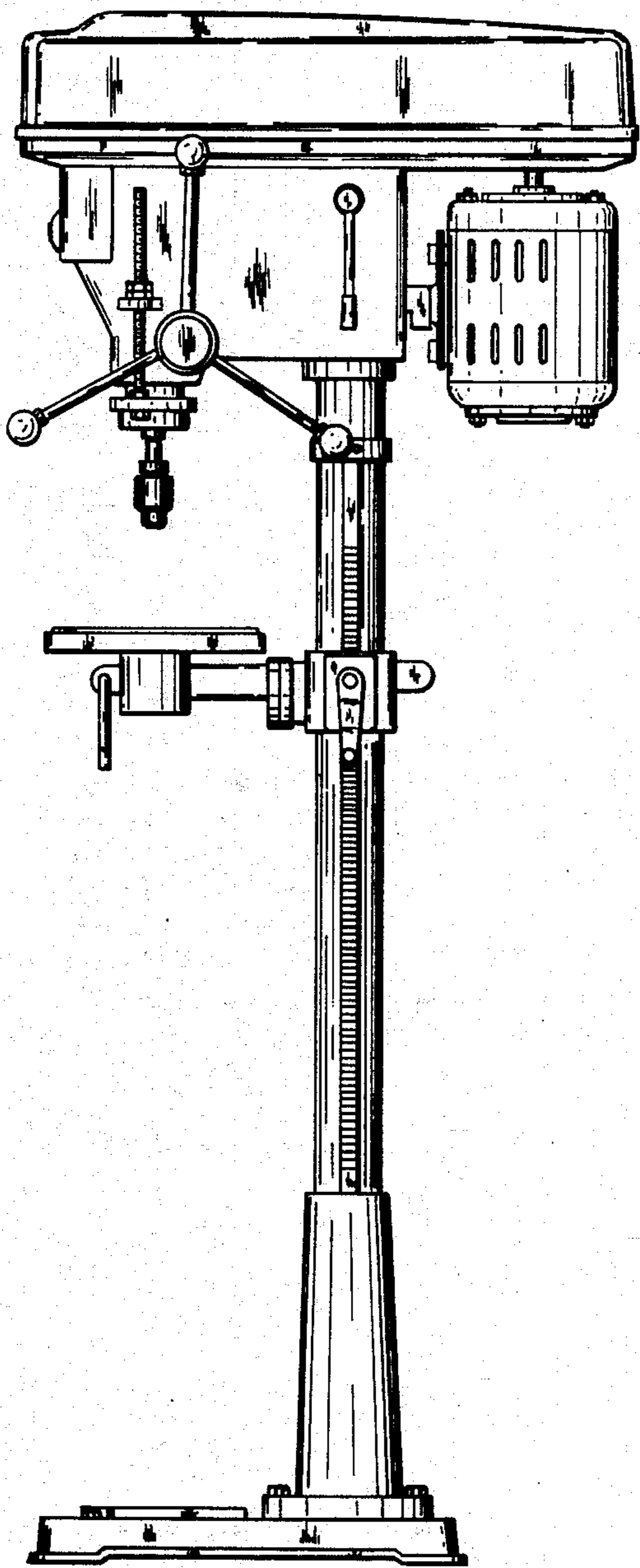


FIG. 4

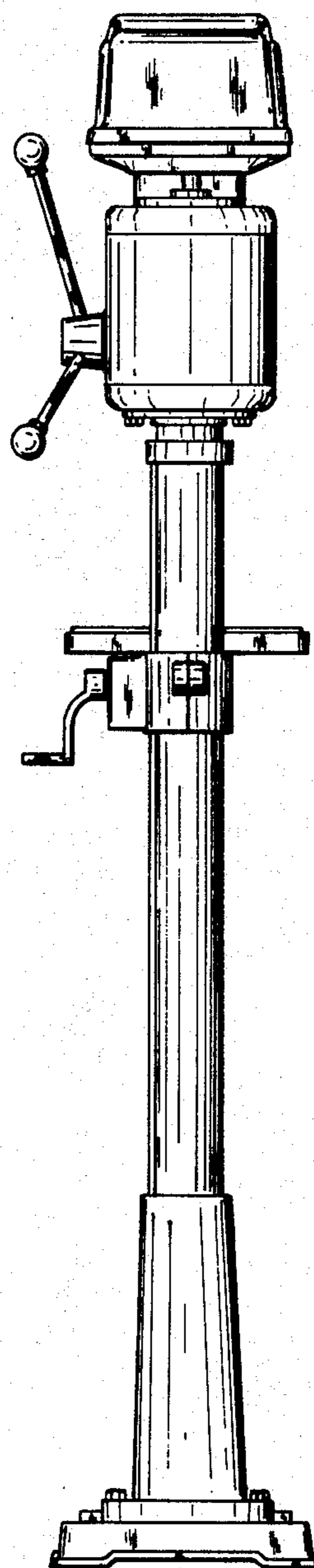


FIG. 5

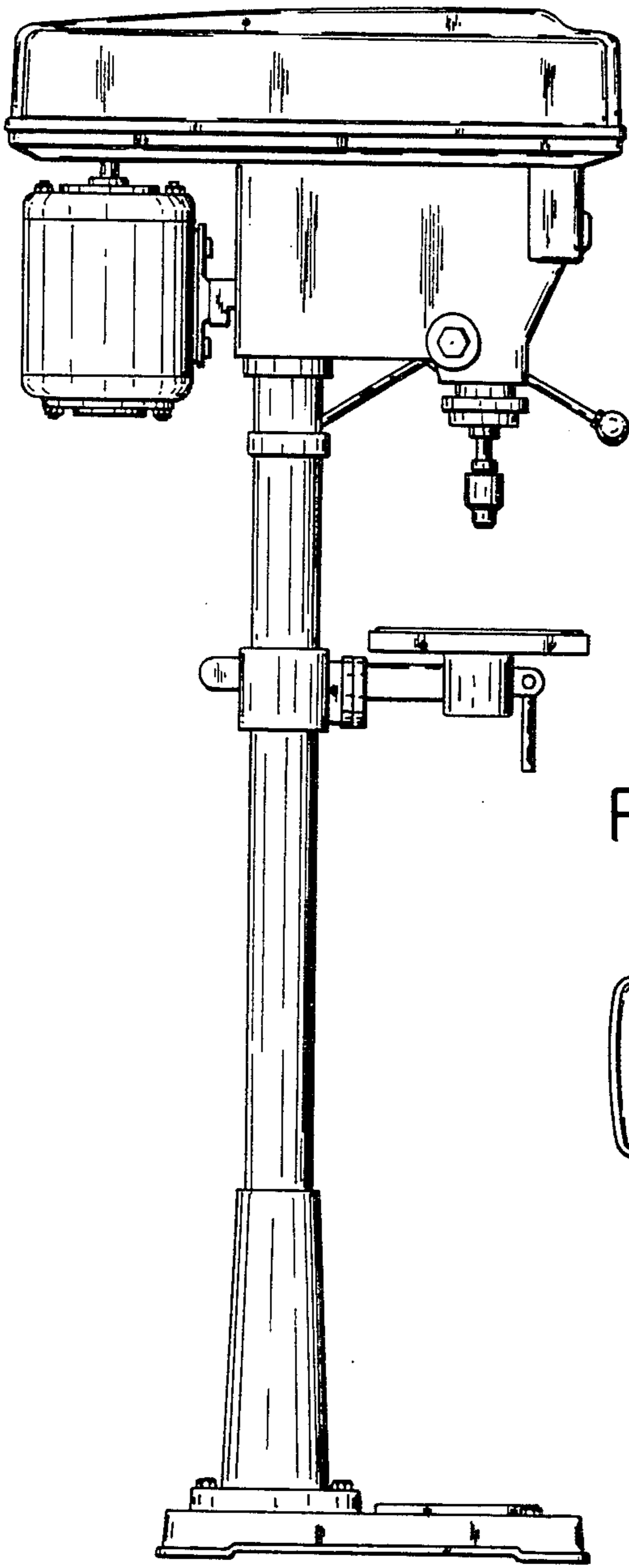


FIG. 6

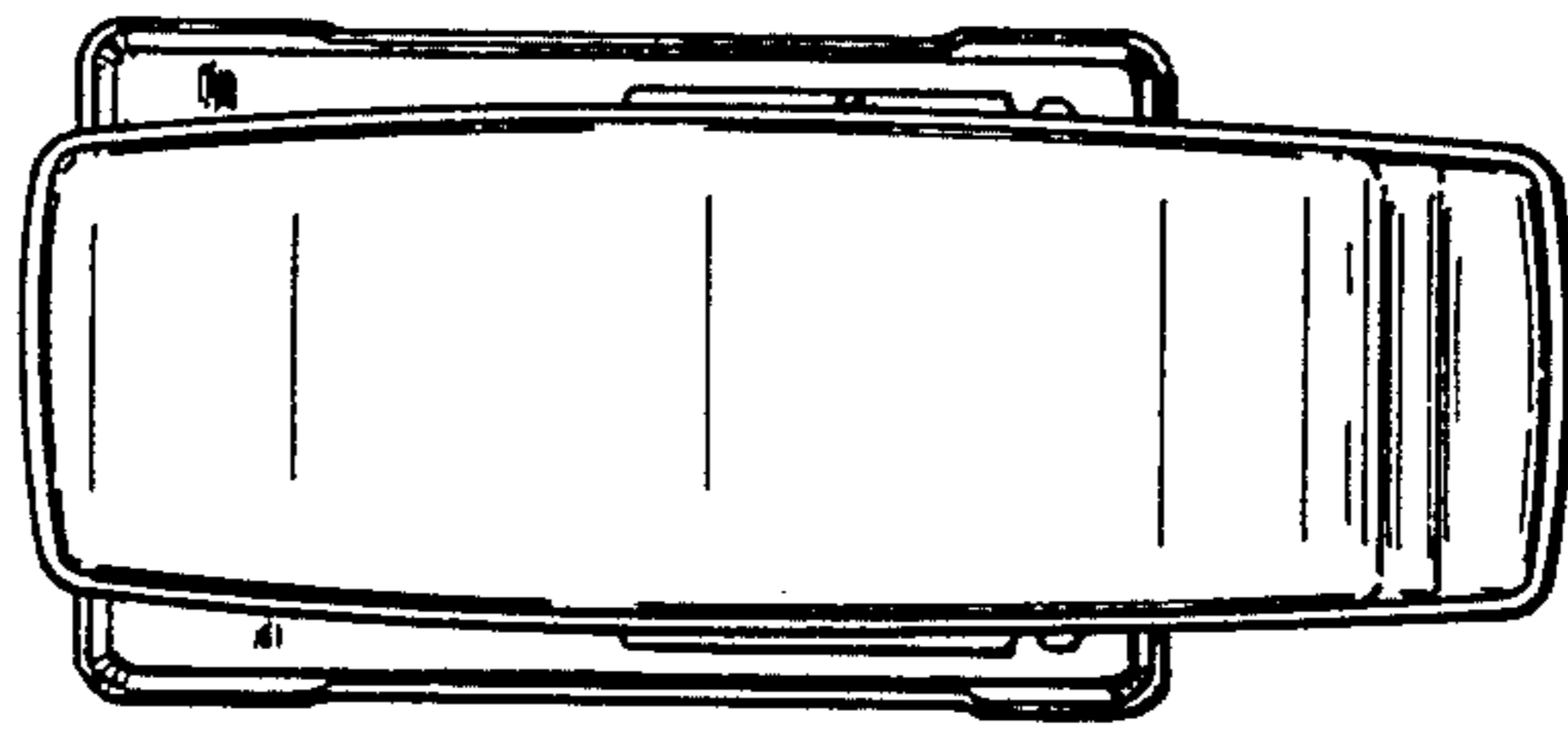


FIG. 7

