

[54] PAPER BRICKMAKING UNIT

[76] Inventor: John S. Doyel, 404 W. 20th St., New York, N.Y. 10011

[**] Term: 14 Years

[21] Appl. No.: 465,794

[22] Filed: Feb. 11, 1983

[52] U.S. Cl. D15/123; D15/136

[58] Field of Search D15/123, 135, 136; 425/383, 385, 413, 425, 431; 100/104, 126, 127, 299, 218; 249/120

[56] References Cited

U.S. PATENT DOCUMENTS

52,202	1/1866	Rand	100/127
445,732	2/1891	Oldham	D15/123
4,201,128	5/1980	Whitehead	100/218
4,291,064	9/1981	Retzlaff	100/104
4,450,764	5/1984	Montgomery	100/127

FOREIGN PATENT DOCUMENTS

2093717	9/1982	United Kingdom	100/104
---------	--------	----------------	---------

Primary Examiner—B. J. Bullock
Attorney, Agent, or Firm—Cooper, Dunham, Griffin & Moran

[57] CLAIM

The ornamental design for a paper brickmaking unit, as shown and described.

DESCRIPTION

FIG. 1 is an exploded perspective view of a paper brickmaking unit embodying my new design;
 FIG. 2 is a bottom plan view of a pressdown plate forming a part of the brickmaker of FIG. 1;
 FIG. 3 is a sectional view taken in the direction of the arrows on line 3—3 of FIG. 2;
 FIG. 4 is a sectional view taken in the direction of the arrows on line 4—4 of FIG. 2;
 FIG. 5 is a top plan view of a container forming a part of the brickmaker of FIG. 1;
 FIG. 6 is a bottom plan view of FIG. 5;
 FIG. 7 is an elevational view of the container, from the righthand side of FIG. 5;
 FIG. 8 is a sectional view taken in the direction of the arrows on line 8—8 of FIG. 5;
 FIG. 9 is a sectional view taken in the direction of the arrows on line 9—9 of FIG. 5;
 FIG. 10 is an elevational view of a pusher forming a part of the brickmaker of FIG. 1;
 FIG. 11 is a sectional view taken in the direction of the arrows on line 11—11 of FIG. 10;
 FIG. 12 is a perspective view thereof showing the brickmaking position of the individual elements;
 FIG. 13 is an inverted side elevational view thereof showing the pusher in position to eject the formed brick.

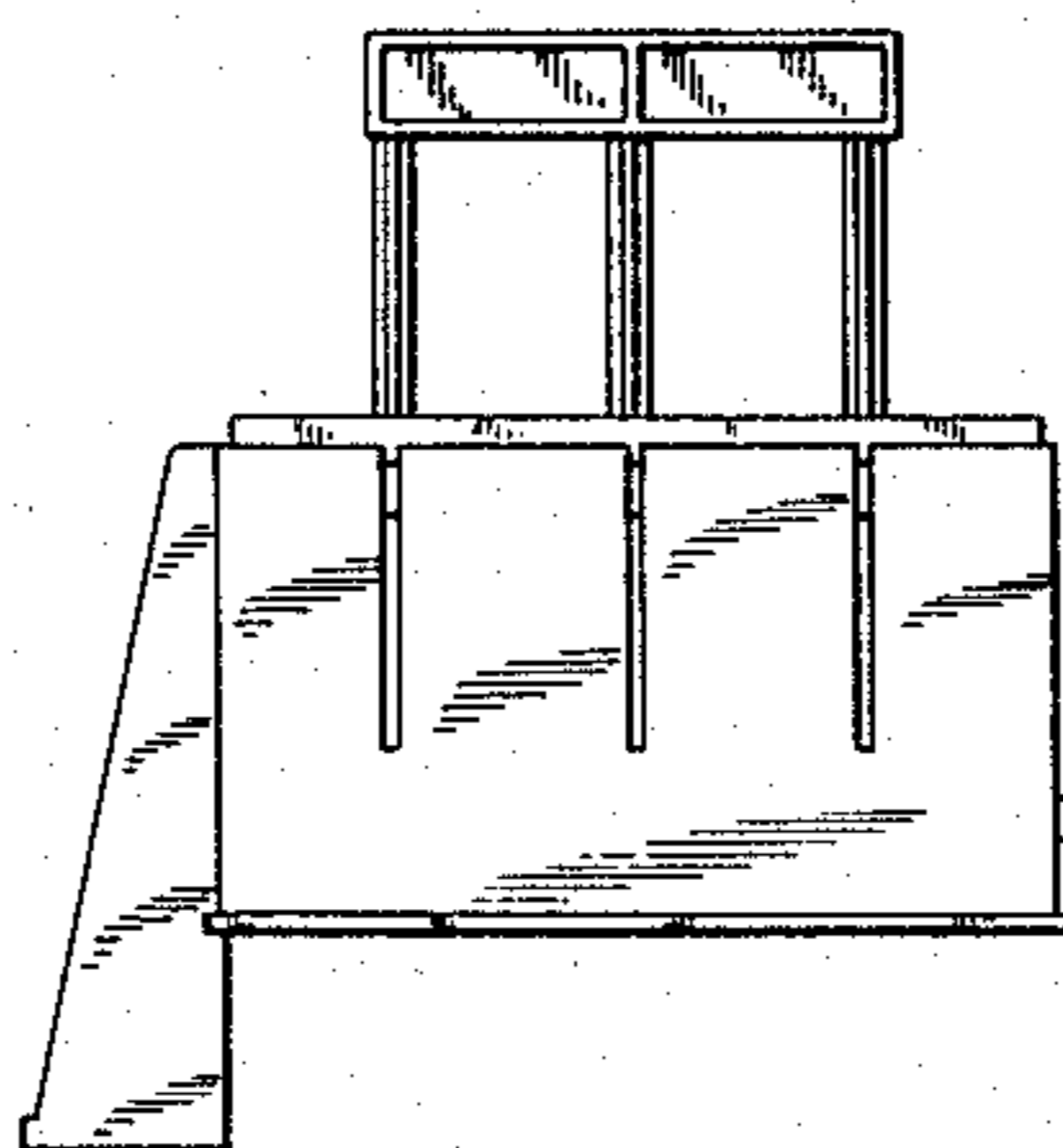
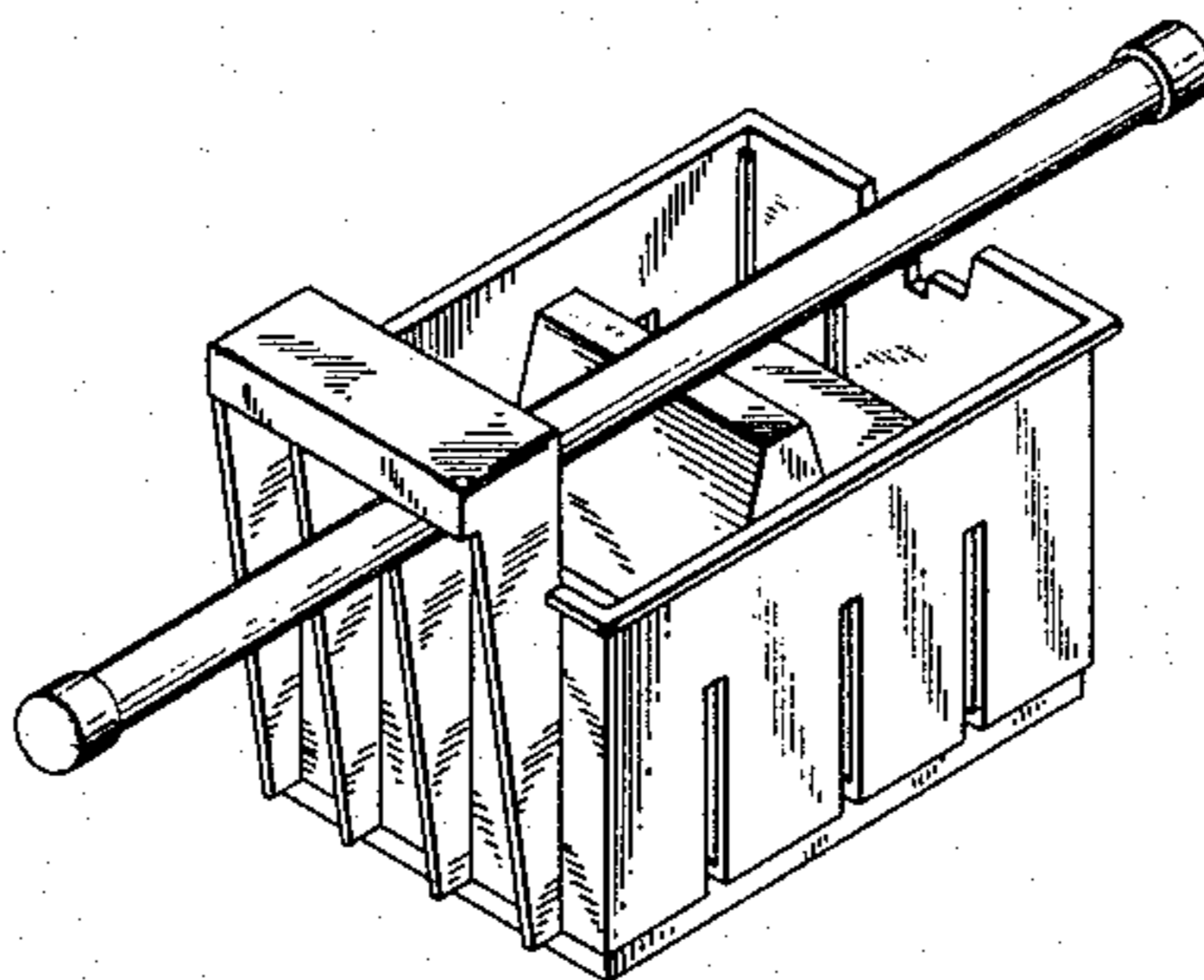


Fig. 1.

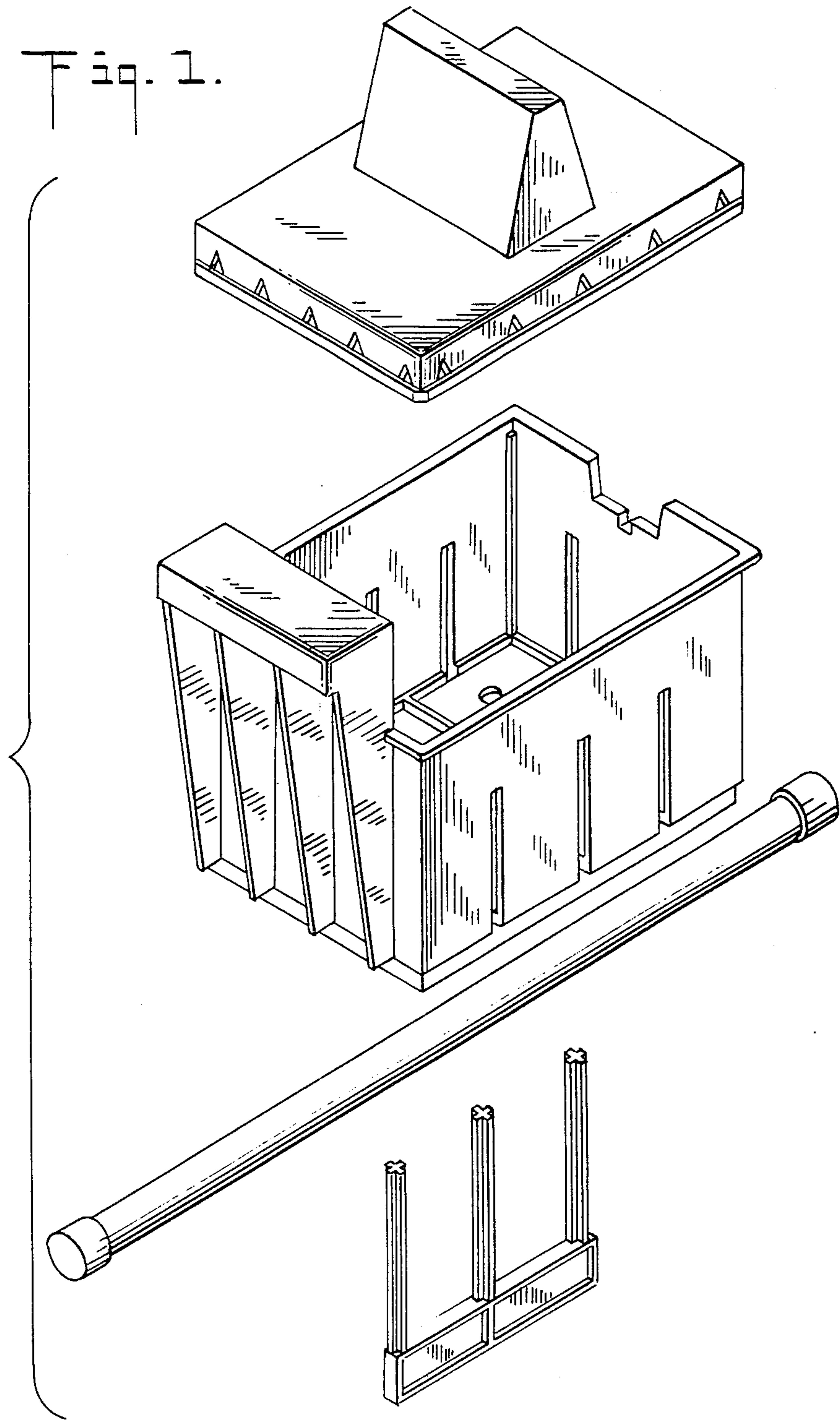


Fig. 2.

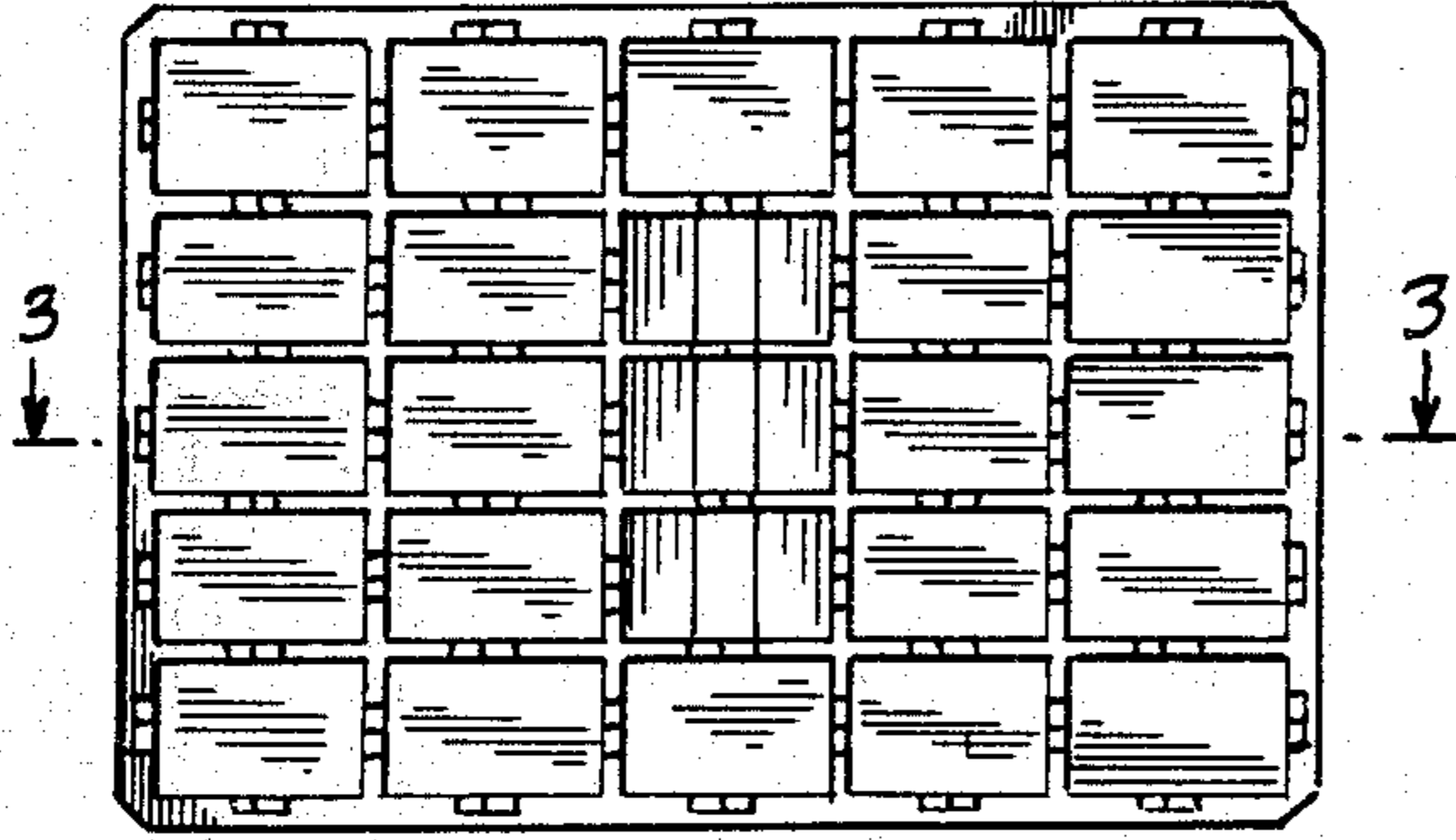


Fig. 4.

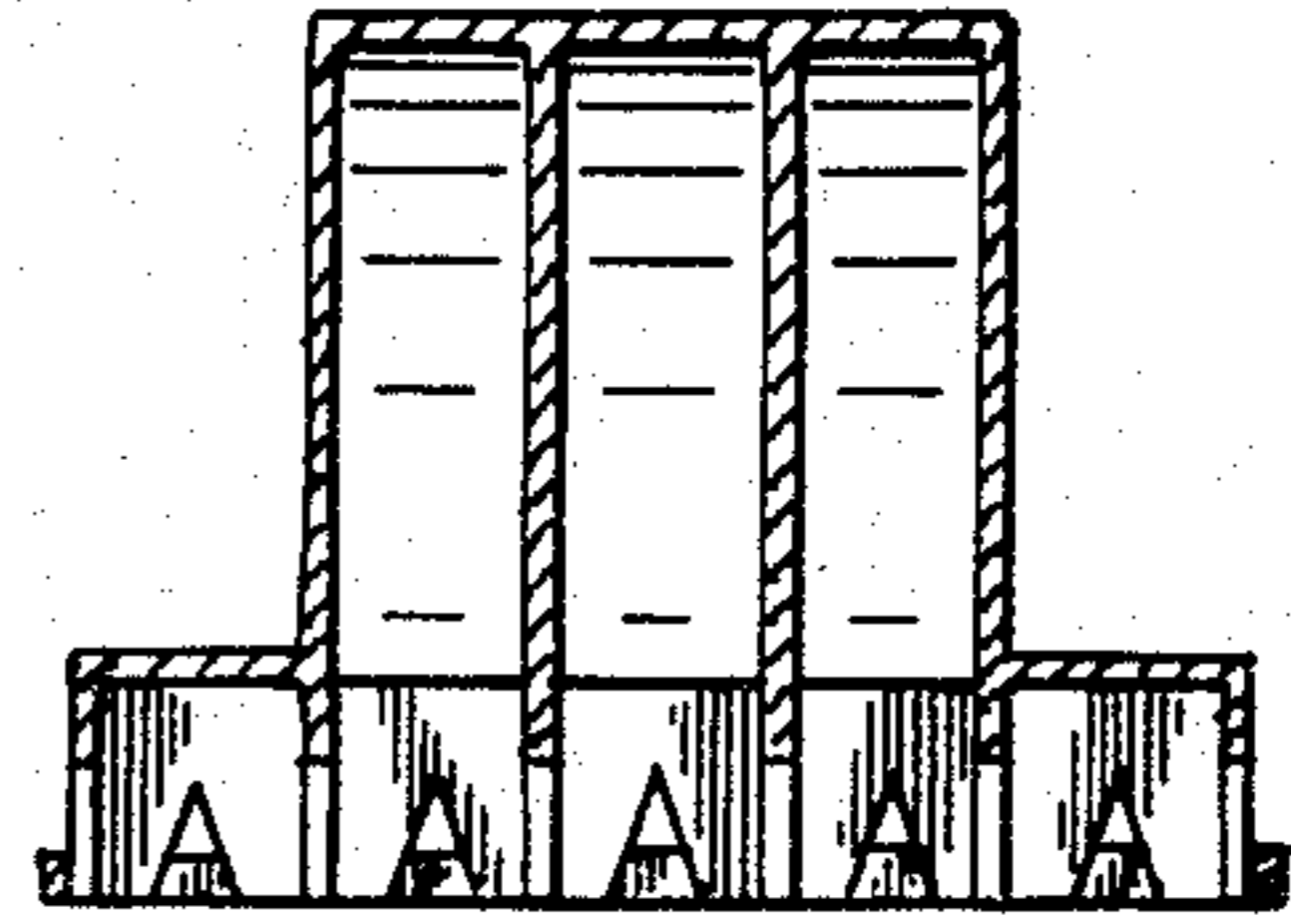


Fig. 3.

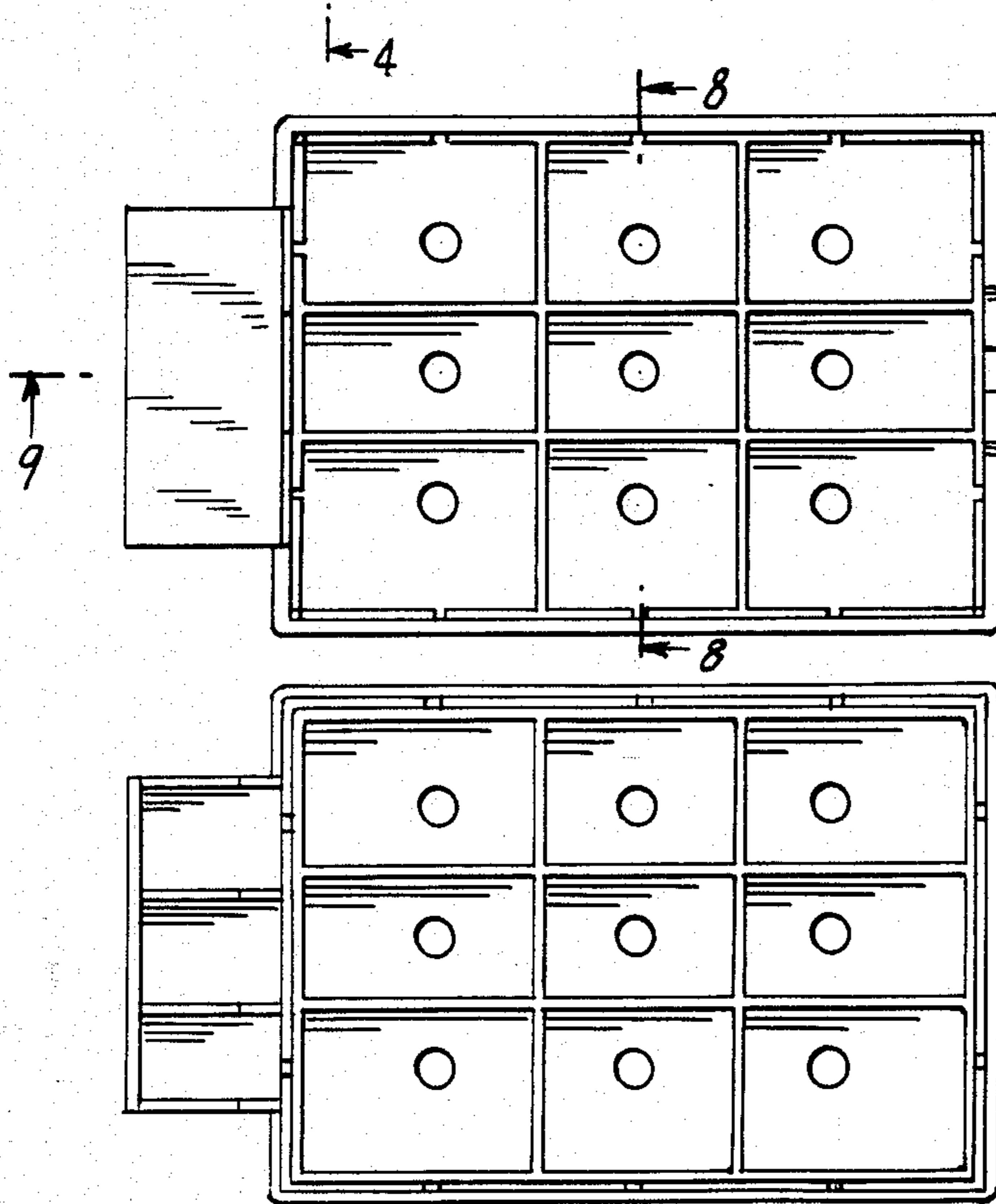
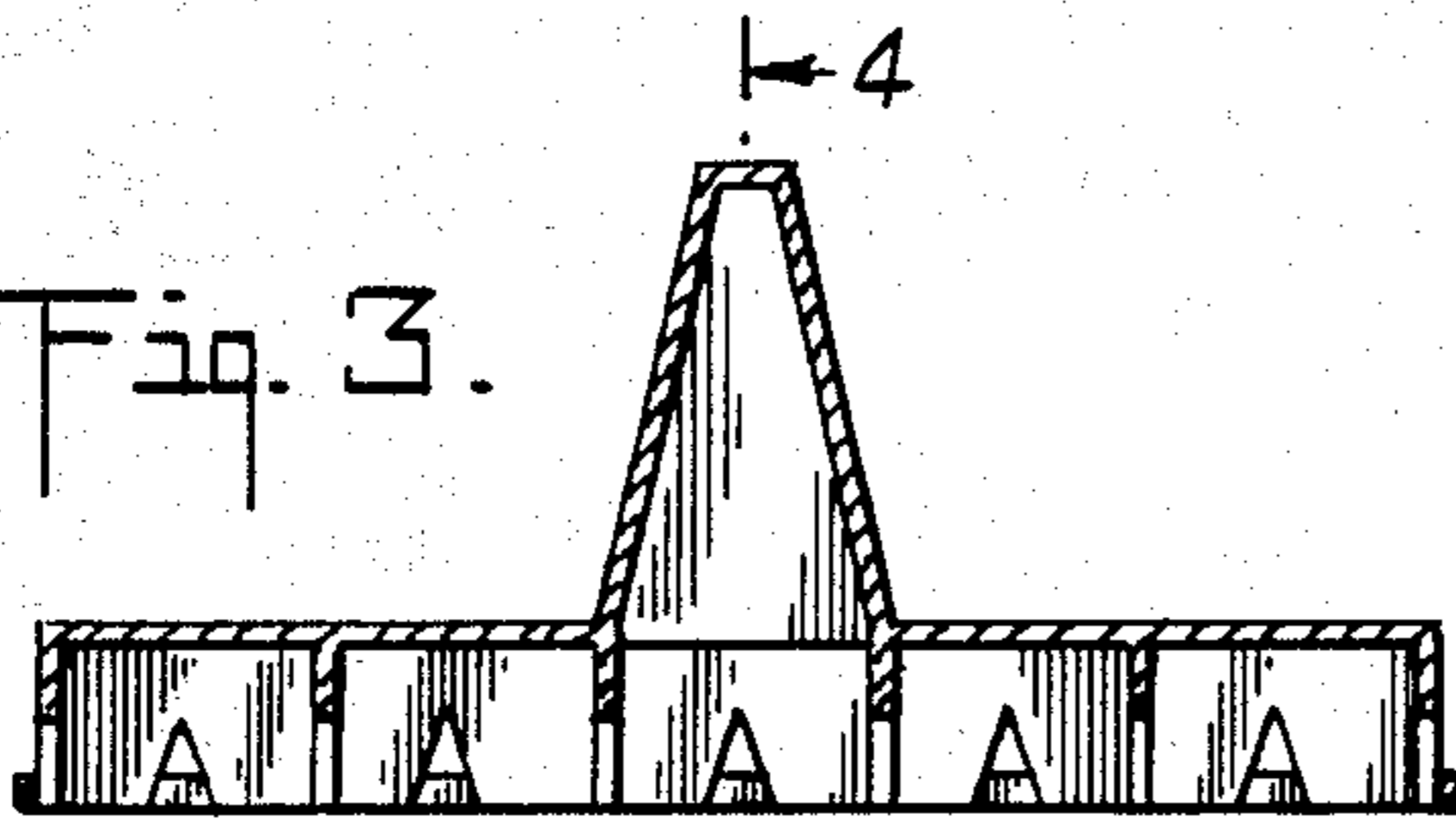


Fig. 5.

Fig. 6.

Fig. 7.

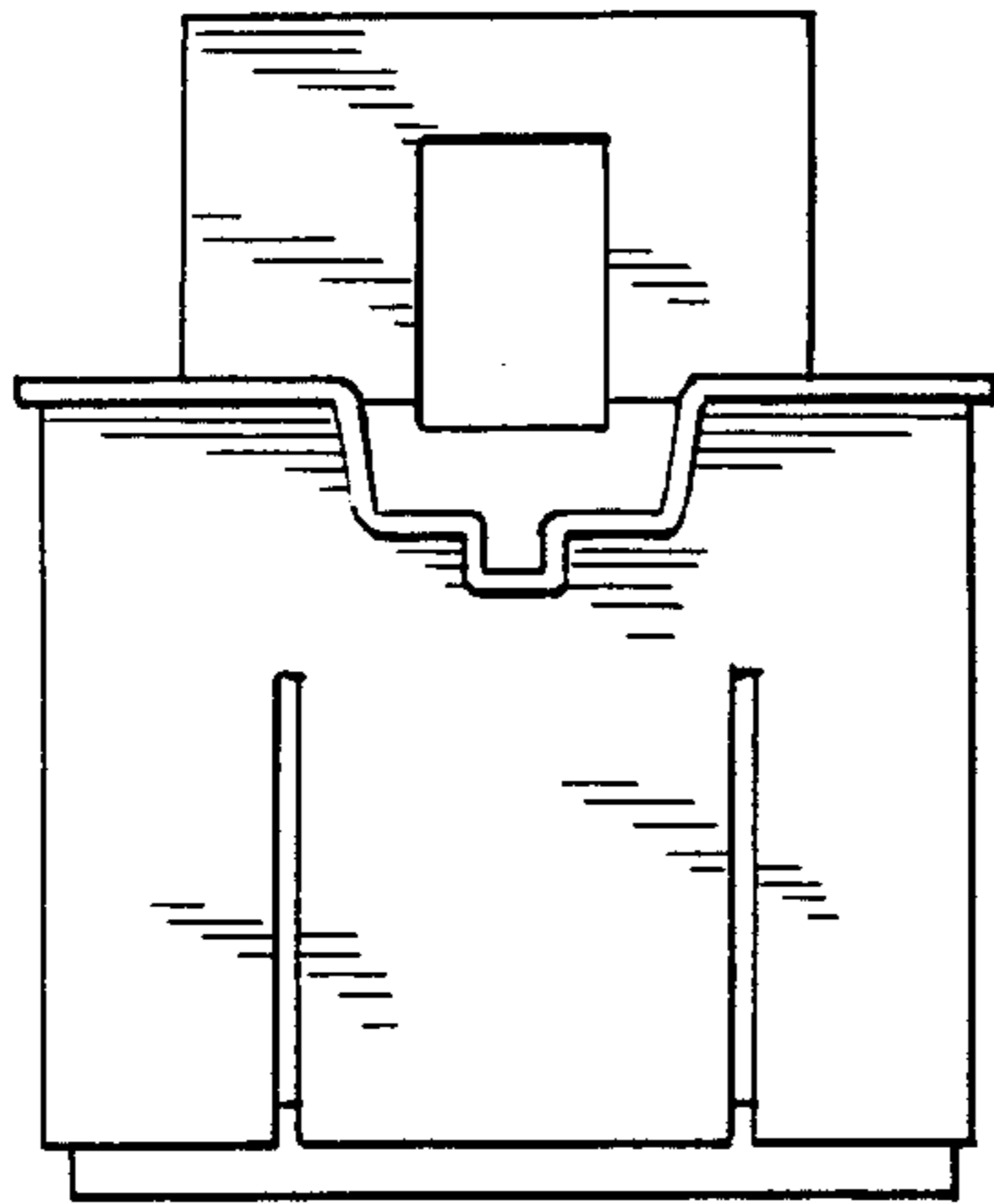


Fig. 8.

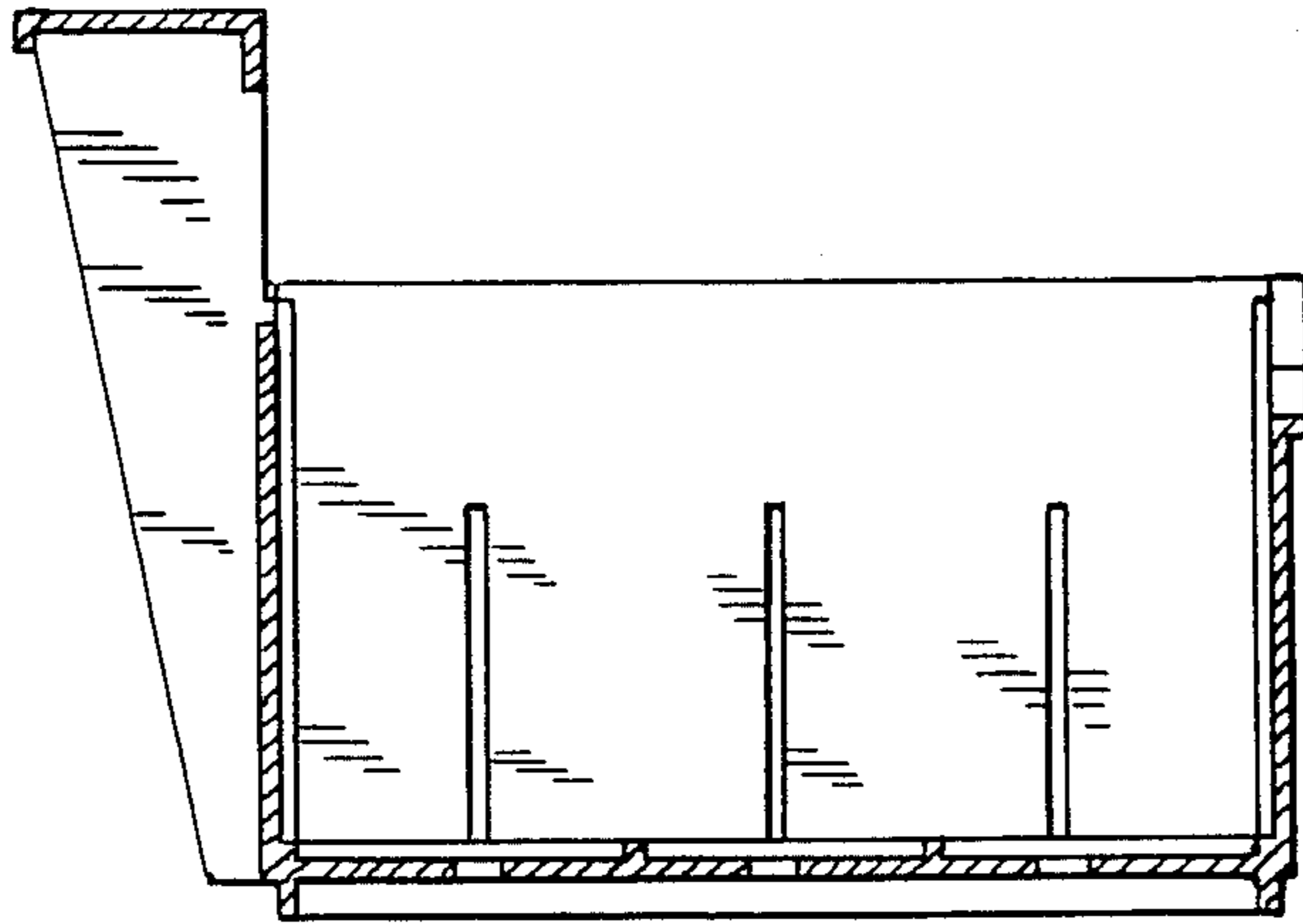
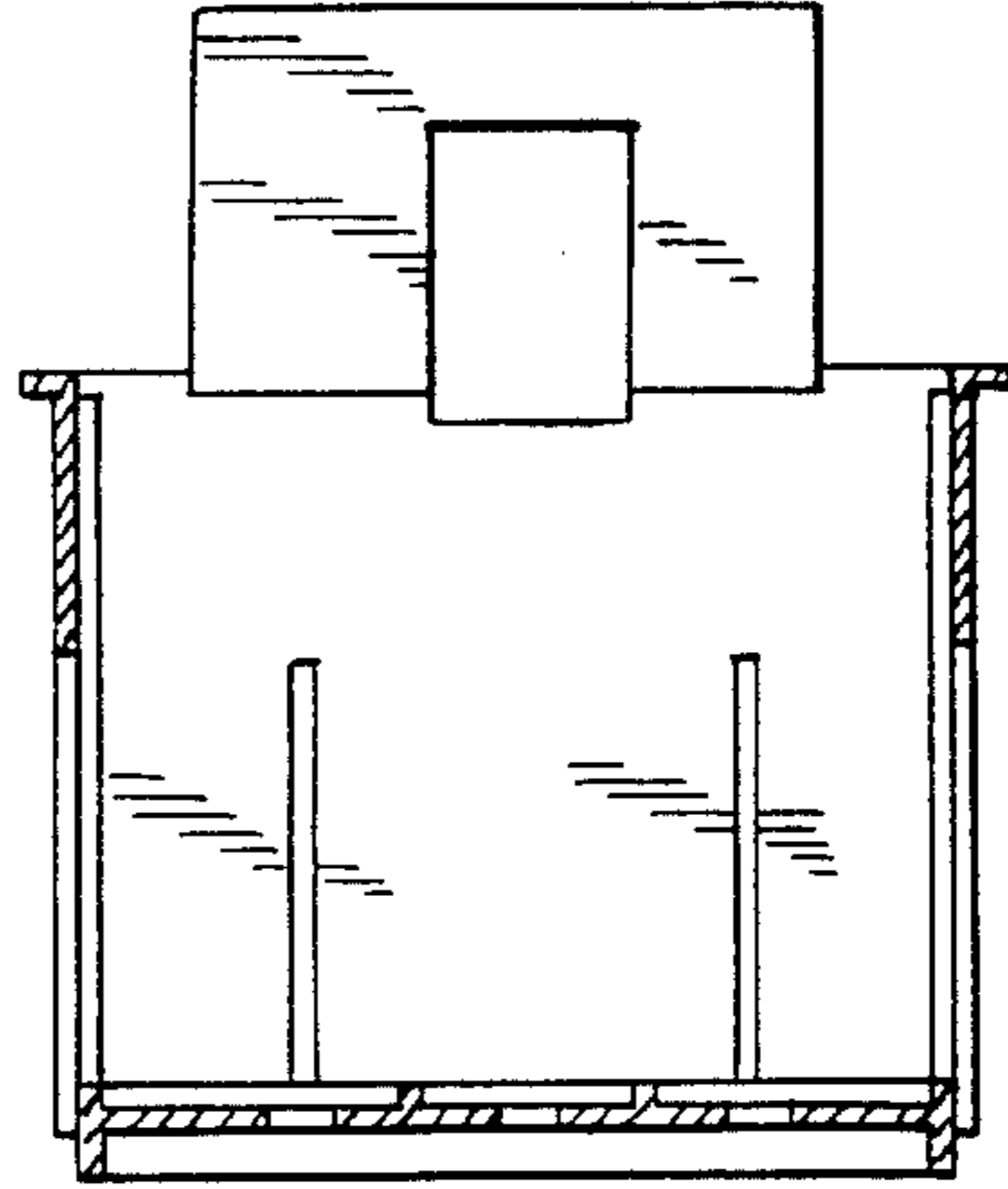
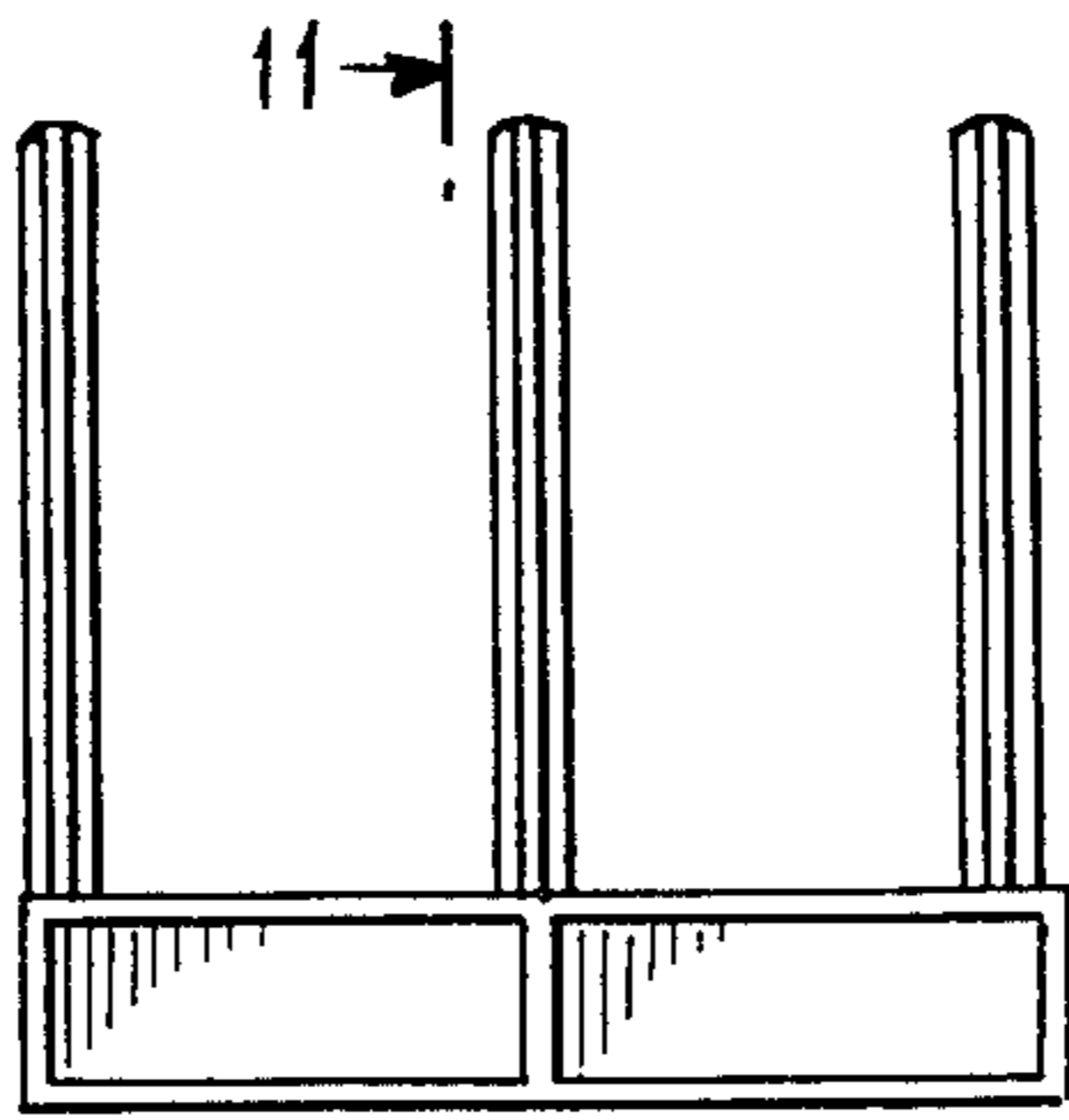


Fig. 9.



11 → Fig. 10.



Fig. 11.

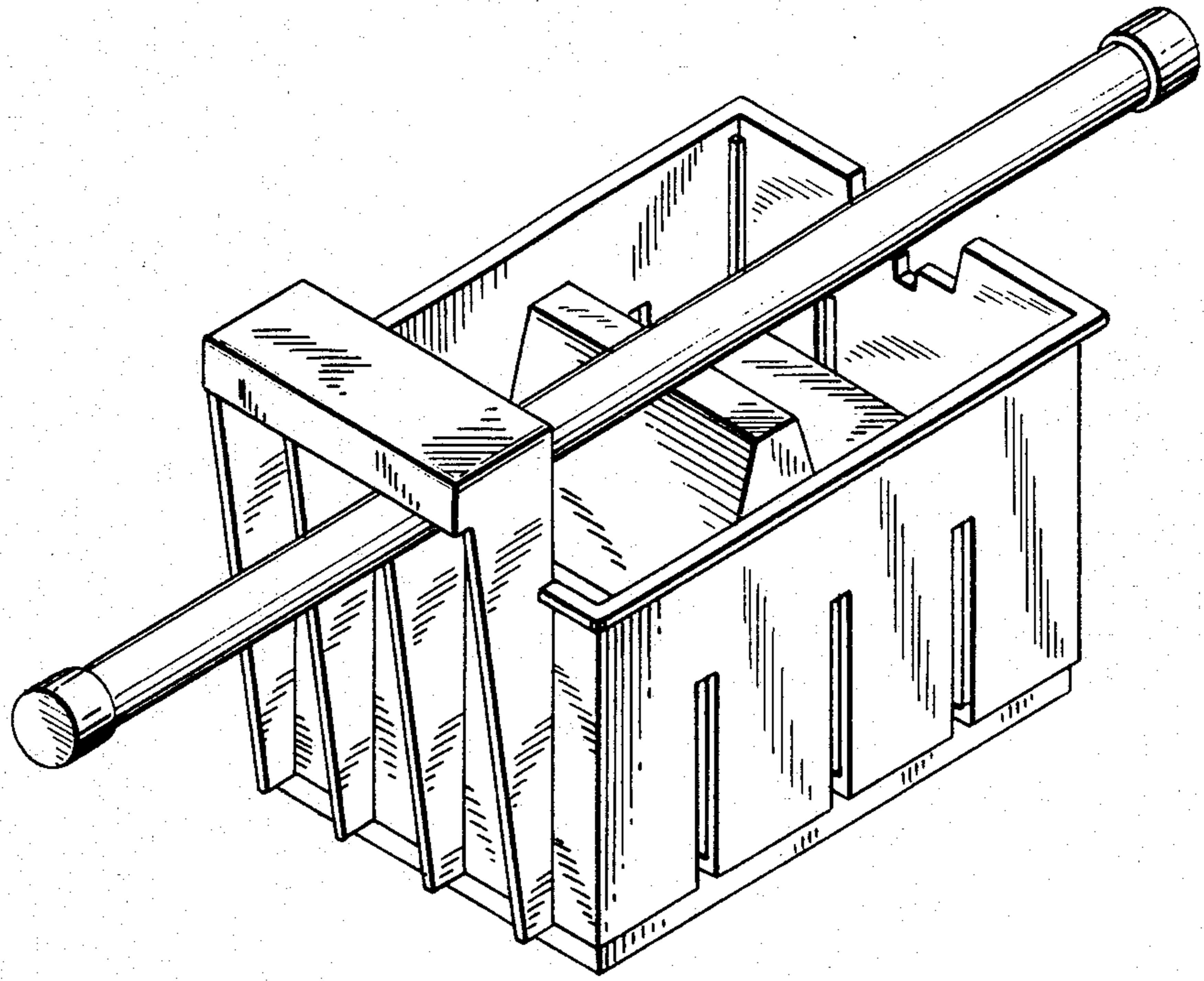


Fig. 12.

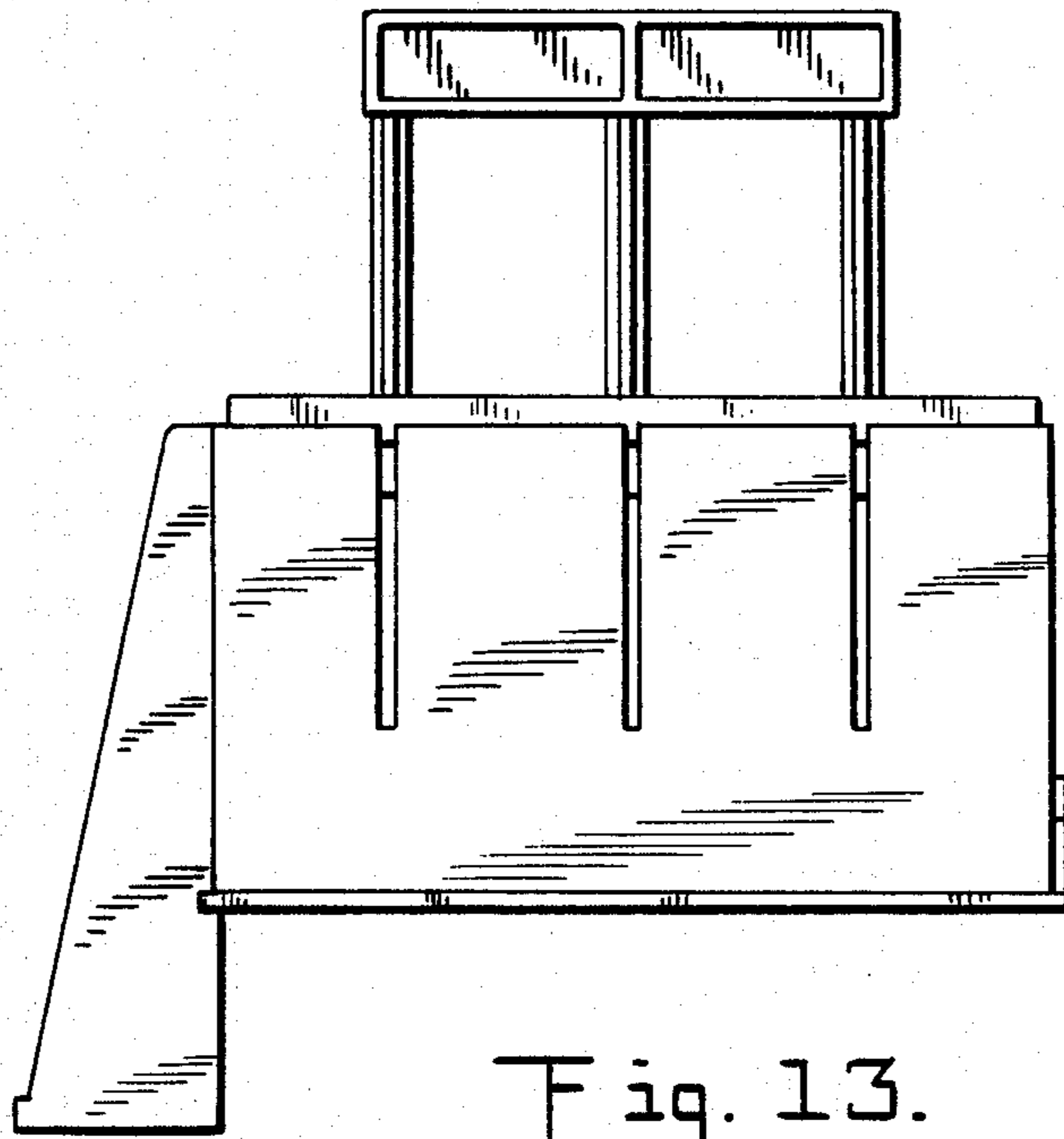


Fig. 13.