

[54] **COMBINED HEAT REDUCTION FAN AND ELAPSED OPERATION TIME INDICATOR FOR COMPUTER**

[76] **Inventor: James A. Cladek, 3521 Rachael Ave., Simi Valley, Calif. 92063**

[\*\*] **Term: 14 Years**

[21] **Appl. No.: 514,710**

[22] **Filed: Aug. 1, 1983**

[52] **U.S. Cl. .... D14/114**

[58] **Field of Search ..... D14/100, 107, 114; D23/155; D13/40, 41; D10/40; 235/61, 61 A, 102, 104; 368/1; 361/384**

[56] **References Cited**

**U.S. PATENT DOCUMENTS**

D. 191,400	9/1961	Platzman	.....	D13/41
D. 268,283	3/1983	Hicks	.....	D23/155
D. 276,320	11/1984	Thalmir	.....	D14/100
3,885,136	5/1975	Erickson	.....	235/104 X
4,383,286	5/1983	Hicks	.....	361/384

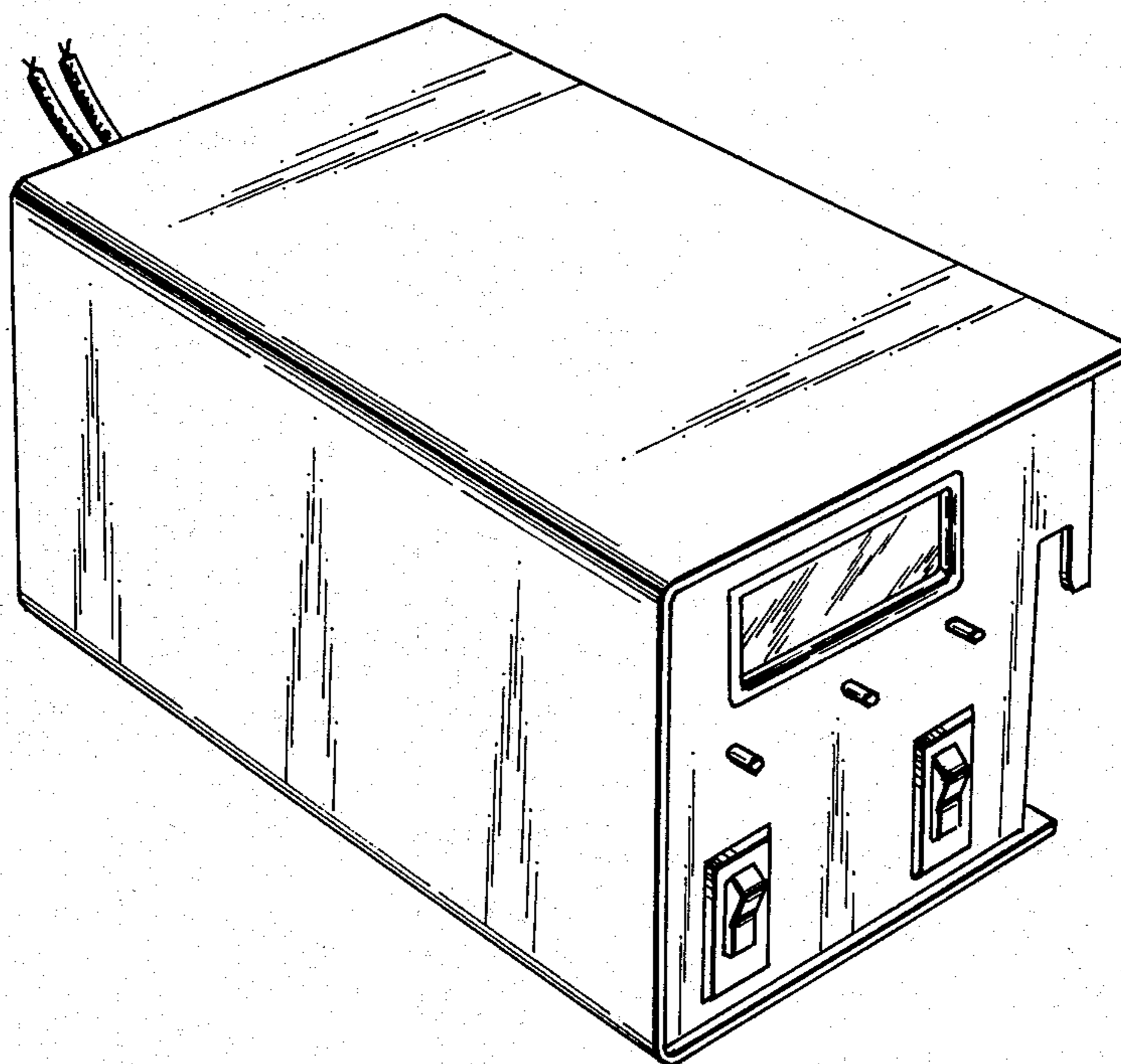
*Primary Examiner*—Susan J. Lucas

[57] **CLAIM**

The ornamental design for a combined heat reduction fan and elapsed operation time indicator for computer, substantially as shown.

**DESCRIPTION**

FIG. 1 is a front, right side perspective view of a combined heat reduction fan and elapsed operation time indicator for computer showing my new design; FIG. 2 is a rear, left side perspective view thereof.



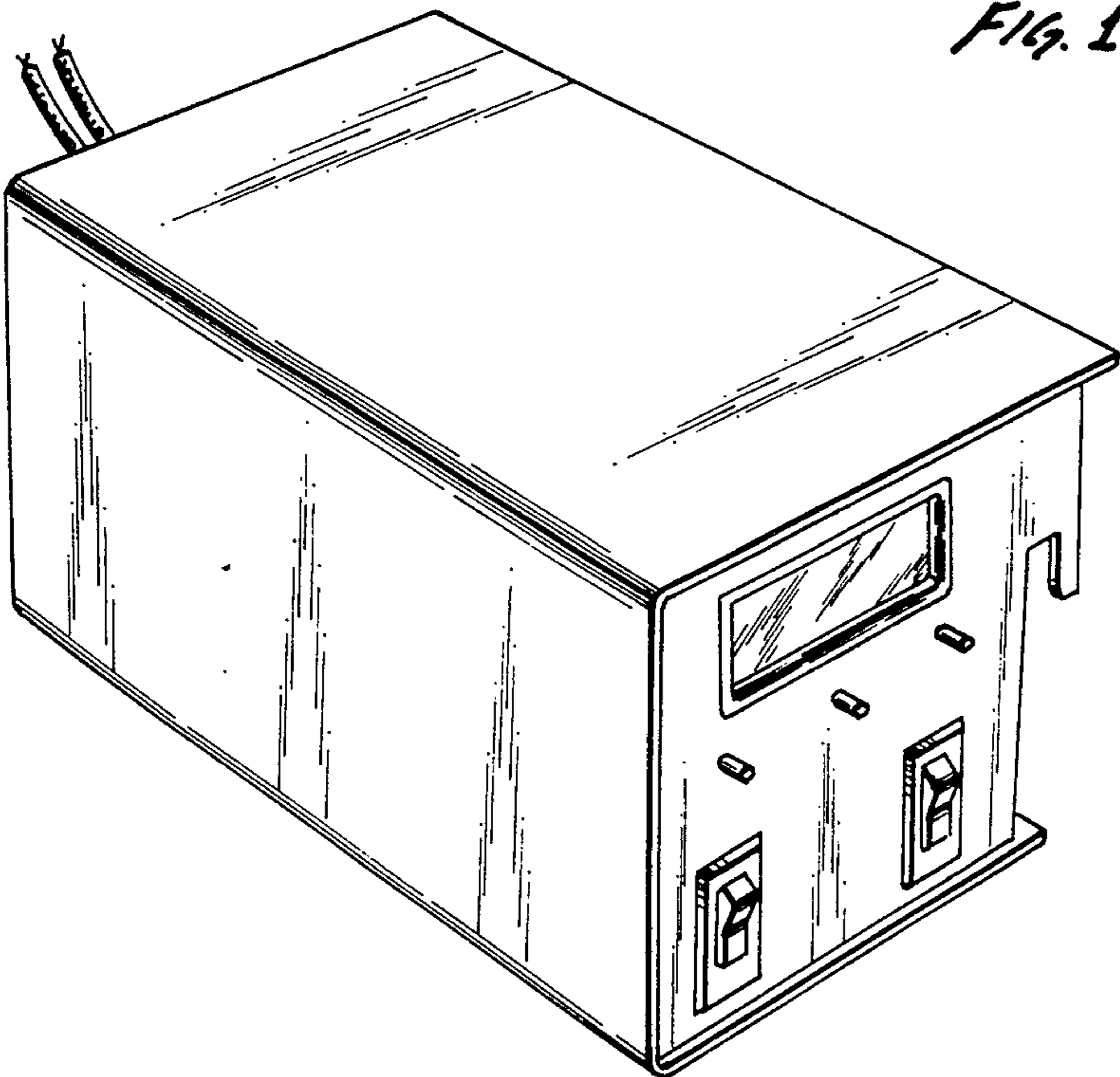


FIG. 2

