

[54] **SATELLITE DISH ANTENNA SUPPORT RIB**

[75] **Inventors: John R. Winegard, Evergreen; Keith B. Cowan, Arvada, both of Colo.**

[73] **Assignee: Winegard Company, Burlington, Iowa**

[**] **Term: 14 Years**

[21] **Appl. No.: 569,831**

[22] **Filed: Jan. 11, 1984**

[52] **U.S. Cl. D14/90; D25/74**

[58] **Field of Search D14/86, 90, 91; 343/840, 912, 880, 881, 882; D25/74**

[56] **References Cited**

U.S. PATENT DOCUMENTS

- D. 221,529 8/1971 Kimmel D25/74
- D. 266,953 11/1982 Goldhaber D25/74
- D. 271,423 11/1983 Sundeby et al. D25/74 X

Primary Examiner—Nelson C. Holtje

Assistant Examiner—Theodore M. Shooman

Attorney, Agent, or Firm—Robert C. Dorr

[57] **CLAIM**

The ornamental design for a satellite dish antenna support rib, as shown and described.

DESCRIPTION

FIG. 1 is a top and front perspective view of a satellite dish antenna support rib showing our new design; FIG. 2 is an enlarged top and front perspective view thereof;

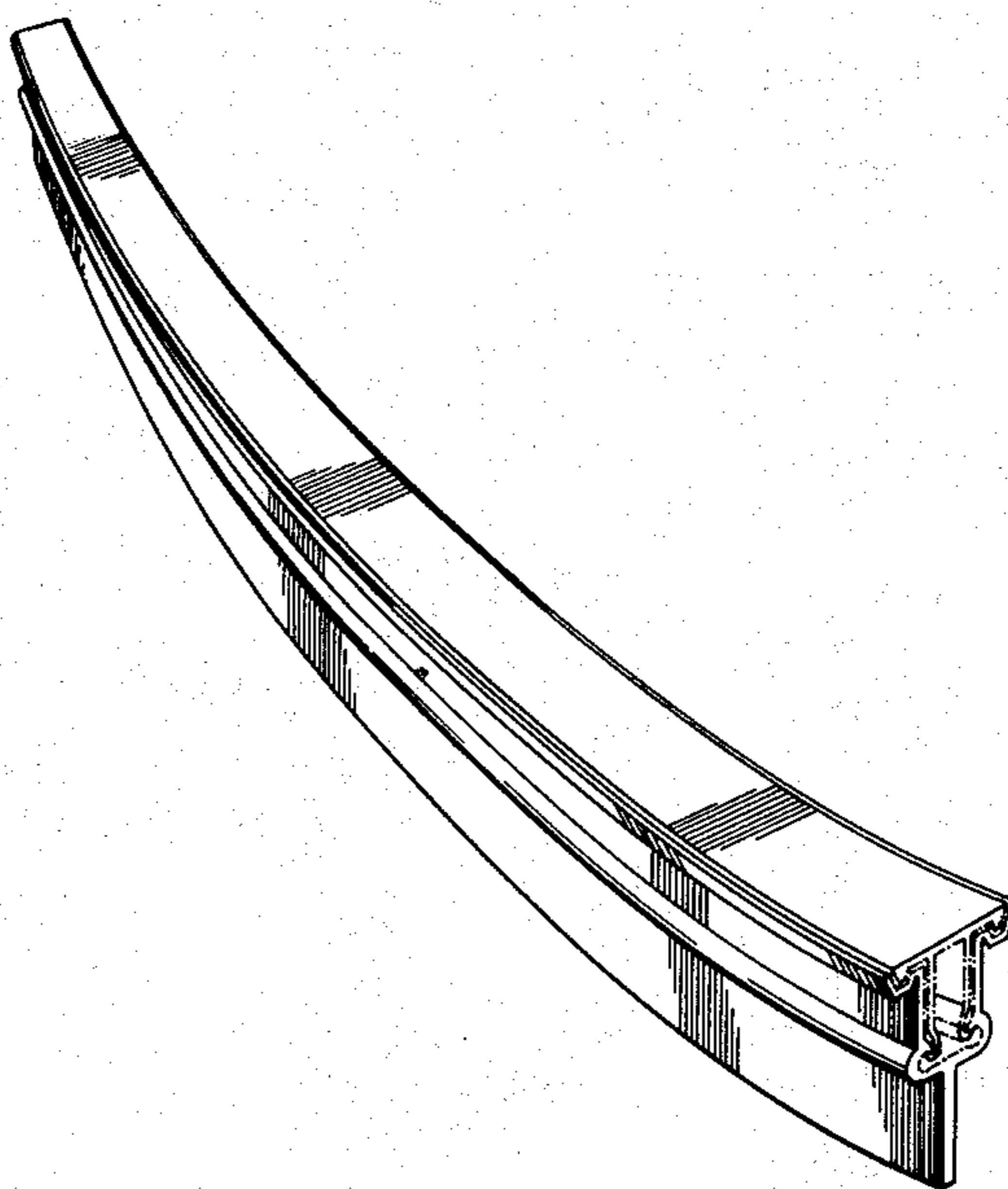
FIG. 3 is an enlarged top plan view thereof;

FIG. 4 is an enlarged front elevational view thereof, the rear elevational view is a mirror image;

FIG. 5 is an enlarged side elevational view thereof, the opposite side elevational view is a mirror image; and FIG. 6 is an enlarged bottom plan view thereof.

The satellite dish antenna support rib shown in FIGS. 2, 3, 4 and 6 is broken away to indicate indeterminate length.

The broken line showing of the internal structure is for illustrative purposes only and forms no part of the claimed design.



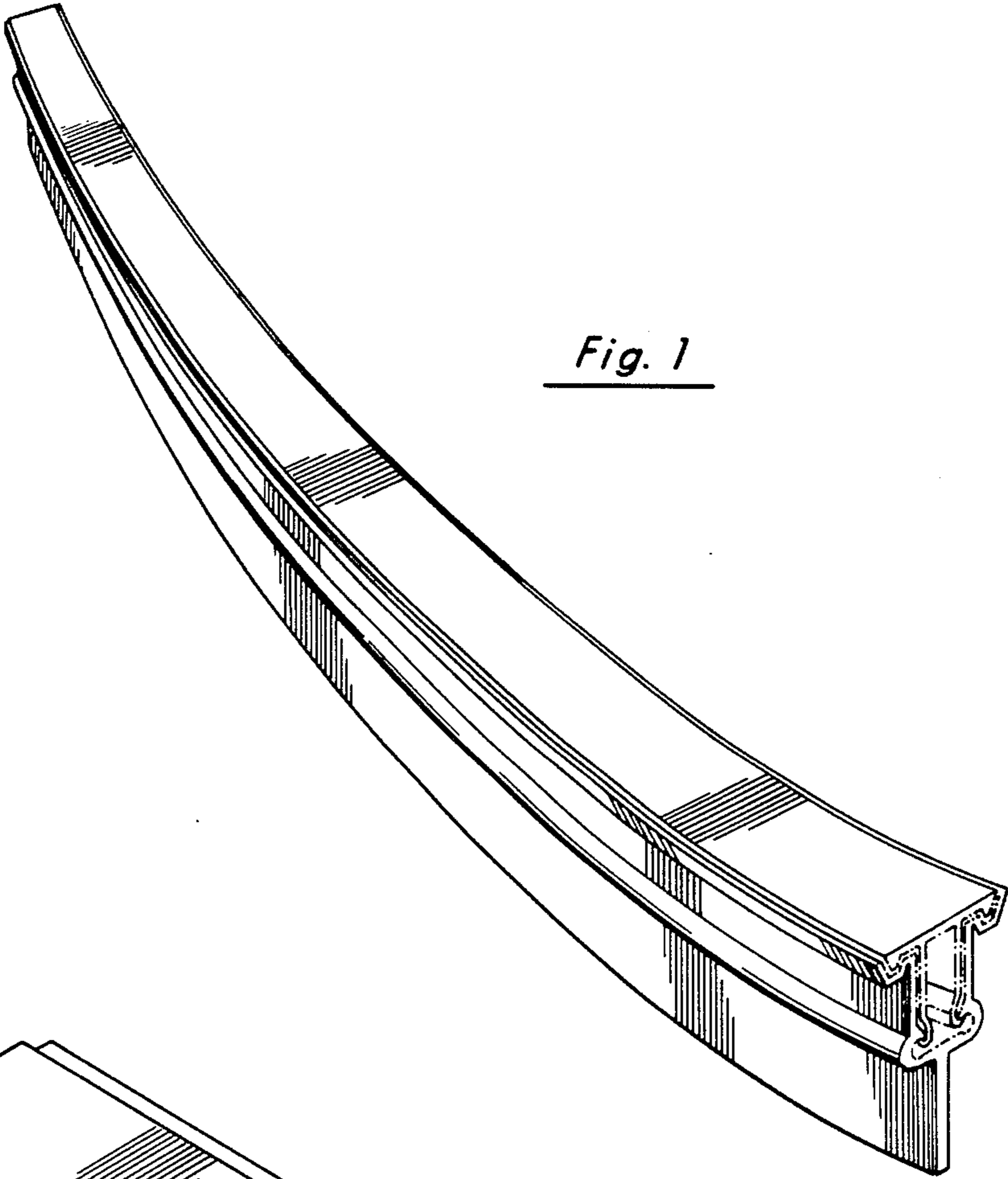


Fig. 1

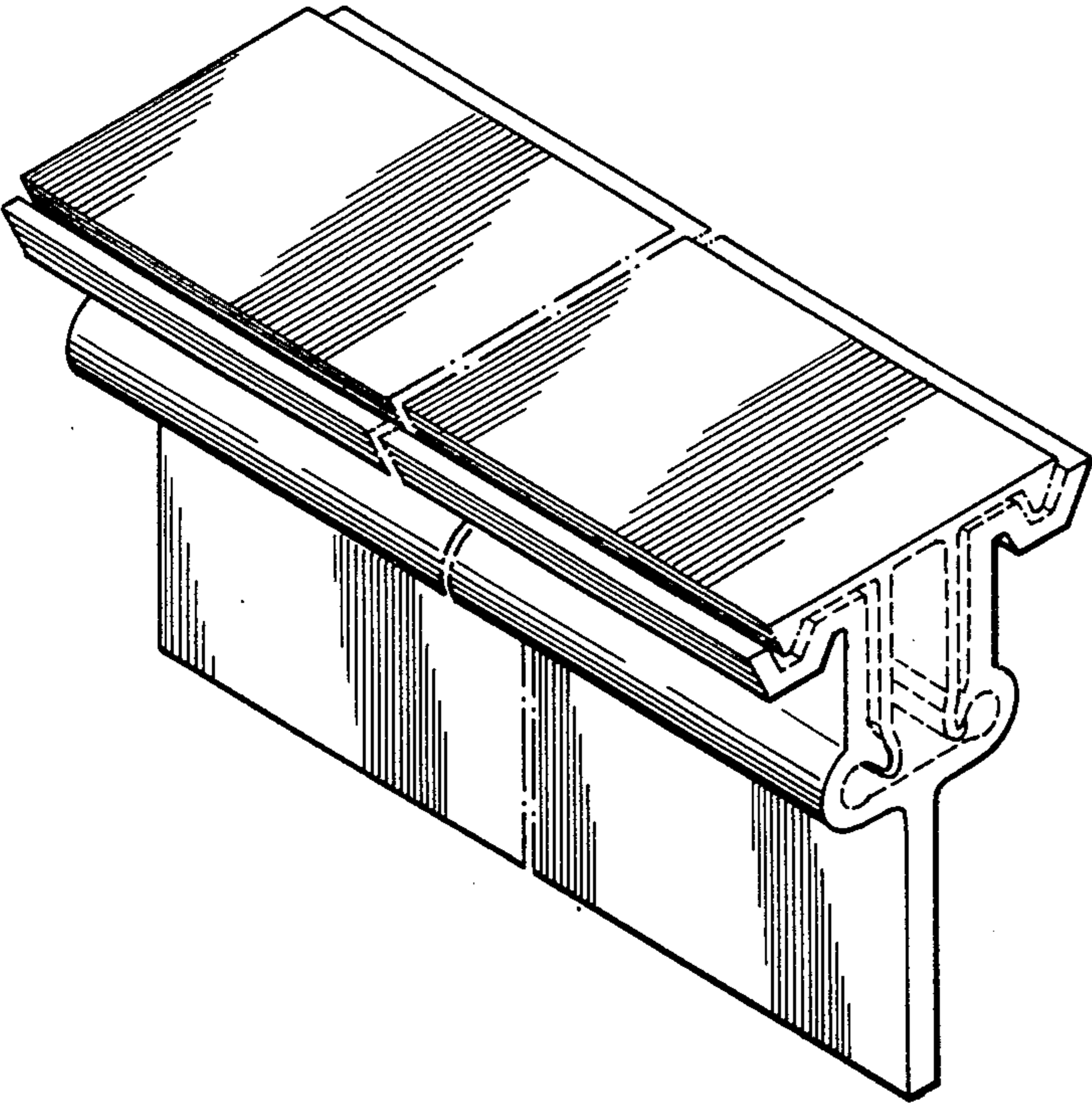


Fig. 2

Fig. 3

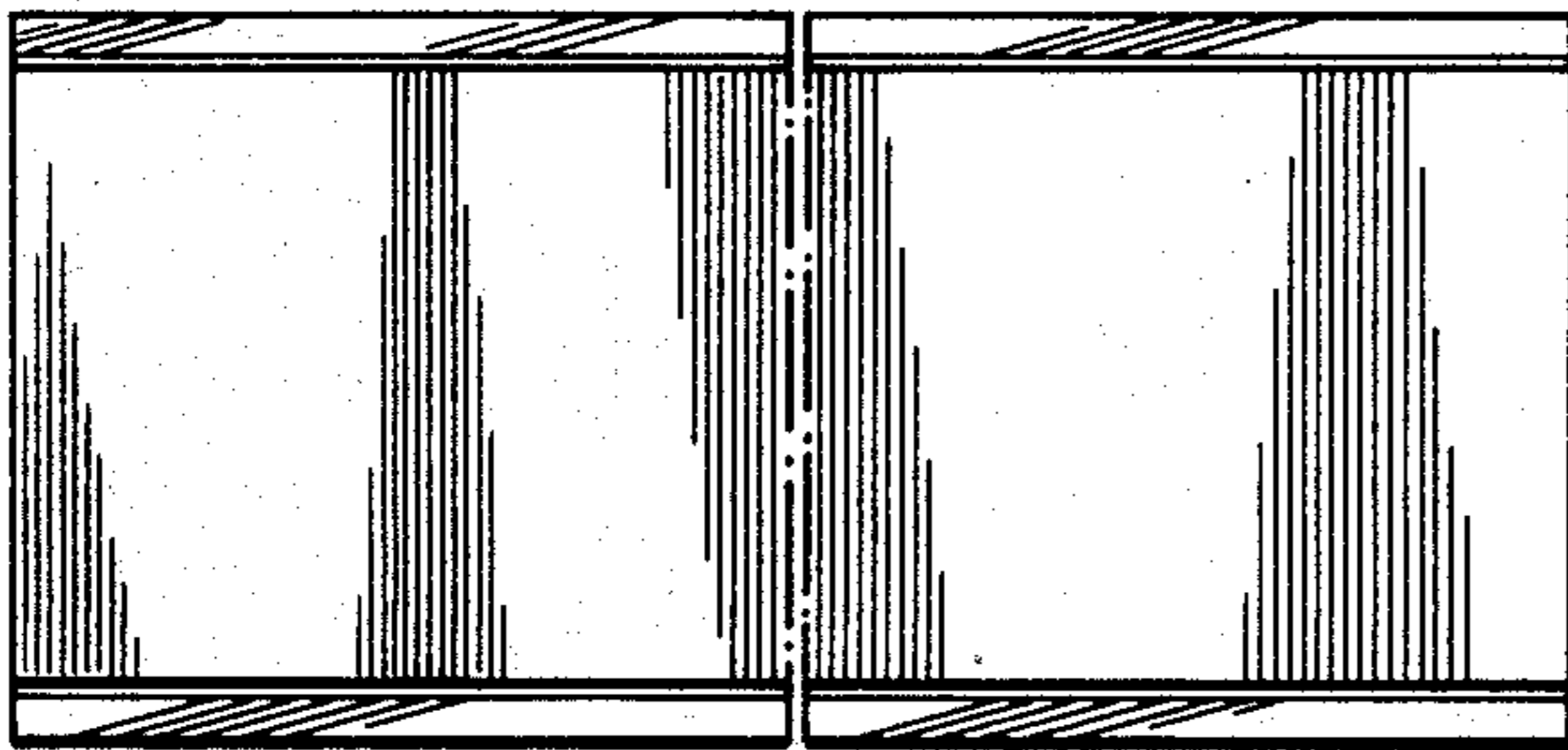


Fig. 4

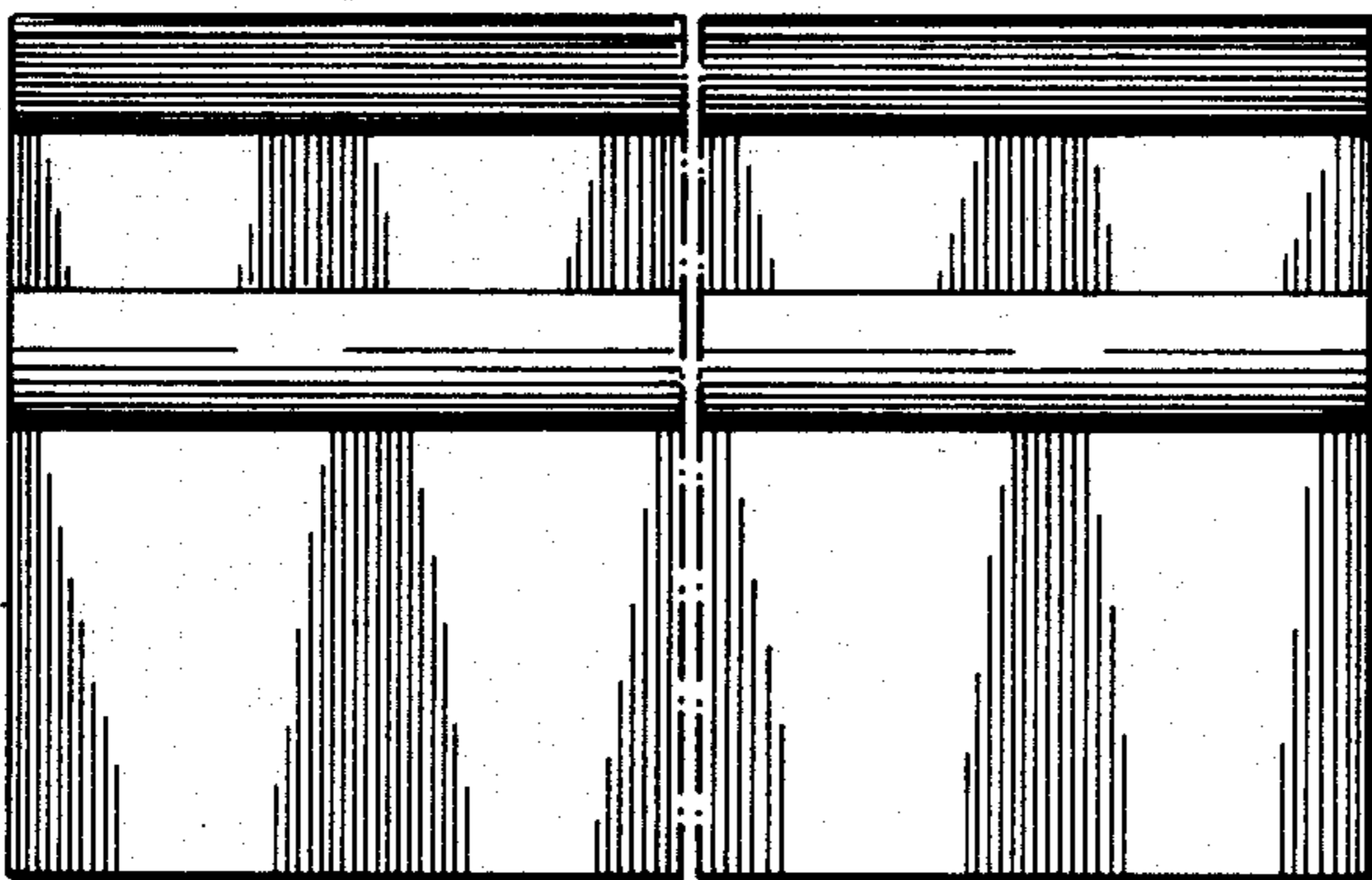


Fig. 5

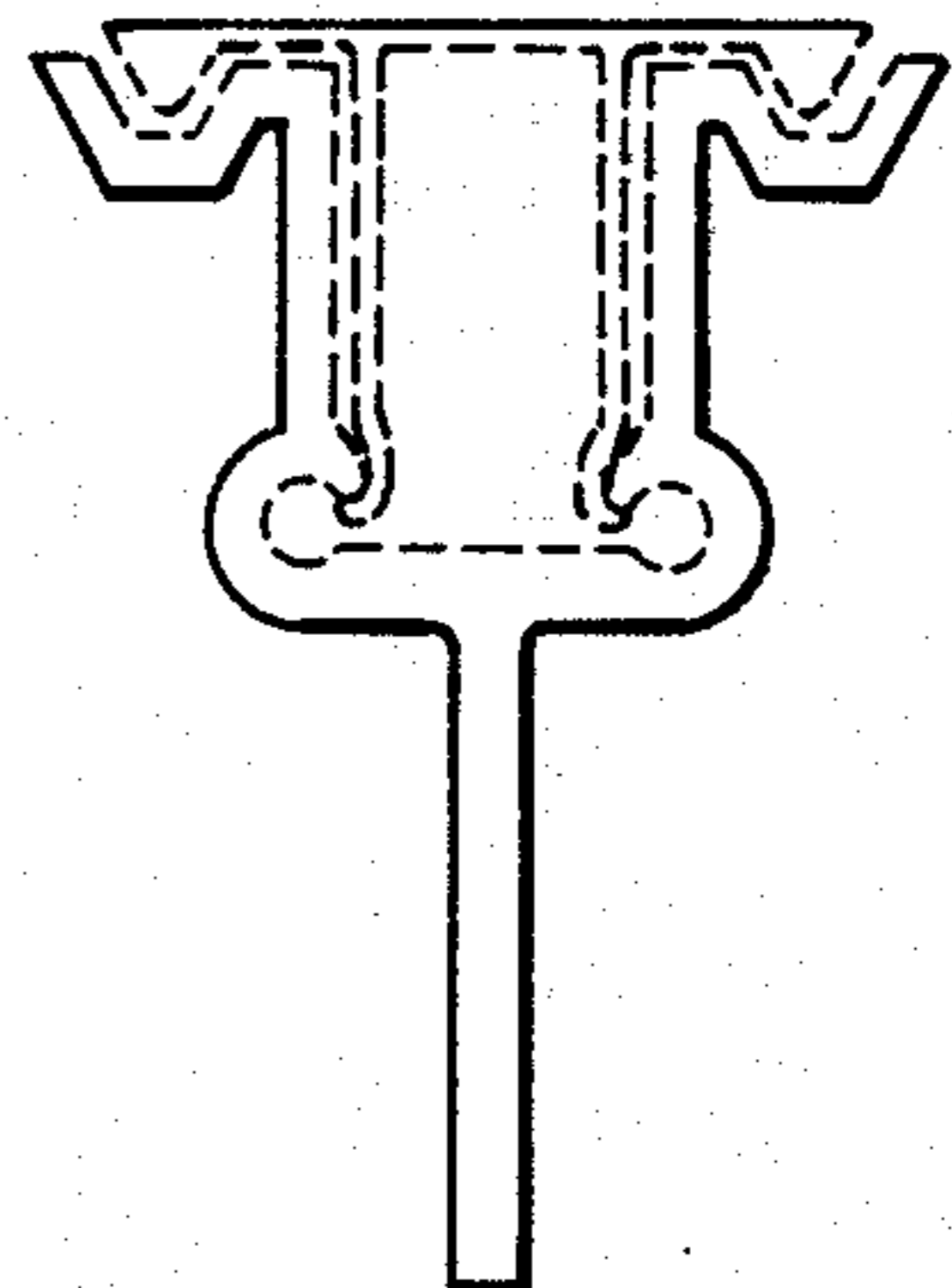


Fig. 6

