

[54] MOBILE TELEPHONE ASSEMBLY INCLUDING HANDSET, CRADLE AND MOUNTING

[75] Inventor: James Karlin, Fairport, N.Y.

[73] Assignee: Walker Telecommunications Corporation, Hauppauge, N.Y.

[**] Term: 14 Years

[21] Appl. No.: 605,413

[22] Filed: Apr. 30, 1984

[52] U.S. Cl. D14/53; D14/52; D14/59; D14/60; D14/64; D14/65; 179/179; 179/146 R

[58] Field of Search D14/53, 52, 58, 56, D14/60, 63, 65; 179/179, 100 R, 100 D, 100 C, 100 L, 101, 178, 146 R, 103

[56] References Cited

U.S. PATENT DOCUMENTS

D. 270,835	10/1983	Taylor	D14/64
D. 273,784	5/1984	Shibayama	D14/56
D. 277,164	1/1985	Bevilacqua	D14/60
D. 278,626	4/1985	Takagi et al.	D14/64
D. 280,895	10/1985	Kao	D14/53
853,118	5/1907	Richey	D14/65 UX
1,304,718	5/1919	Townsend	D14/65
2,521,043	9/1950	Citso	248/181
3,489,383	1/1970	Anson	248/181
3,625,553	12/1971	Mattioli	248/181
4,196,319	4/1980	Gates	179/146 R

OTHER PUBLICATIONS

Washington Post, 4-4-73; Motorola "DYNA T-A-C" Portable Telephone.

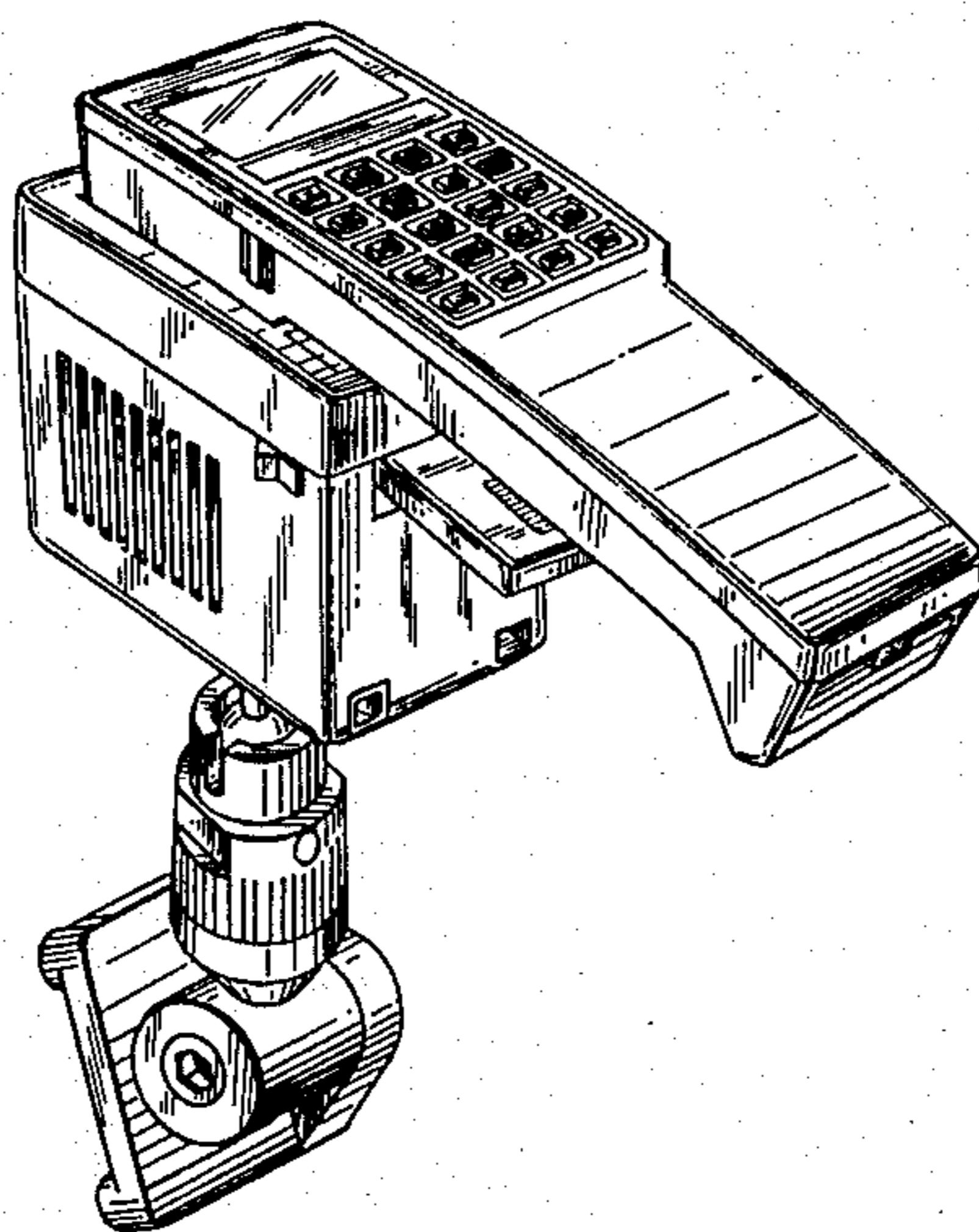
Primary Examiner—Wallace R. Burke
Assistant Examiner—Horace B. Fay
Attorney, Agent, or Firm—Hopgood, Calimafde, Kalil, Blaustein & Judlowe

[57] CLAIM

The ornamental design for a mobile telephone assembly including handset, cradle and mounting, as shown and described in the drawings.

DESCRIPTION

FIG. 1 is a left side, top and partial front perspective view of a mobile telephone assembly including handset, cradle and mounting showing my new design; FIG. 2 is a rear elevational view thereof; FIG. 3 is a front elevational view thereof; FIG. 4 is a right side elevational view thereof; FIG. 5 is a top plan view of the handset; FIG. 6 is a left side elevational view of FIG. 5; FIG. 7 is a right side elevational view of FIG. 5; FIG. 8 is a top plan view of the cradle shown separately; and FIG. 9 is a top plan view of the mounting shown separately. For ease of illustration and clarity of representation, the handset, cradle and mounting are shown separately in FIGS. 5-9.



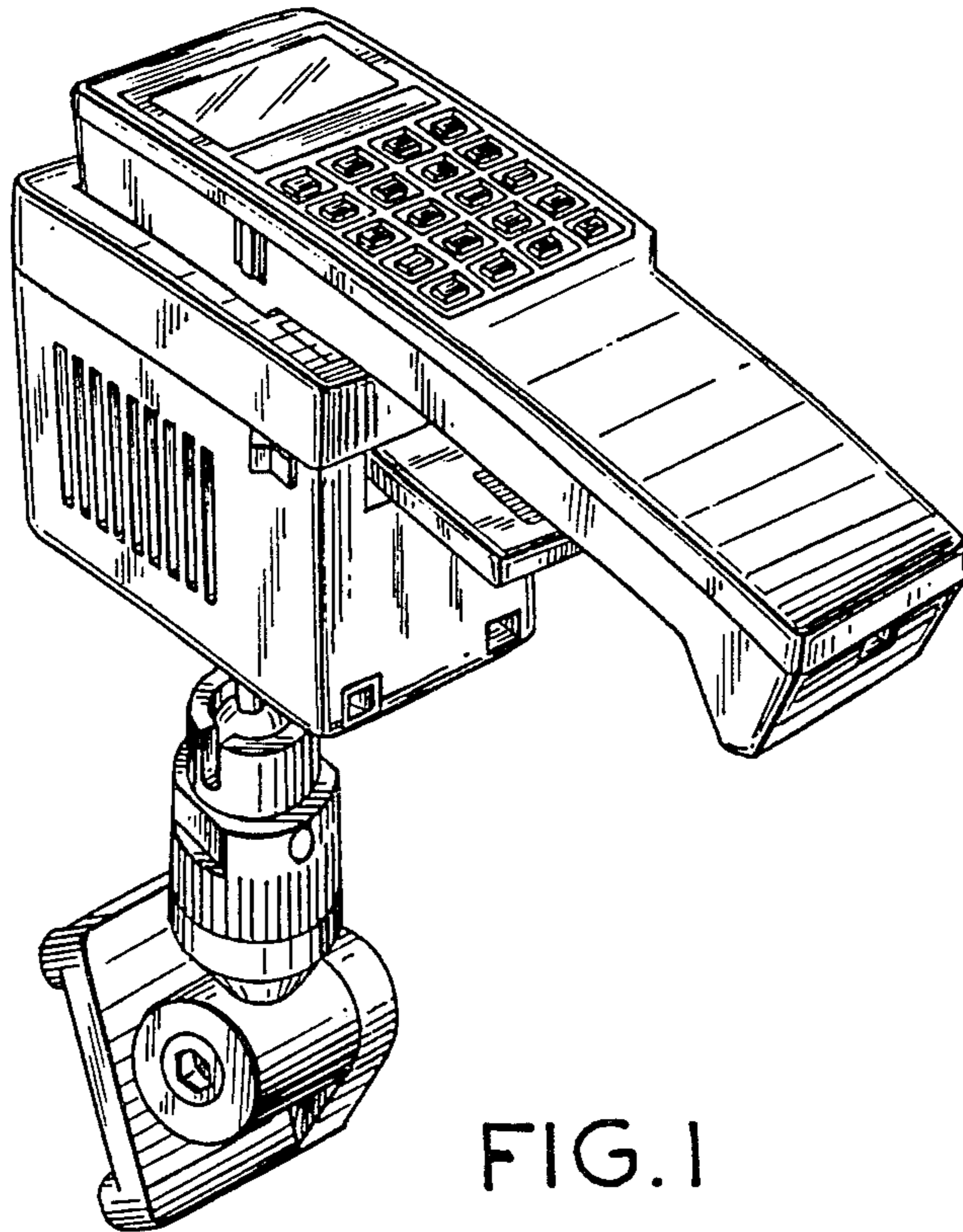


FIG. 1

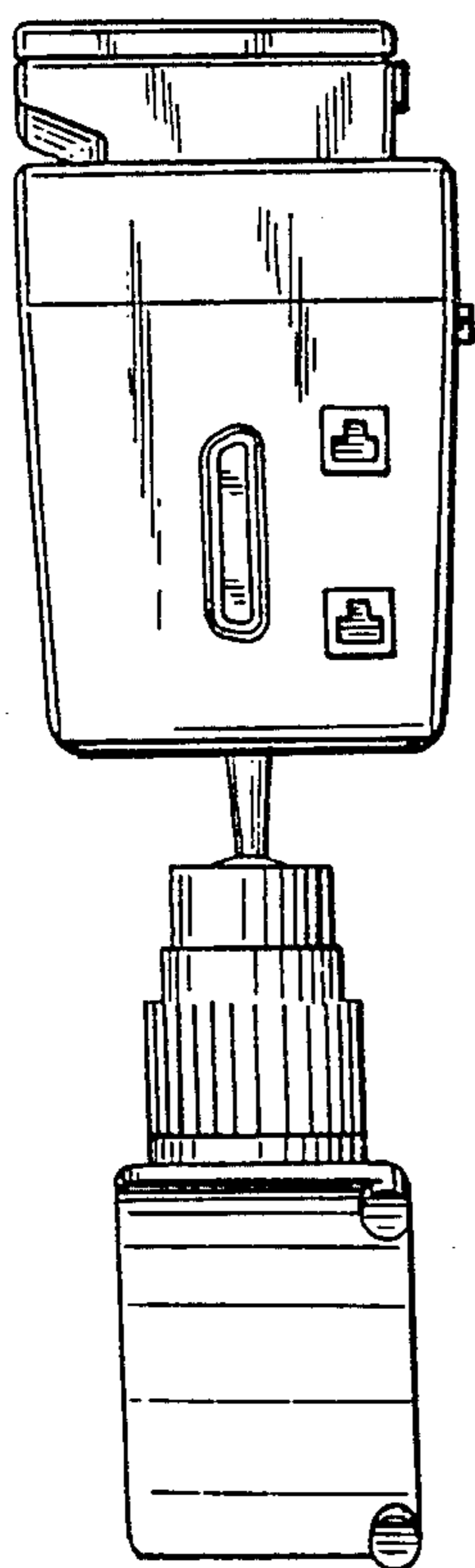


FIG. 2

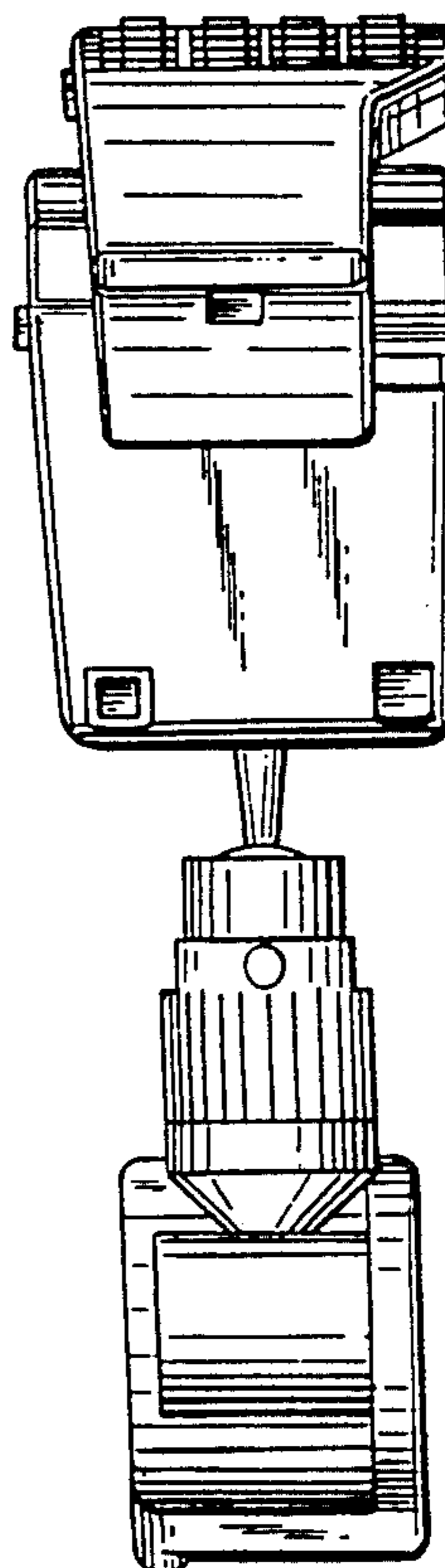


FIG. 3

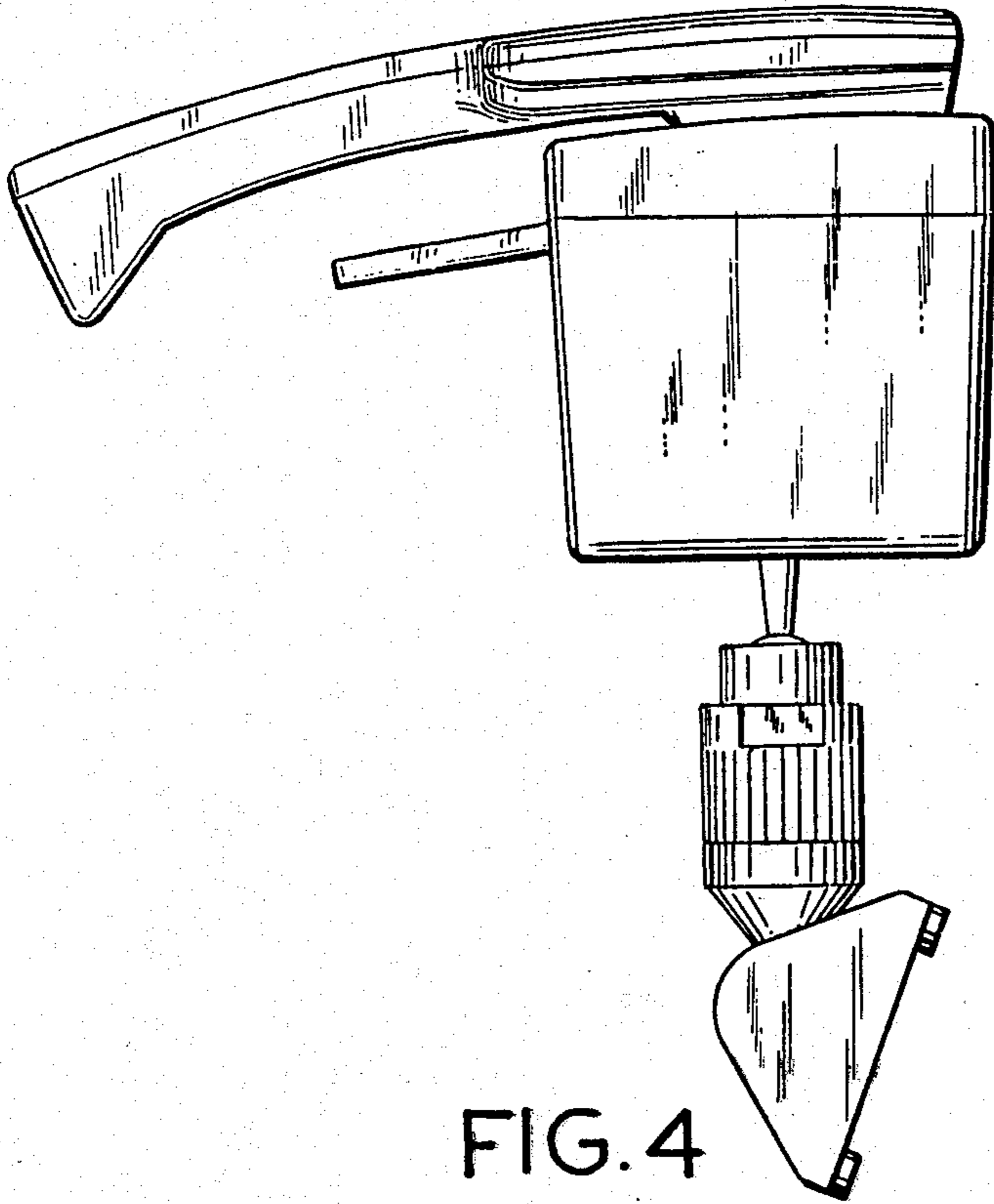


FIG. 4

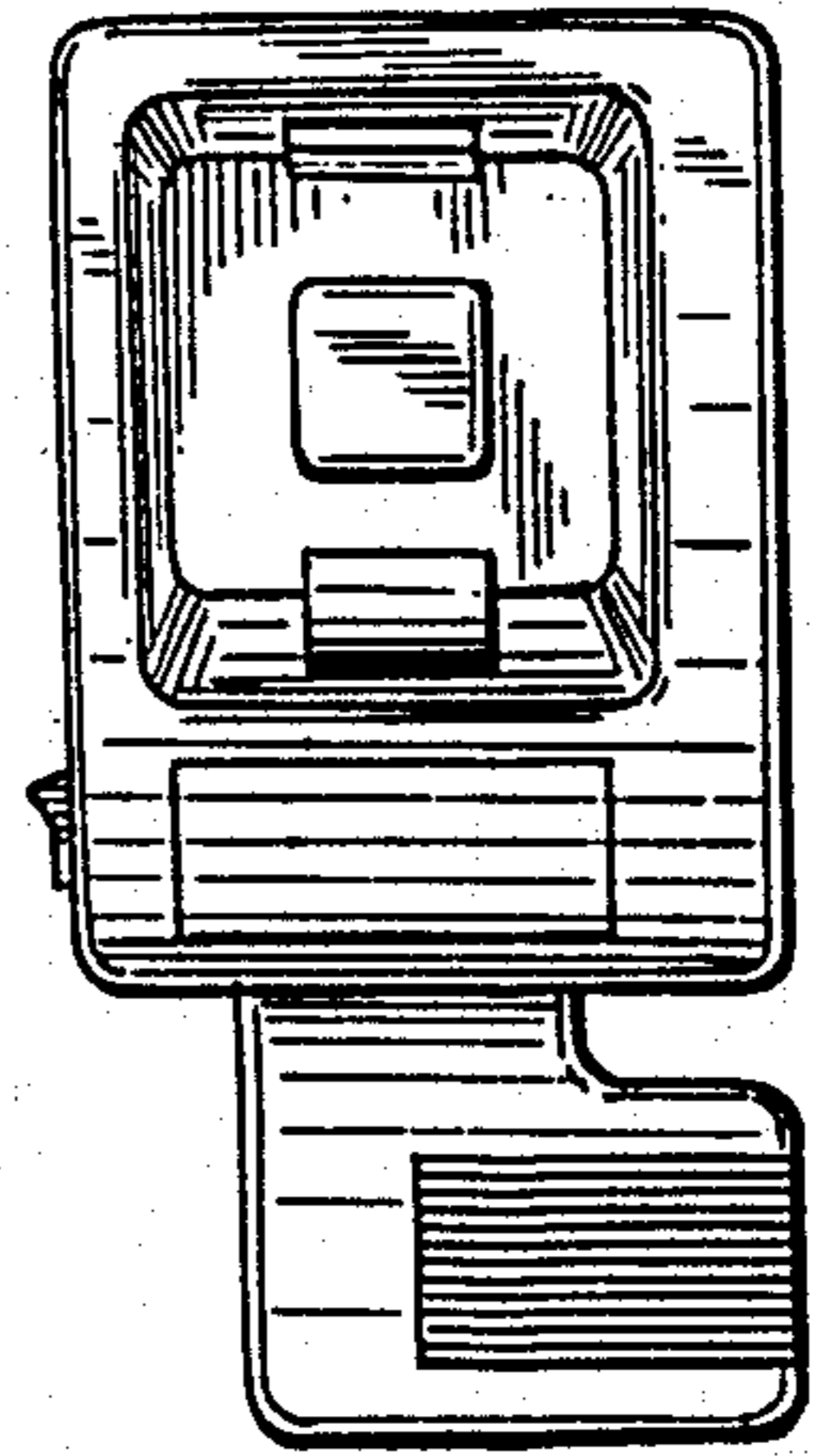


FIG. 8

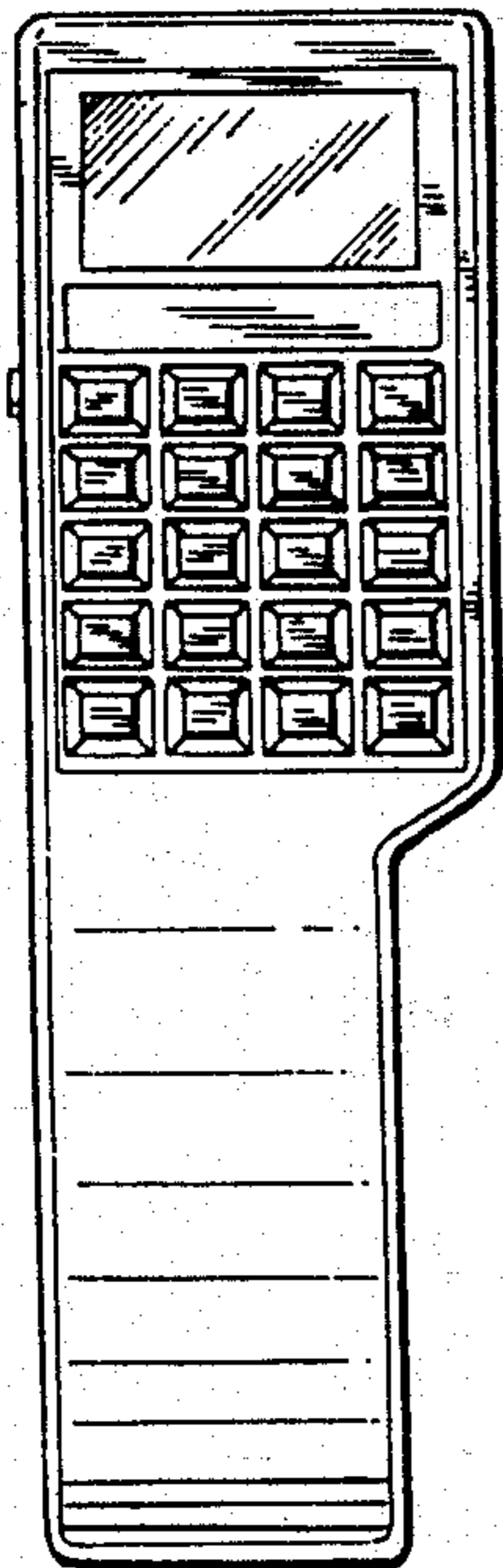


FIG. 5



FIG. 6

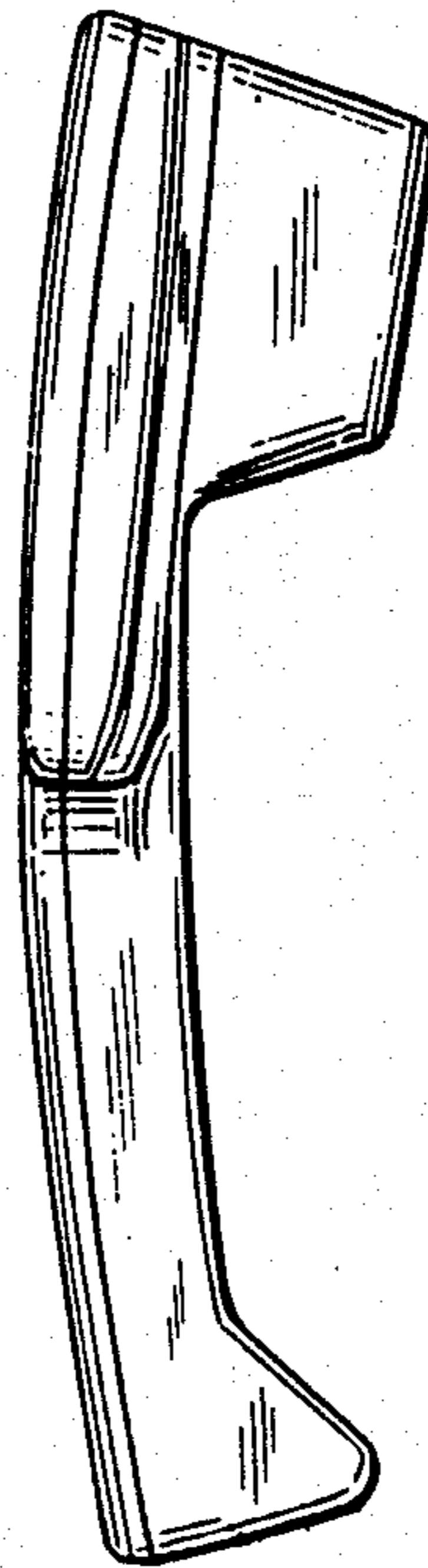


FIG. 7

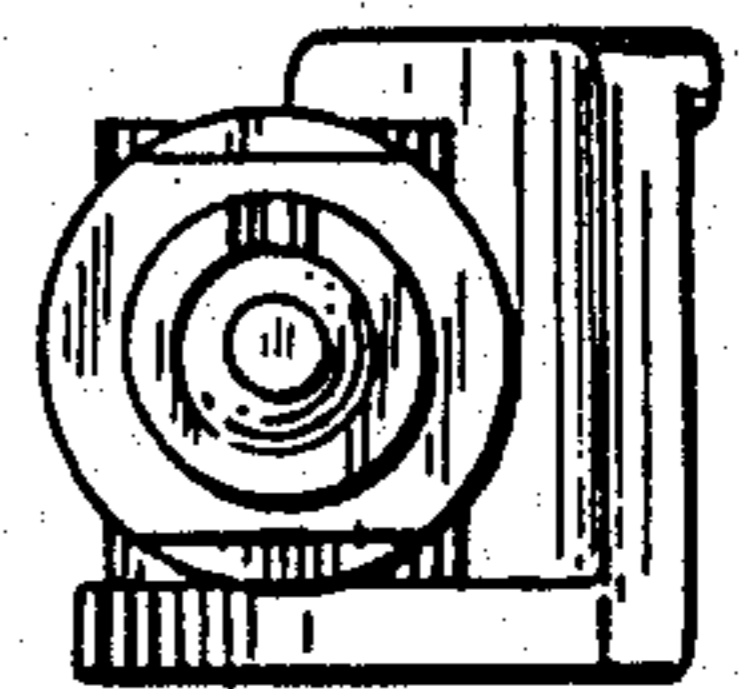


FIG. 9