

[54] **LICENSE PLATE HOLDER**

[75] **Inventor: Eric Langensiepen, New York, N.Y.**

[73] **Assignee: Allison Corporation, Livingston, N.J.**

[**] **Term: 14 Years**

[21] **Appl. No.: 590,025**

[22] **Filed: Mar. 15, 1984**

[52] **U.S. Cl. D12/193**

[58] **Field of Search D12/193; 40/209**

[56] **References Cited**

U.S. PATENT DOCUMENTS

D. 76,530 10/1928 Gates D12/193
D. 244,771 6/1977 Bott D12/193

OTHER PUBLICATIONS

J. C. Whitney Catalog No. 384C, ©1979, p. 94, License Frame 15-6369W, lower left side of page.

Primary Examiner—James M. Gandy
Attorney, Agent, or Firm—Abraham Friedman

[57] **CLAIM**

The ornamental design for a license plate holder, as shown.

DESCRIPTION

FIG. 1 is a perspective view of a license plate holder showing my new design.

FIG. 2 is a front elevational view thereof;

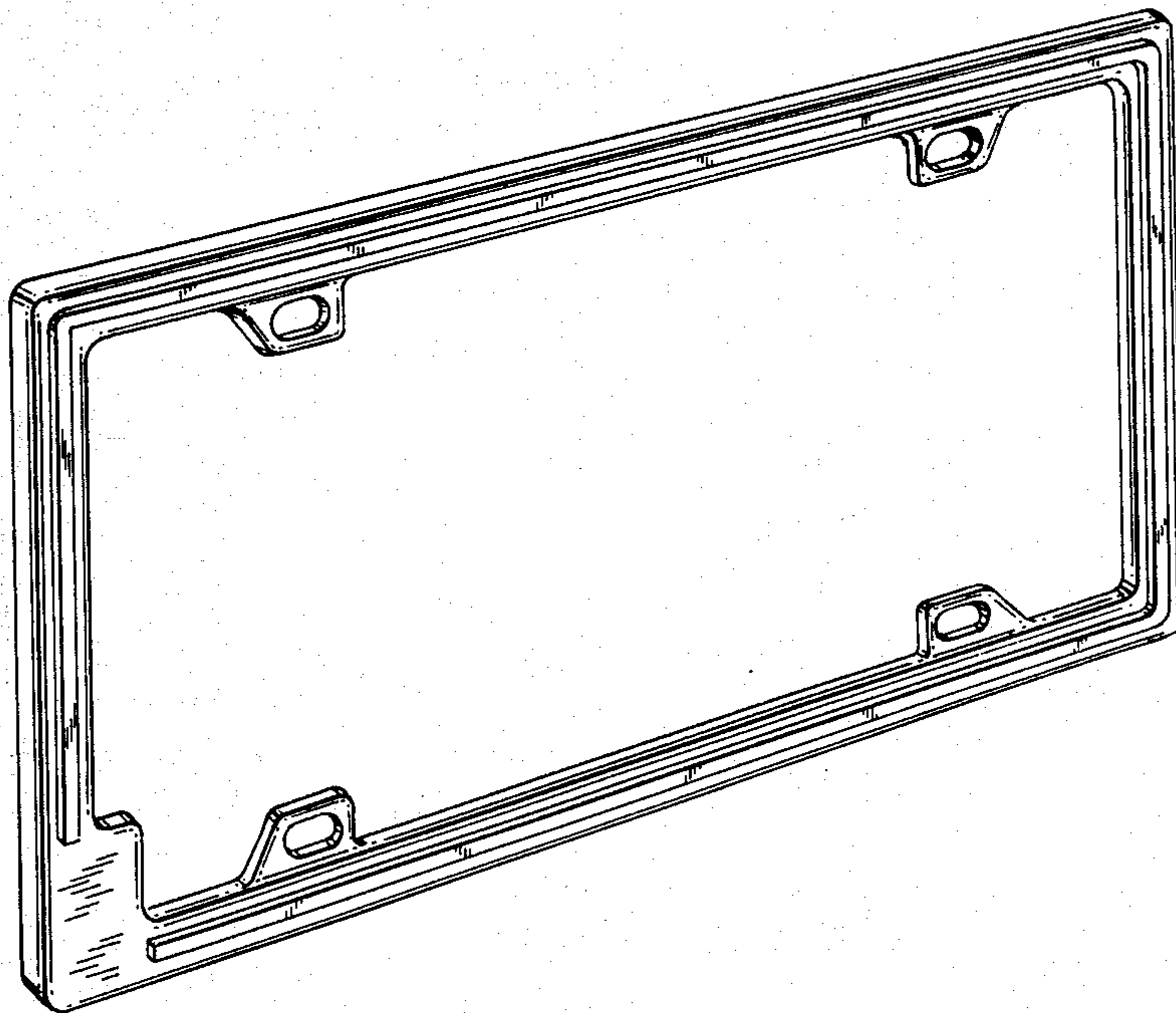
FIG. 3 is a top plan view thereof;

FIG. 4 is a right side elevational view thereof;

FIG. 5 is a left side elevational view thereof;

FIG. 6 is a rear elevational view thereof;

FIG. 7 is a bottom plan view thereof.



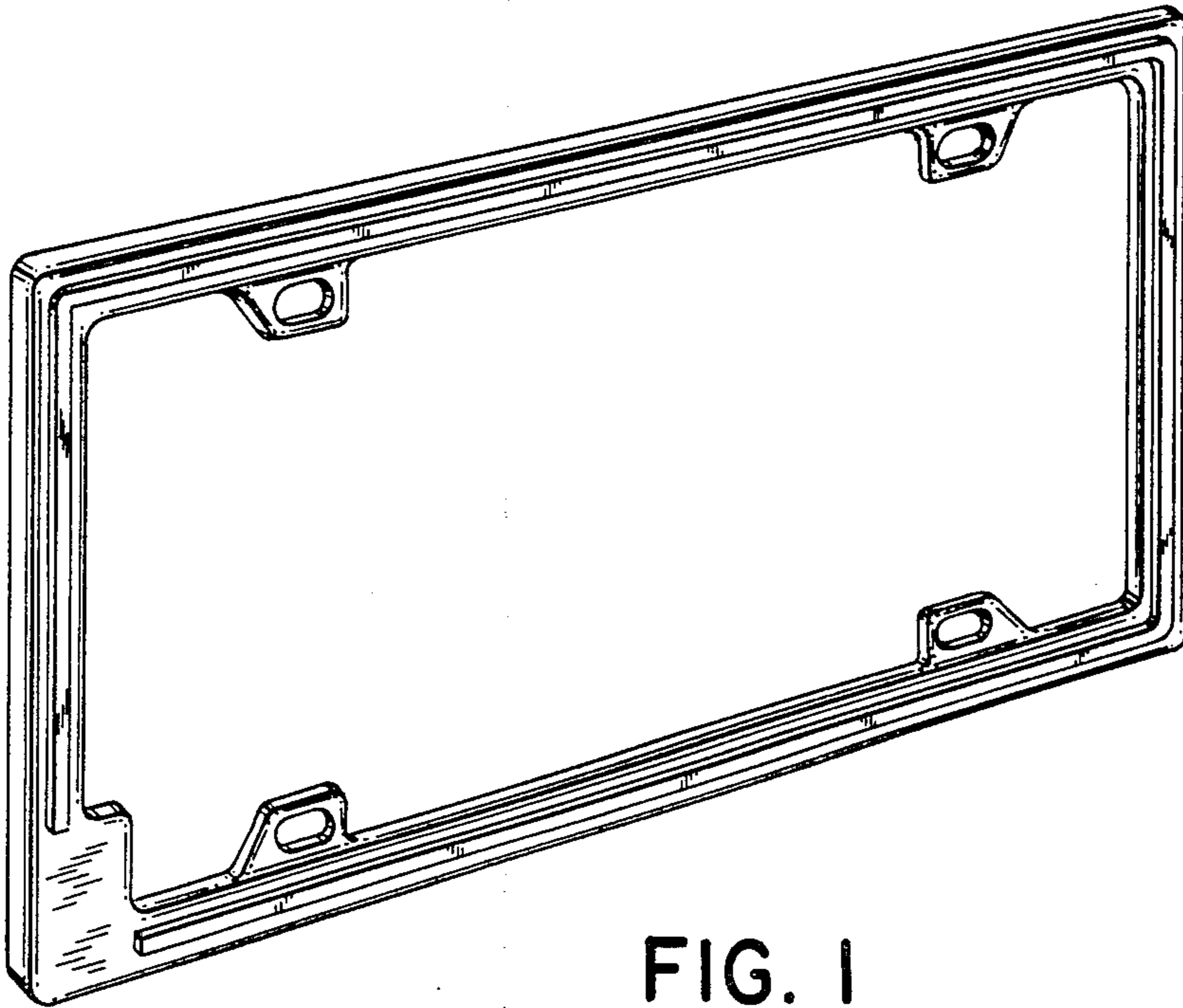


FIG. 1

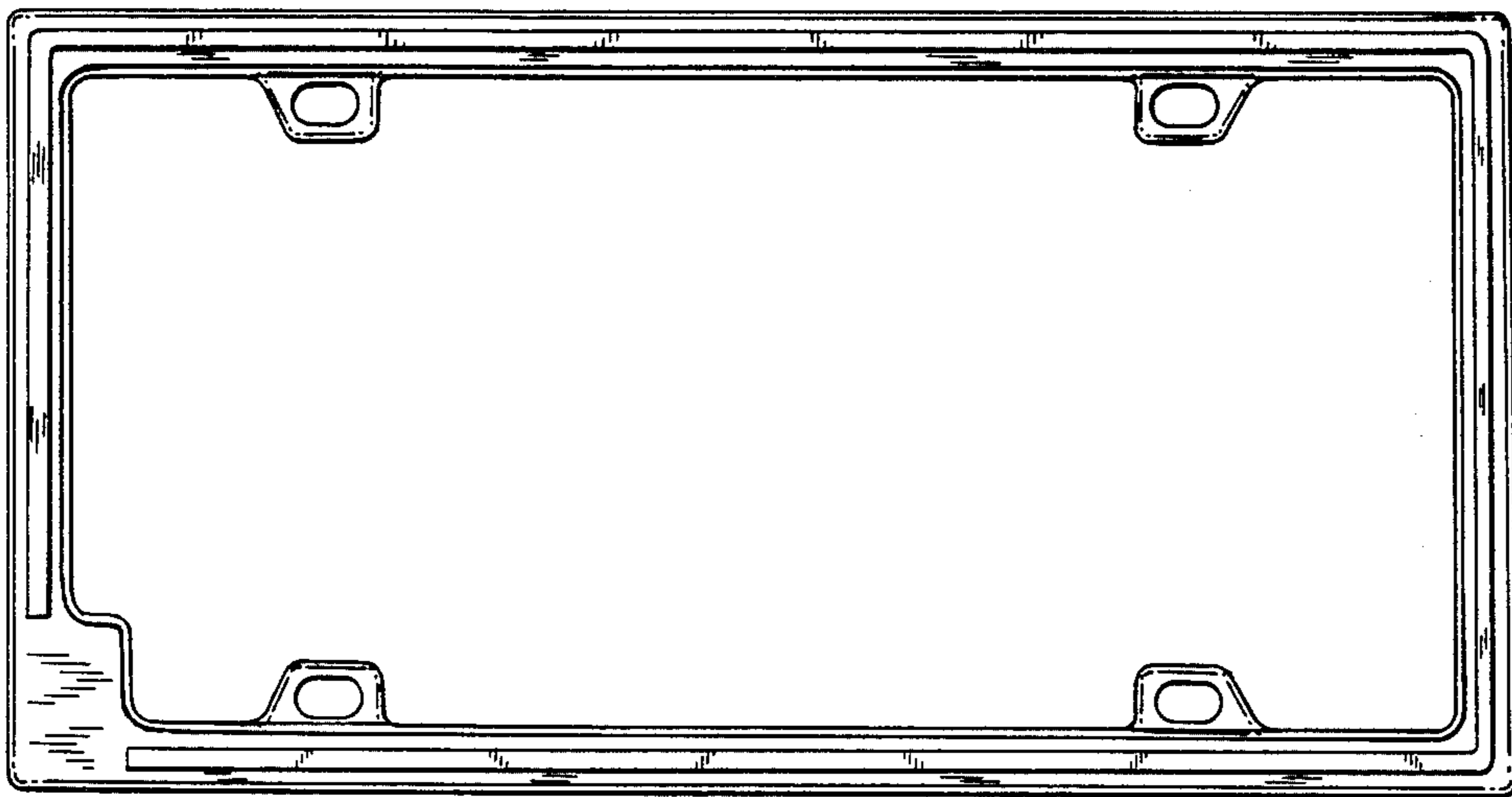


FIG. 2



FIG. 4



FIG. 3

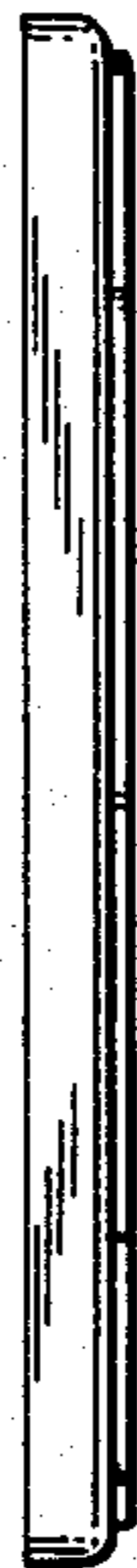


FIG. 5

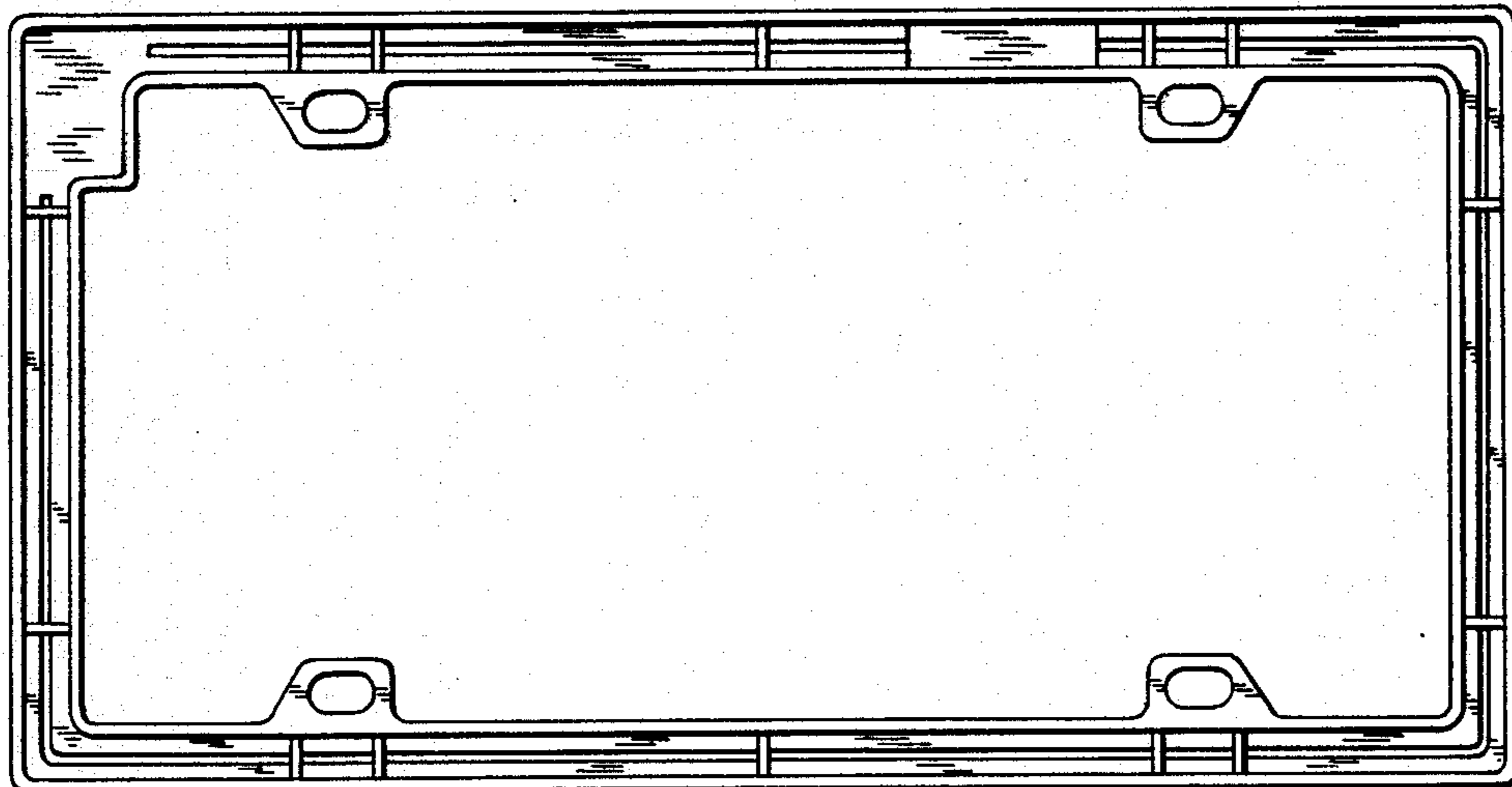


FIG. 6



FIG. 7