

[54] LEVEL RULE

[76] Inventors: Donald Wright, 14265 Juneau Blvd., Elm Grove, Wis. 53202; Randall J. Wright, 3535 Studio Ct., Brookfield, Wis. 53005

[**] Term: 14 Years

[21] Appl. No.: 574,917

[22] Filed: Jan. 30, 1984

[52] U.S. Cl. D10/62; D10/71; D10/69

[58] Field of Search D10/70, 71, 72, 62, D10/69; 33/451, 485

[56] References Cited

U.S. PATENT DOCUMENTS

D. 14,043	7/1883	Stephens	D10/71
D. 189,590	1/1961	White	D10/62
D. 212,340	10/1968	Hull	D10/71
D. 229,341	11/1973	West	D10/69
D. 238,056	12/1975	Foster	D10/69

D. 267,552	1/1983	Seely	D10/71
2,736,097	2/1956	Coleman	D10/71 X

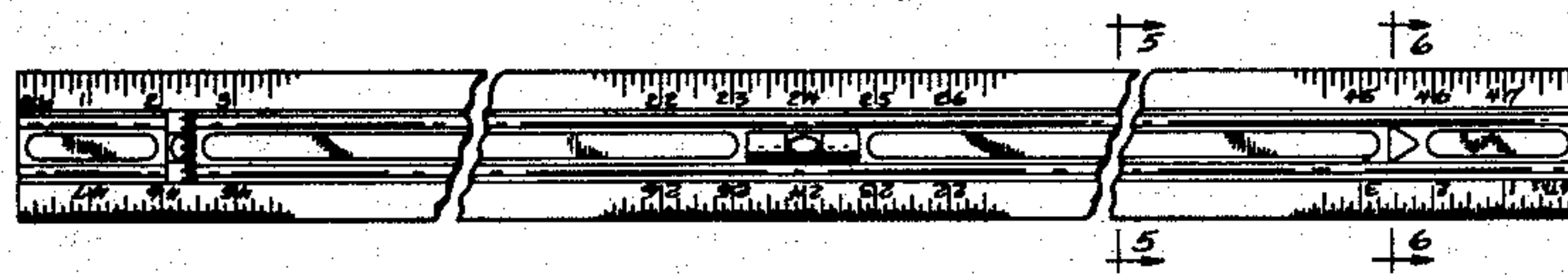
Primary Examiner—Nelson C. Holtje
Attorney, Agent, or Firm—McDougall, Hersh & Scott

[57] CLAIM

The ornamental design for a level rule, as shown and described.

DESCRIPTION

FIG. 1 is a top plan view of a level rule showing my new design with portions broken away for ease of illustration, it being understood that the scale markings are continuous throughout its length;
 FIG. 2 is a front elevational view thereof;
 FIG. 3 is a left end elevational view thereof;
 FIG. 4 is a right end elevational view thereof;
 FIG. 5 is a cross-sectional view thereof as taken from line 5—5 of FIG. 1;
 FIG. 6 is a cross-sectional view thereof as taken from line 6—6 of FIG. 1;
 FIG. 7 is a bottom plan view thereof on a reduced scale.



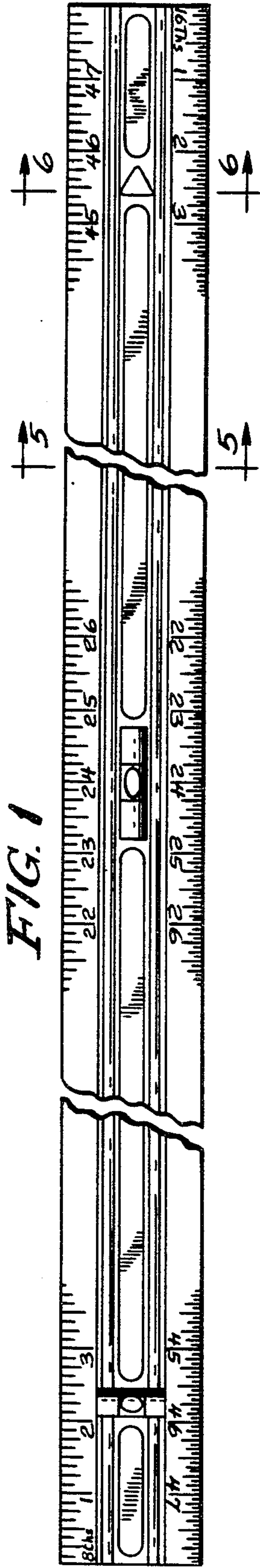


FIG. 1



FIG. 2



FIG. 3



FIG. 4

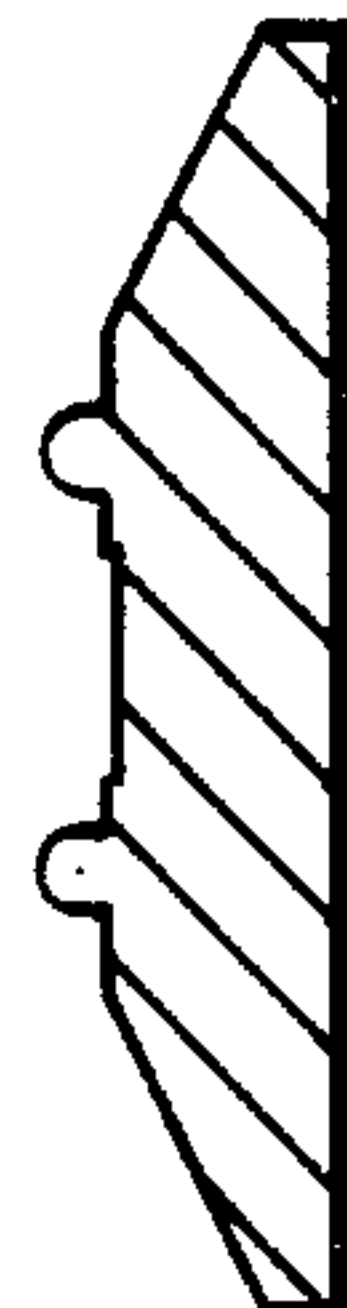


FIG. 5



FIG. 6

FIG. 7

