

[54] **PACKAGING TRAY FOR FOOD OR THE LIKE**

[75] **Inventor: Hampton E. Forbes, Jr., Wilmington, Del.**

[73] **Assignee: Westvaco Corporation, New York, N.Y.**

[**] **Term: 14 Years**

[21] **Appl. No.: 582,615**

[22] **Filed: Feb. 22, 1984**

[52] **U.S. Cl. D9/416; D9/432; D9/431; D9/425**

[58] **Field of Search D9/416, 425, 431, 432; 229/44 R, 43, 30, 31 R; 206/612, 628**

[56] **References Cited**

U.S. PATENT DOCUMENTS

D. 194,429 1/1963 Kuhn D9/425 X

D. 241,229	8/1976	Gustaffson	D9/425
D. 253,331	11/1979	Olschewski	D9/425 X
3,982,685	9/1976	Shimada	206/628 X
4,183,458	1/1980	Meyers	229/44 R
4,210,674	7/1980	Mitchell	229/3.5 MF X
4,351,473	9/1982	Manizza	206/612 X
4,386,706	6/1983	Korte	206/628
4,457,164	6/1984	Foster et al.	229/43
4,477,509	10/1984	Mott	229/3.5 MF X

Primary Examiner—Robert C. Spangler

[57] **CLAIM**

The ornamental design for a packaging tray for food or the like, substantially as shown and described.

DESCRIPTION

FIG. 1 is a side elevational view of a packaging tray for food or the like showing my new design; FIG. 2 is an end elevational view; FIG. 3 is a top plan view; and FIG. 4 is a top perspective view with the lid removed.

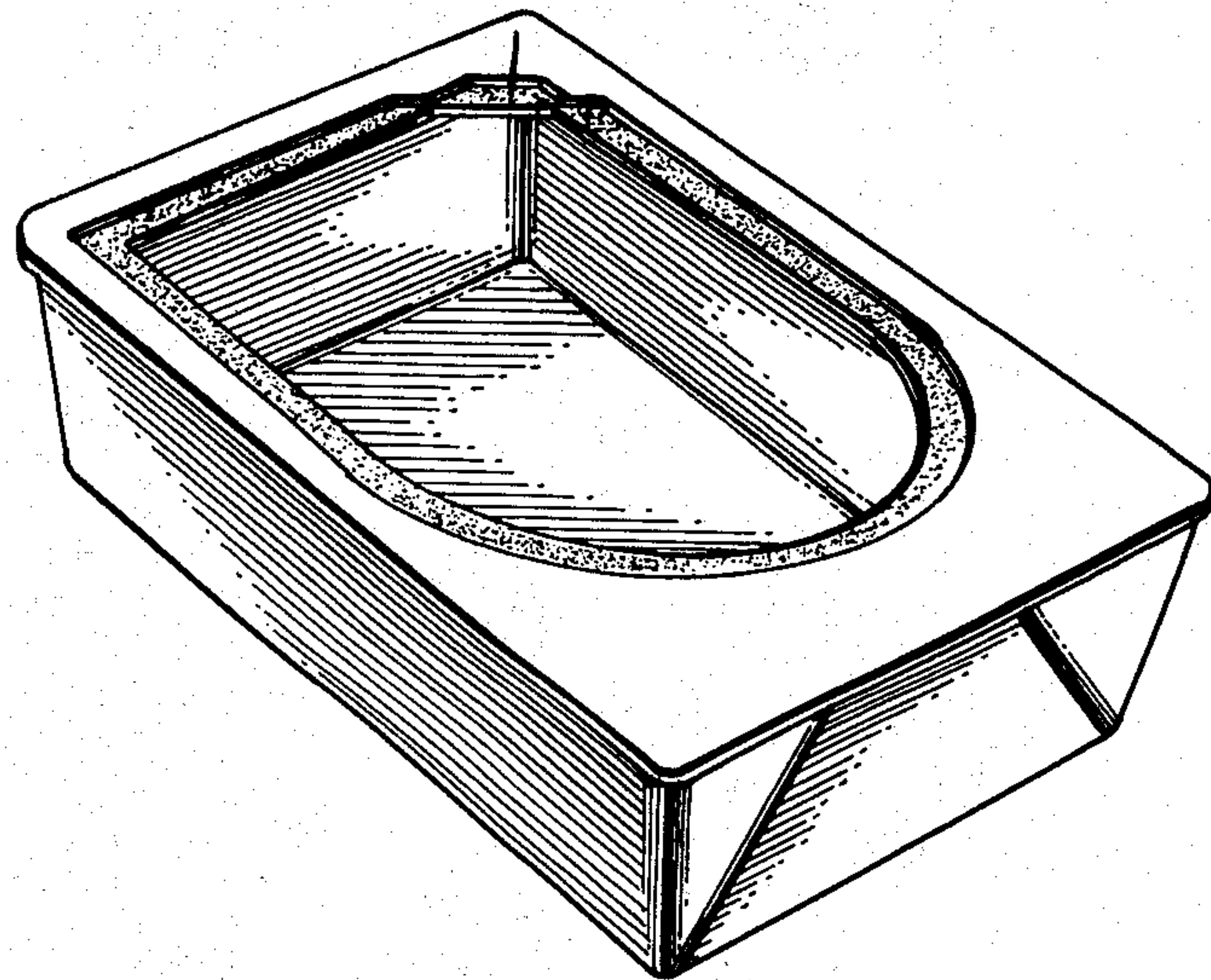


FIG 1.

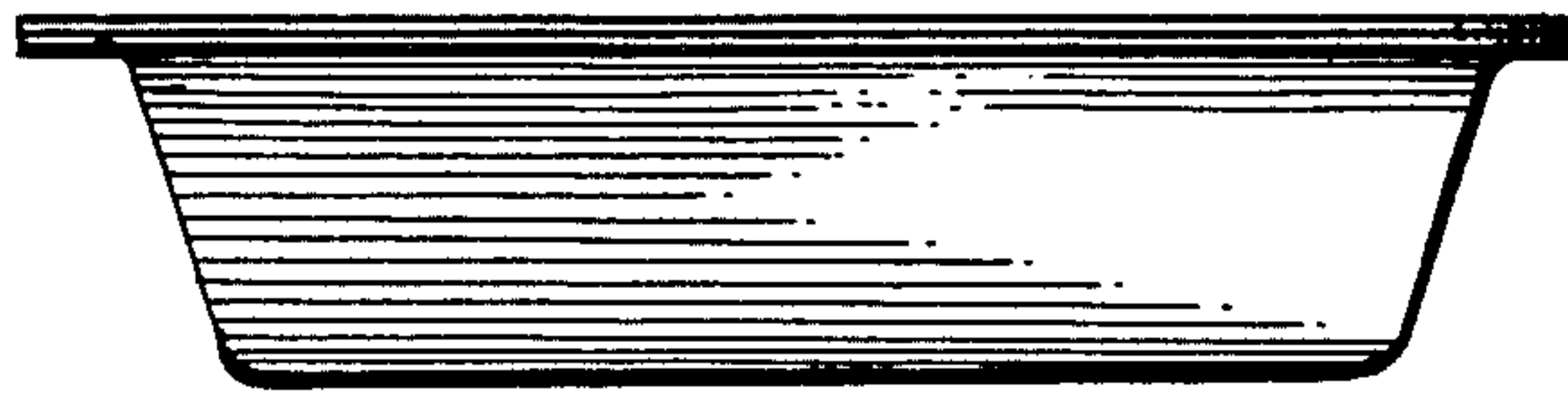


FIG 2.

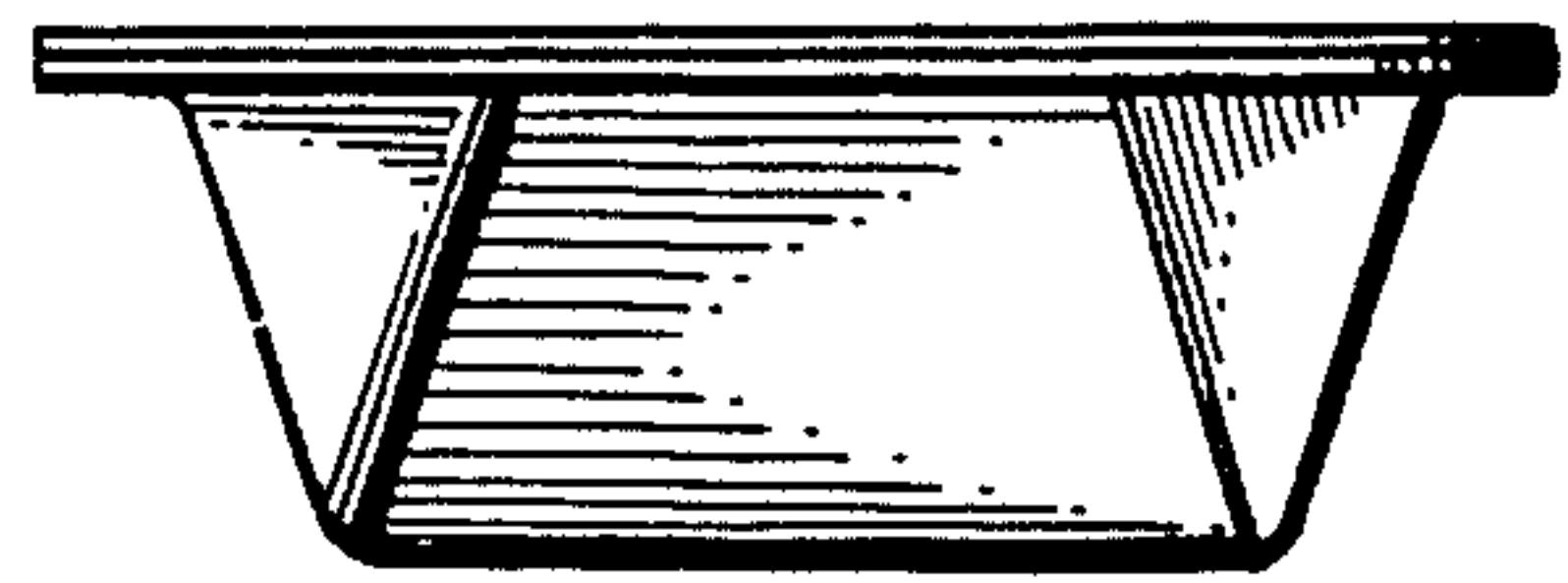


FIG 3.

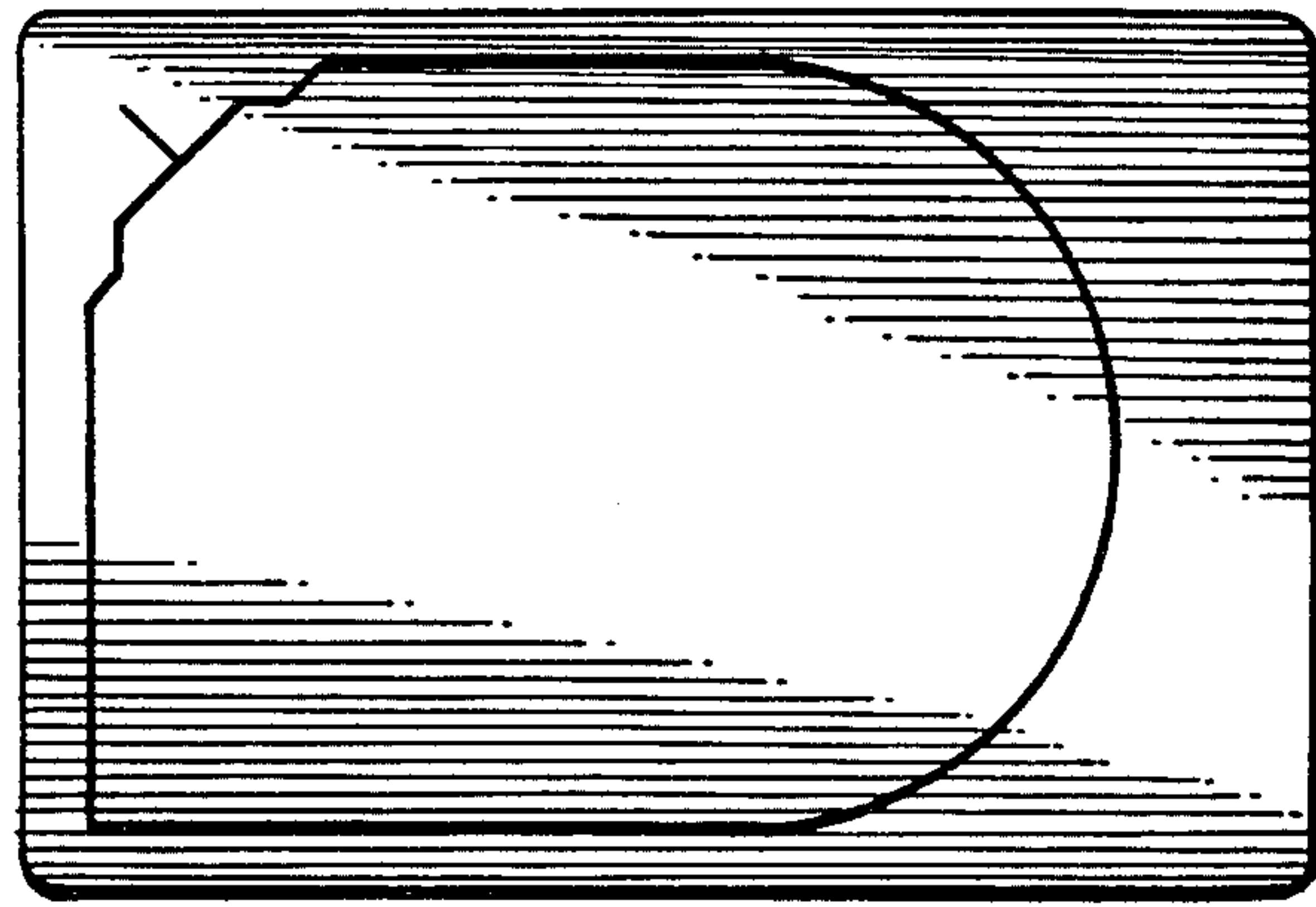


FIG 4.

