

- [54] **BOTTLE**
- [75] **Inventor: Edward J. Kretz, Toledo, Ohio**
- [73] **Assignee: Owens-Illinois, Inc., Toledo, Ohio**
- [**] **Term: 14 Years**
- [21] **Appl. No.: 528,674**
- [22] **Filed: Sep. 1, 1983**
- [52] **U.S. Cl. D9/401; D9/405; D9/413**
- [58] **Field of Search D9/367, 362, 390, 399, D9/391, 394, 401, 403, 405, 389; 215/1 R, 1 C**

- D. 254,598 4/1980 Grodin D9/405
- D. 258,200 2/1981 Weckström D9/401
- D. 267,076 11/1982 Hurtig D9/389 X

Primary Examiner—Robert C. Spangler
Attorney, Agent, or Firm—John R. Nelson

[57] **CLAIM**

The ornamental design for a bottle, substantially as shown and described.

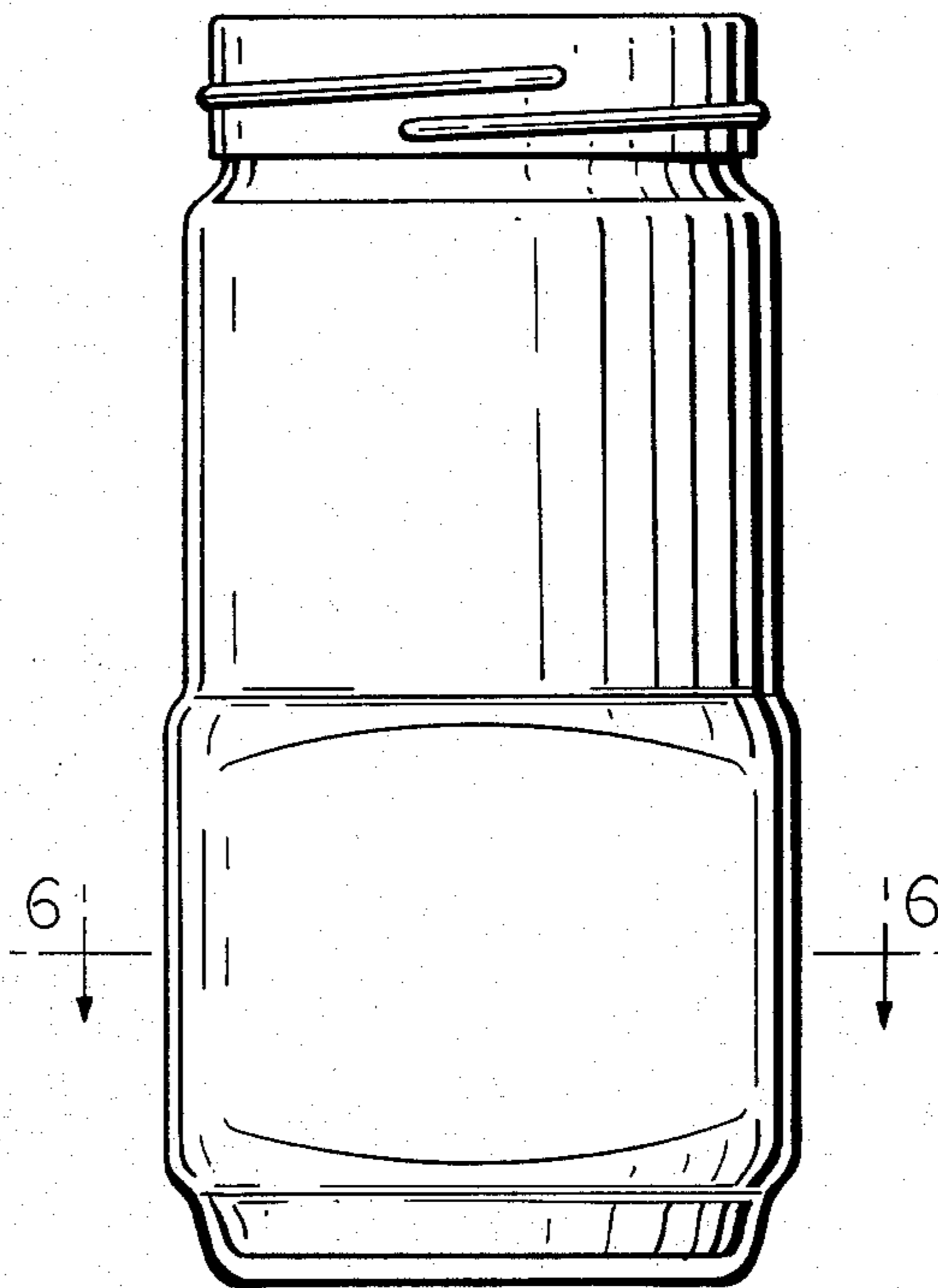
DESCRIPTION

FIG. 1 is an elevational view of a bottle showing my new design, the opposite side being substantially the same in appearance as the side shown;
 FIG. 2 is a top plan view;
 FIG. 3 is a bottom plan view;
 FIG. 4 is a perspective view;
 FIG. 5 is a vertical sectional view taken along line 5—5 of FIG. 2; and
 FIG. 6 is a horizontal sectional view taken on the line 6—6 of FIG. 1.

[56] **References Cited**

U.S. PATENT DOCUMENTS

- D. 92,640 6/1934 Ennever D9/401
- D. 95,240 4/1935 Fuerst D9/405
- D. 95,260 4/1935 Key D9/405
- D. 100,077 6/1936 Luft D9/401
- D. 219,909 2/1971 Hambley et al. D9/413



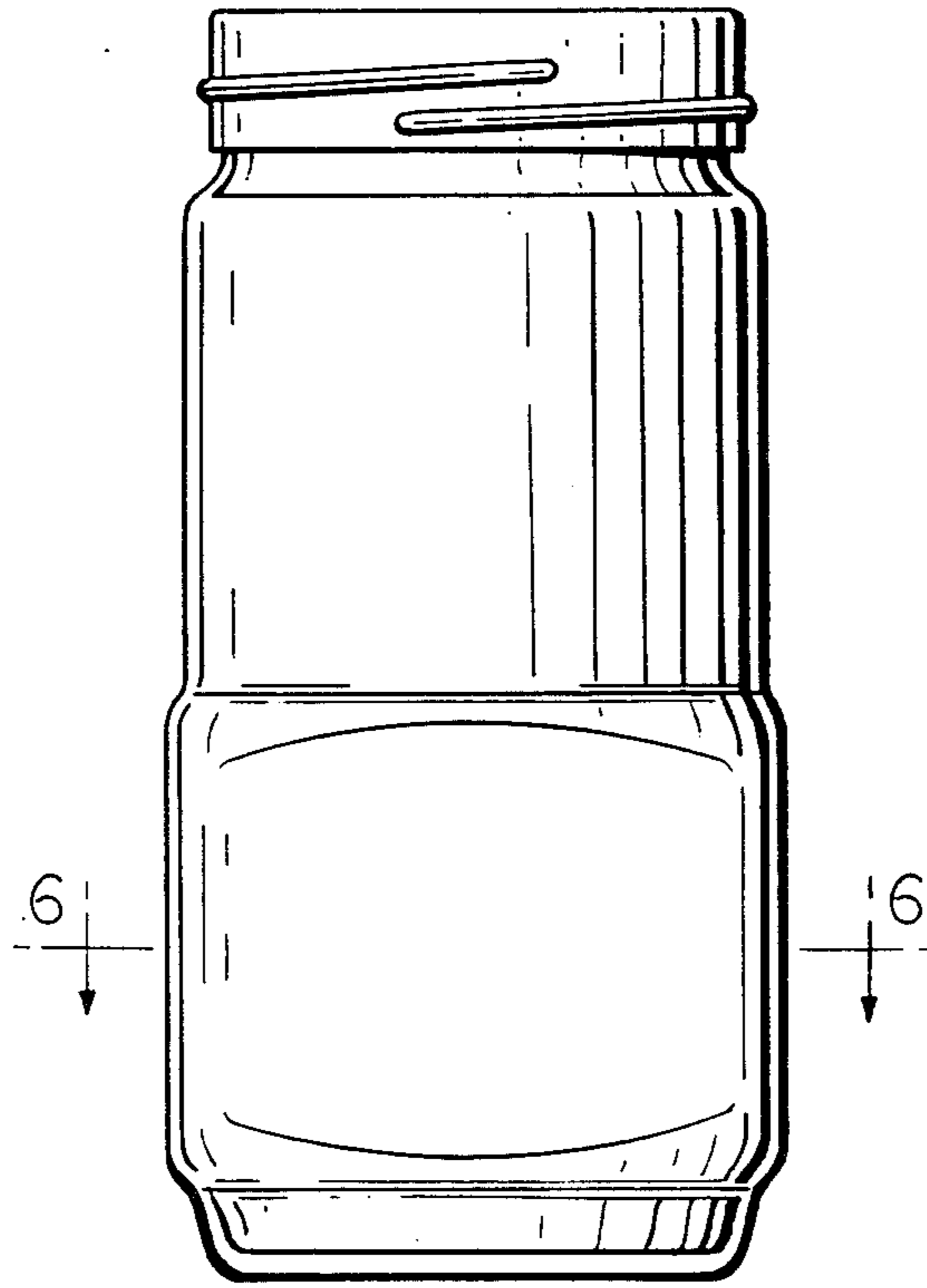


FIG. 1

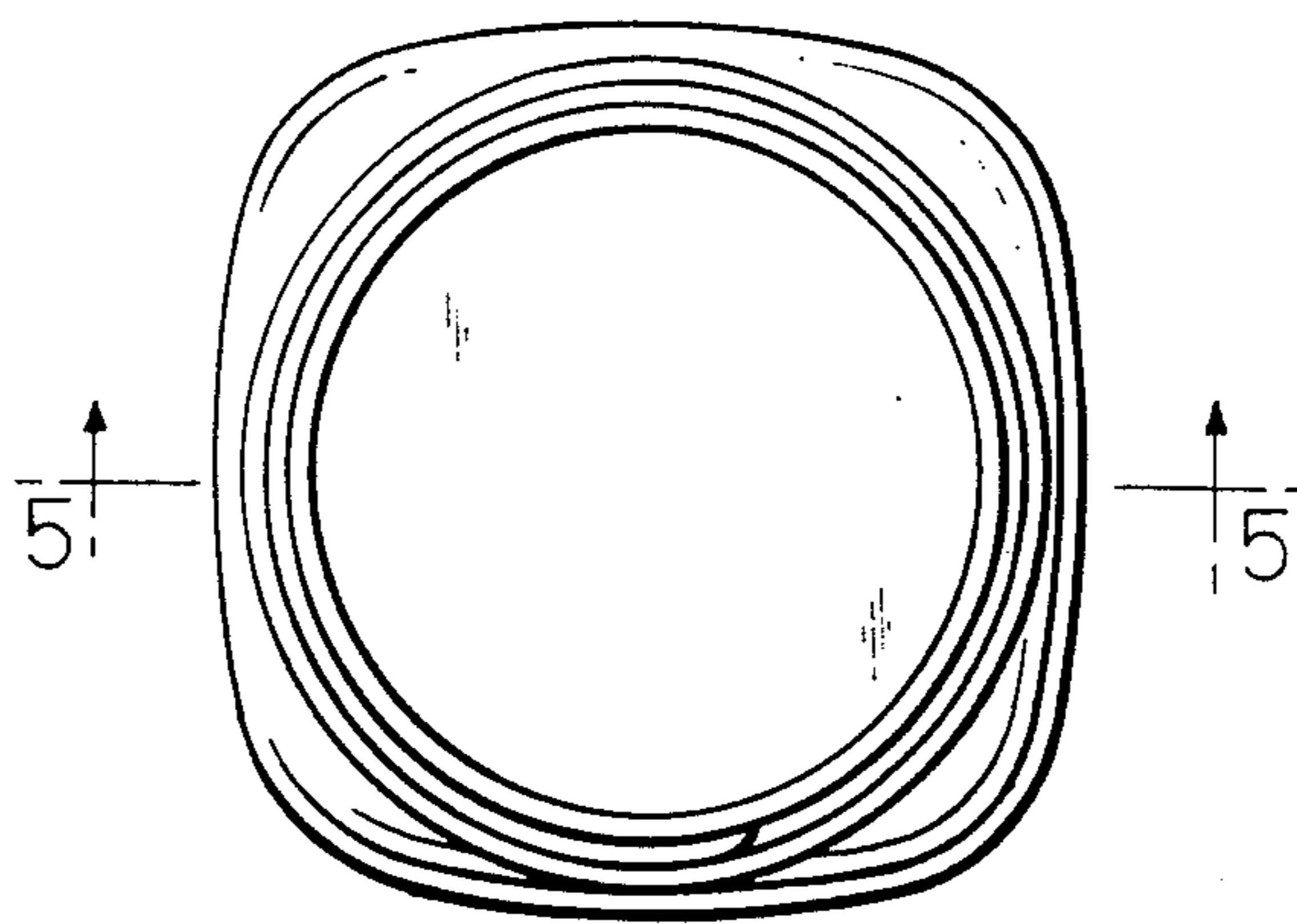


FIG. 2

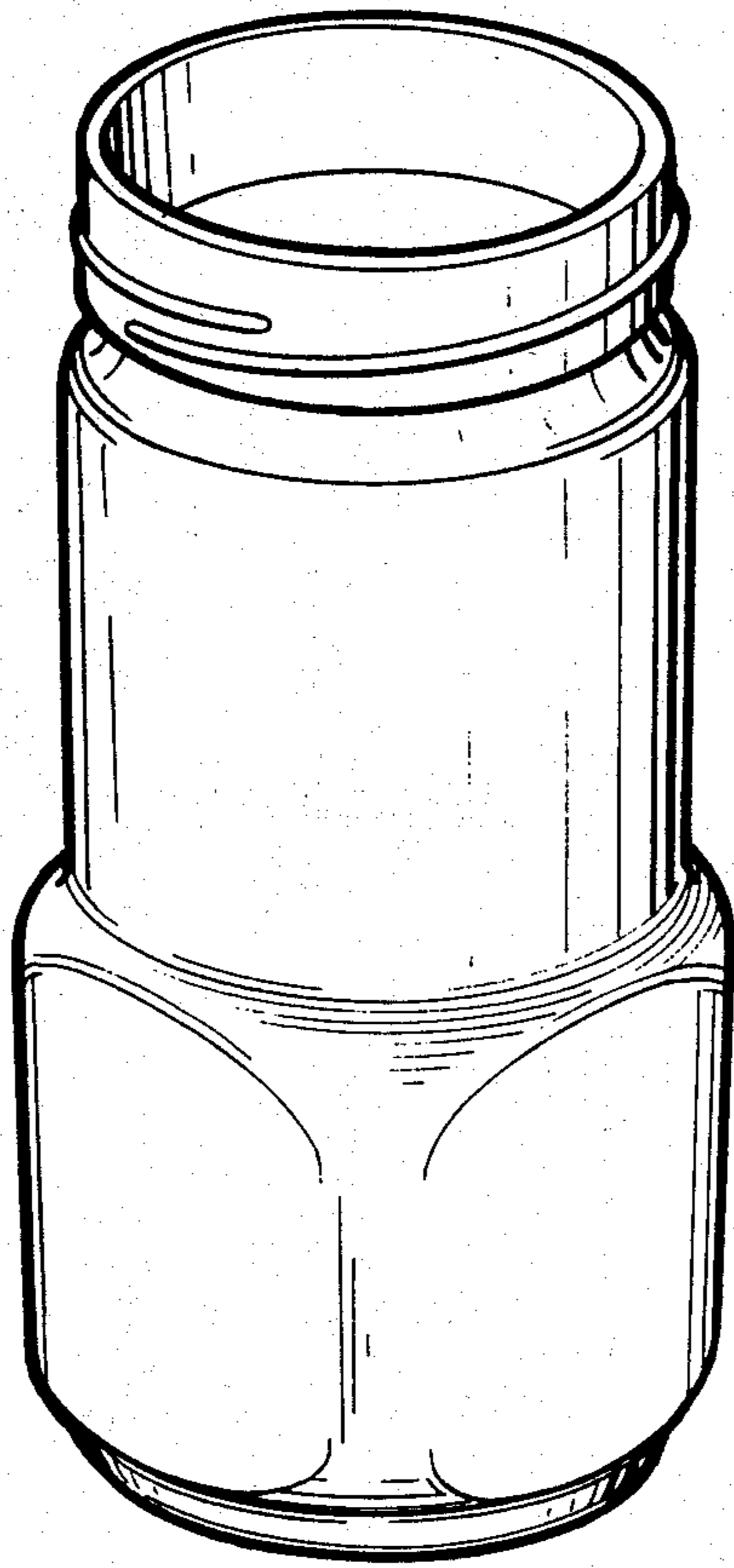


FIG. 4

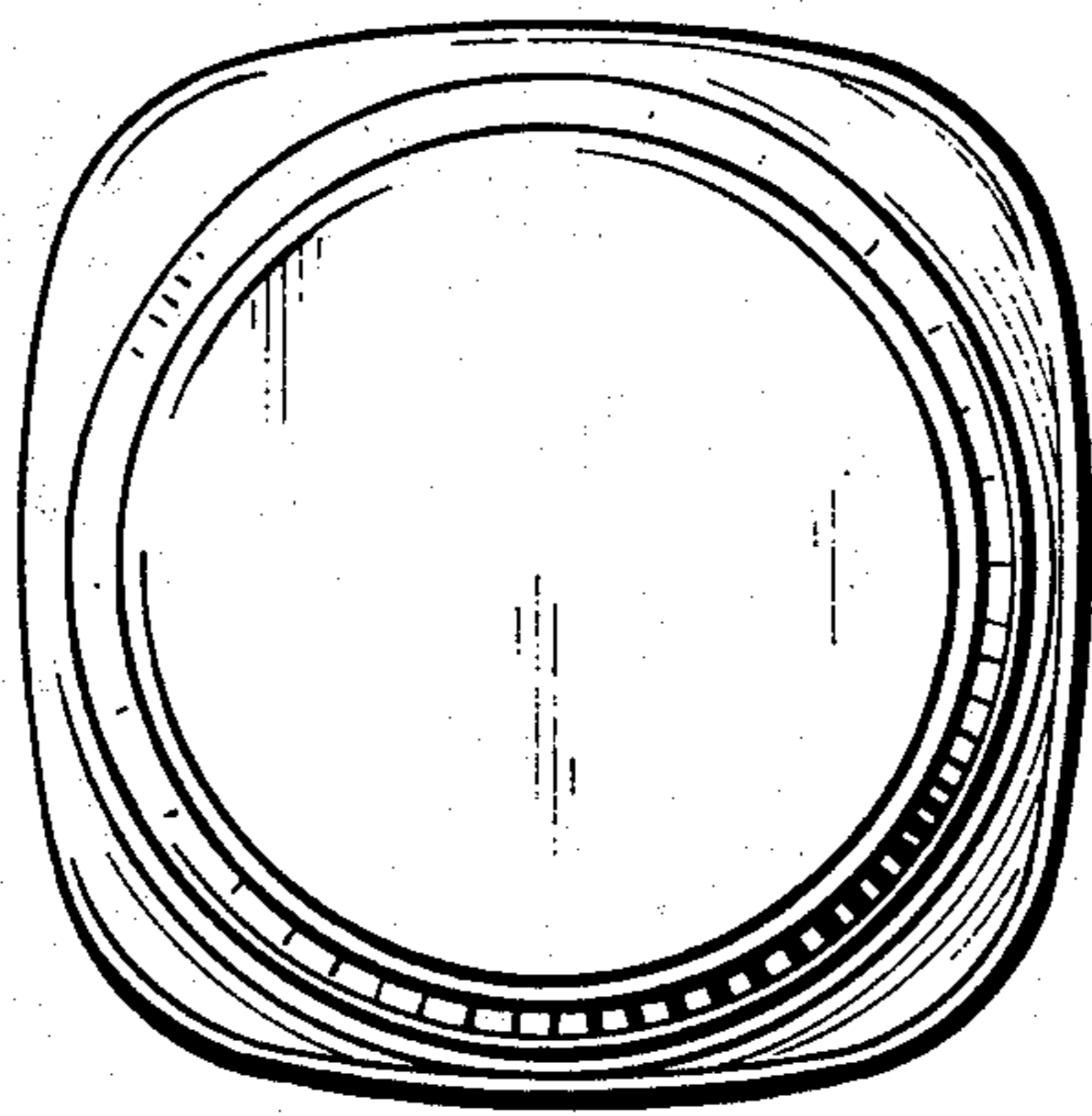


FIG. 3

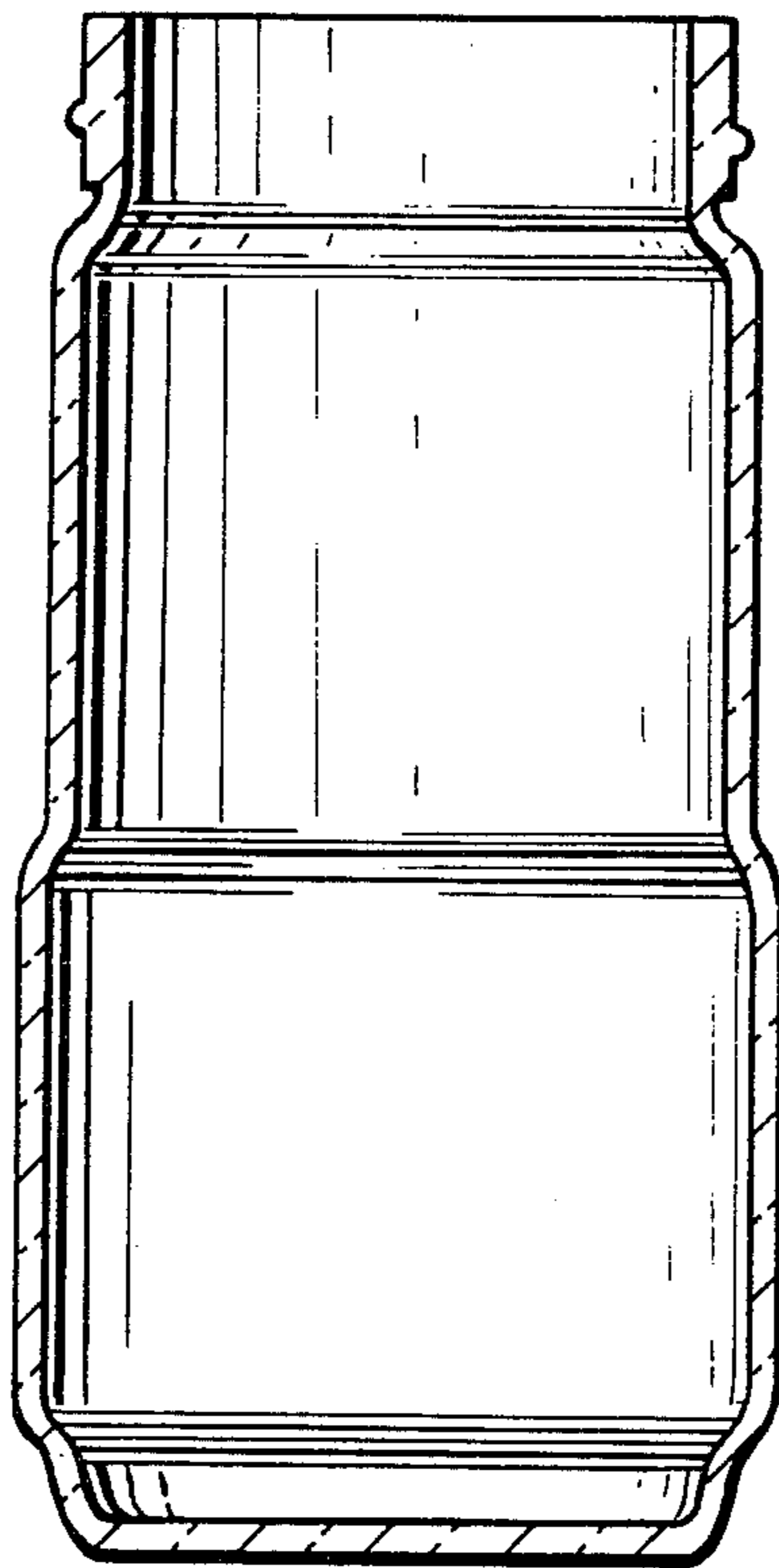


FIG. 5

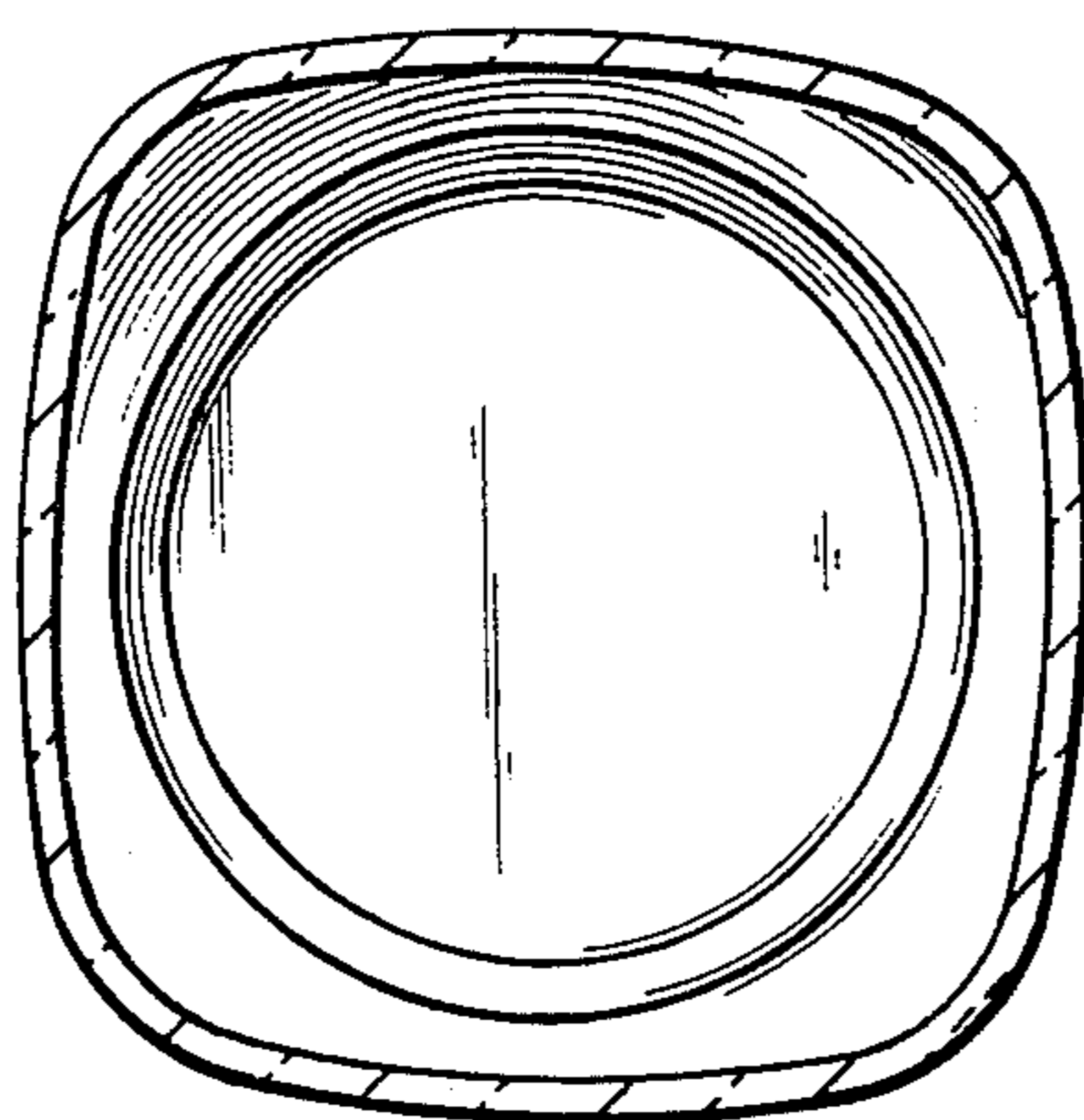


FIG. 6