

[54] DEAD BOLT COMBINATION LOCK

[75] Inventors: Charles S. Gehrie, West Orange; Lester G. Kloin, Matawan, both of N.J.

[73] Assignee: Presto Lock, Inc., Garfield, N.J.

[\*\*] Term: 14 Years

[21] Appl. No.: 577,025

[22] Filed: Feb. 6, 1984

[52] U.S. Cl. .... D8/331

[58] Field of Search ..... D8/330-348; 70/113-124

[56] References Cited

U.S. PATENT DOCUMENTS

D. 25,150	2/1896	Towne	.....	D8/341
D. 29,895	12/1898	Towne	.....	D8/341
D. 31,928	12/1899	Voight	.....	D8/341
D. 268,004	2/1983	Stolarz	.....	D8/331
D. 273,270	4/1984	Stolarz	.....	D8/341
1,605,893	11/1926	Hansen	.....	70/117
1,923,443	8/1933	Knieszner	.....	70/117

OTHER PUBLICATIONS

Russwin All-Star Builders Hardware Catalogue (Oct. 1957) p. 26, No. 1290.  
 Sears Catalogue (Spring 1970) p. 587, No. 2.  
 Taylor Lock Co. Advertisement, "Hardware Age" (3/22/1951) p. 179, No. 800-C.

Primary Examiner—B. J. Bullock  
 Assistant Examiner—Brian N. Vinson  
 Attorney, Agent, or Firm—Shapiro and Shapiro

[57] CLAIM

The ornamental design for a dead bolt combination lock, as shown and described.

DESCRIPTION

FIG. 1 is a top perspective view of a dead bolt combination lock showing our new design;  
 FIG. 2 is a top perspective view thereof, with the dead bolt shown in an extended position and with the hasp omitted for ease of illustration;  
 FIG. 3 is a perspective view of the hasp of the dead bolt combination lock shown in FIG. 1;  
 FIG. 4 is a top plan view of the dead bolt combination lock shown in FIG. 2, with the dead bolt shown retracted, and the bottom being plain and unornamented;  
 FIG. 5 is a front elevational view thereof, the rear elevational view being a mirror image of the front elevational view;  
 FIG. 6 is a right side elevational view thereof;  
 FIG. 7 is a left side elevational view thereof;  
 FIG. 8 is a top plan view of the hasp shown in FIG. 3;  
 FIG. 9 is a front elevational view thereof, the rear elevational view being a mirror image of the front elevational view;  
 FIG. 10 is a left side elevational view thereof; and  
 FIG. 11 is a right side elevational view thereof.

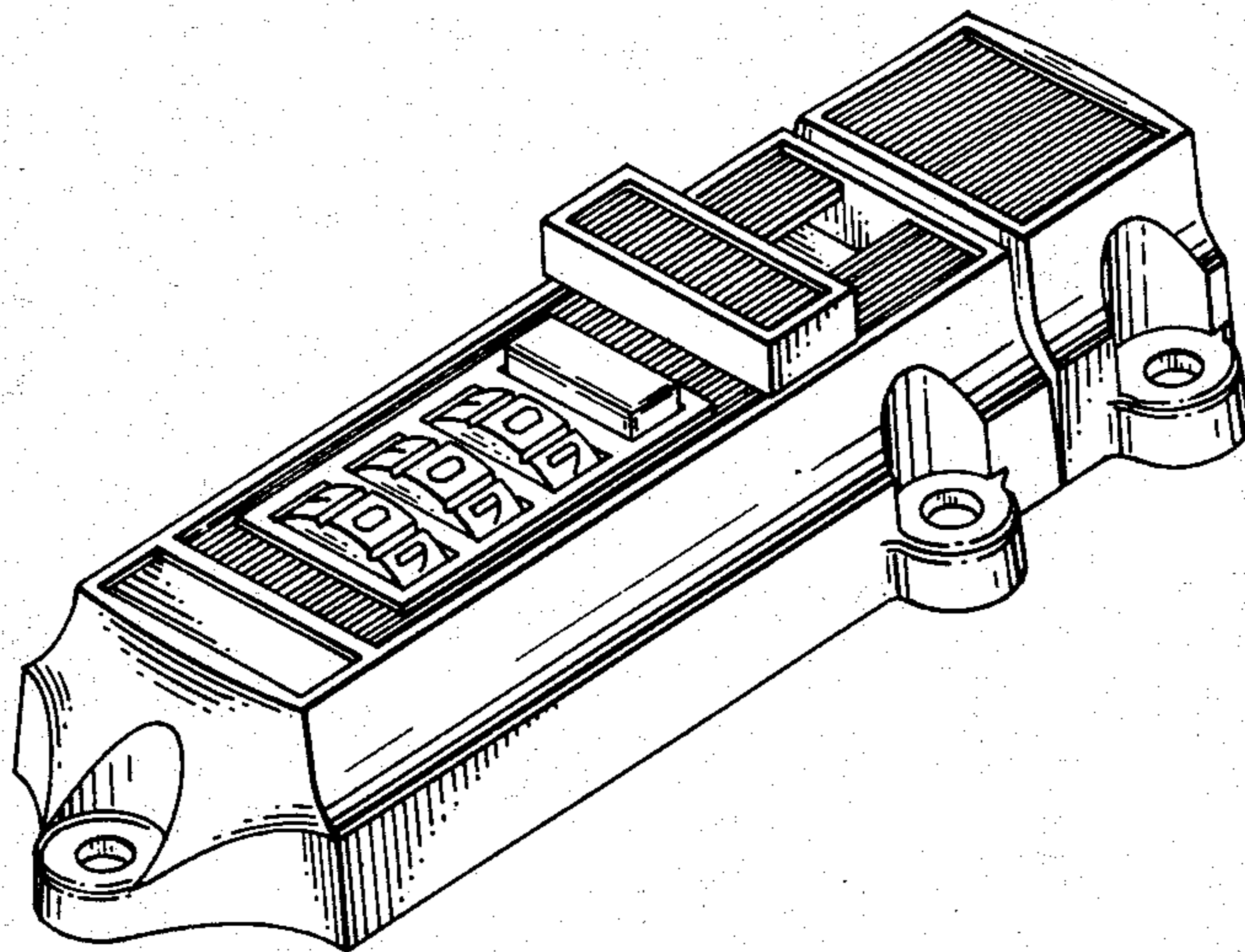


FIG. 1.

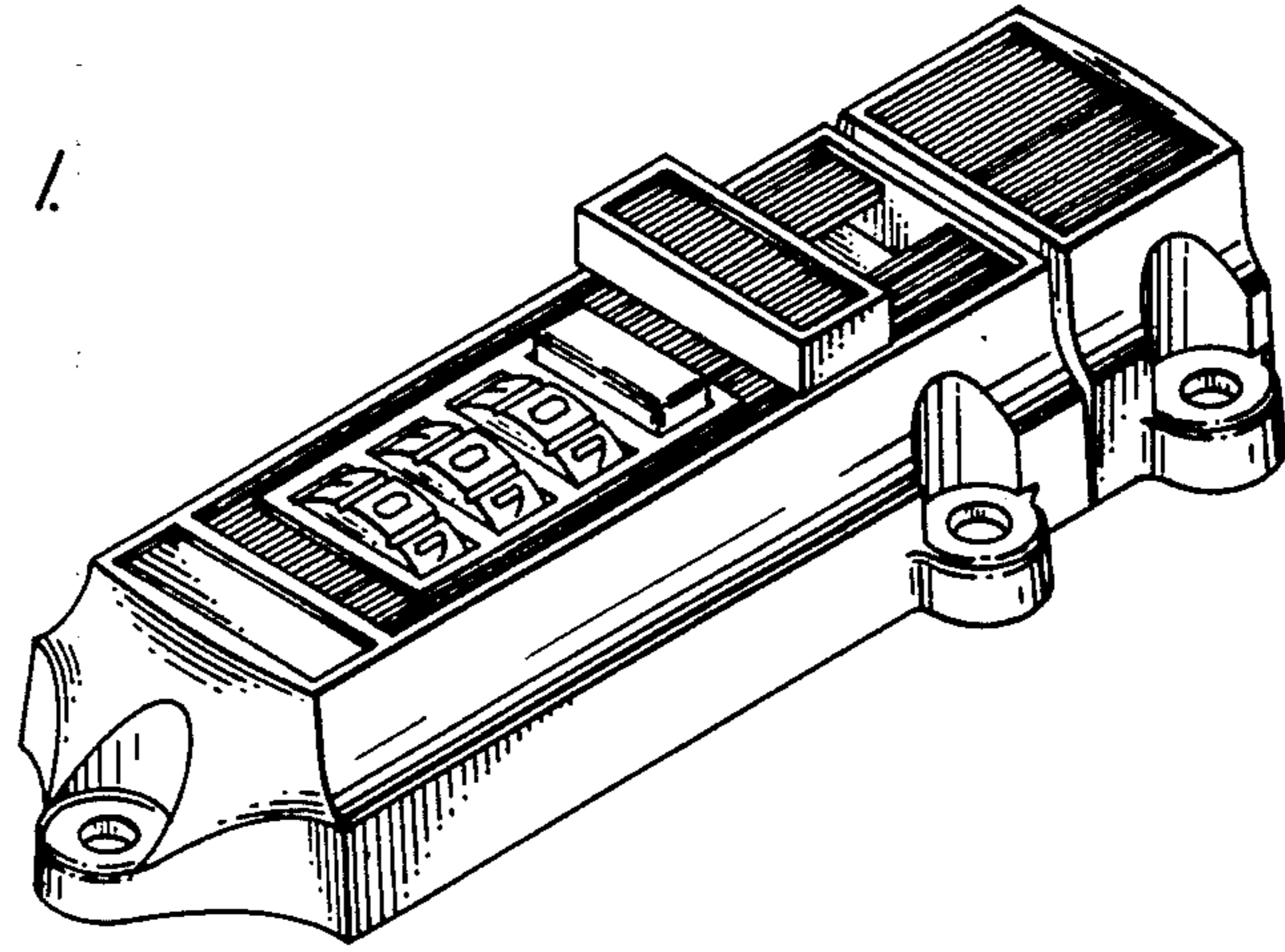


FIG. 2.

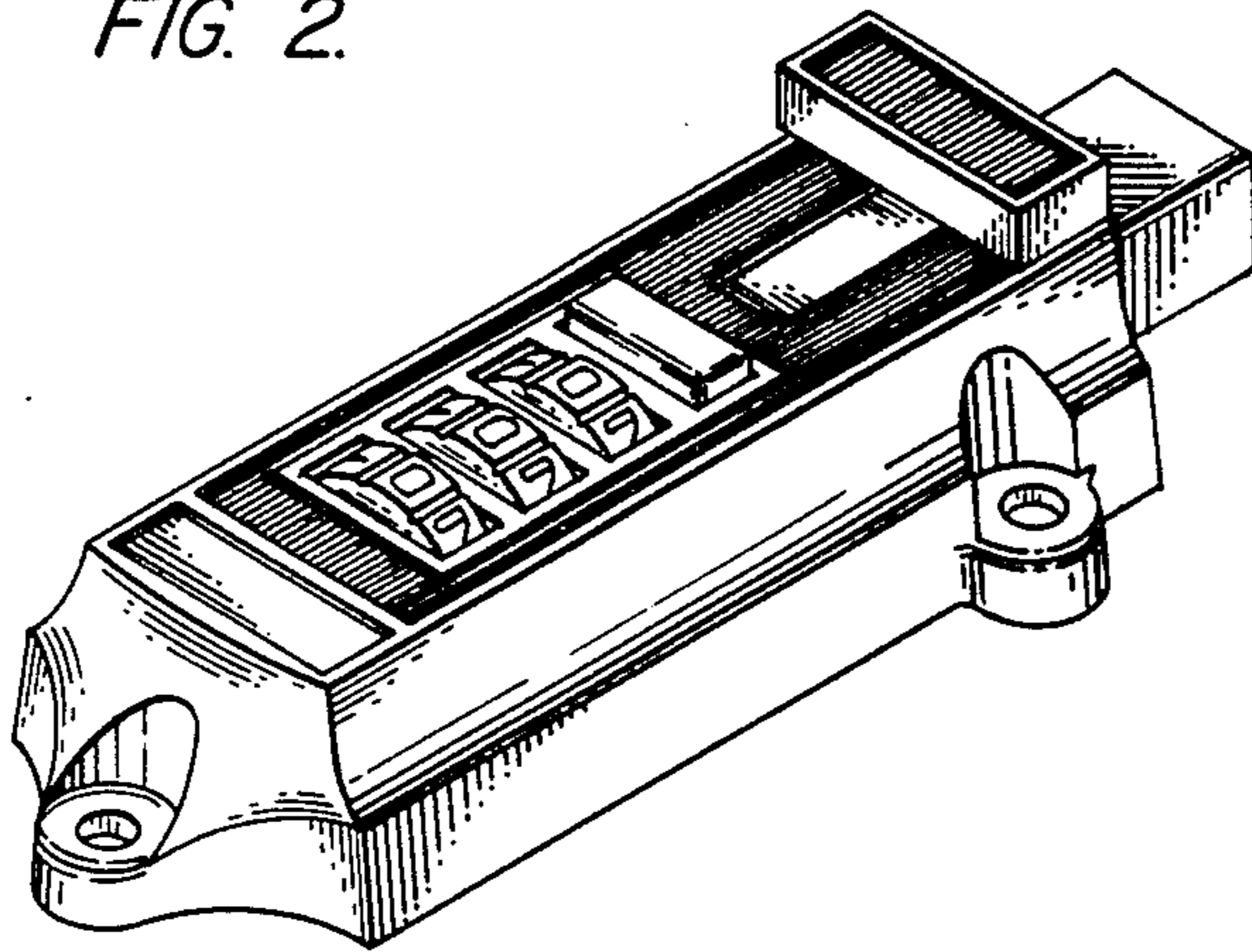


FIG. 3.

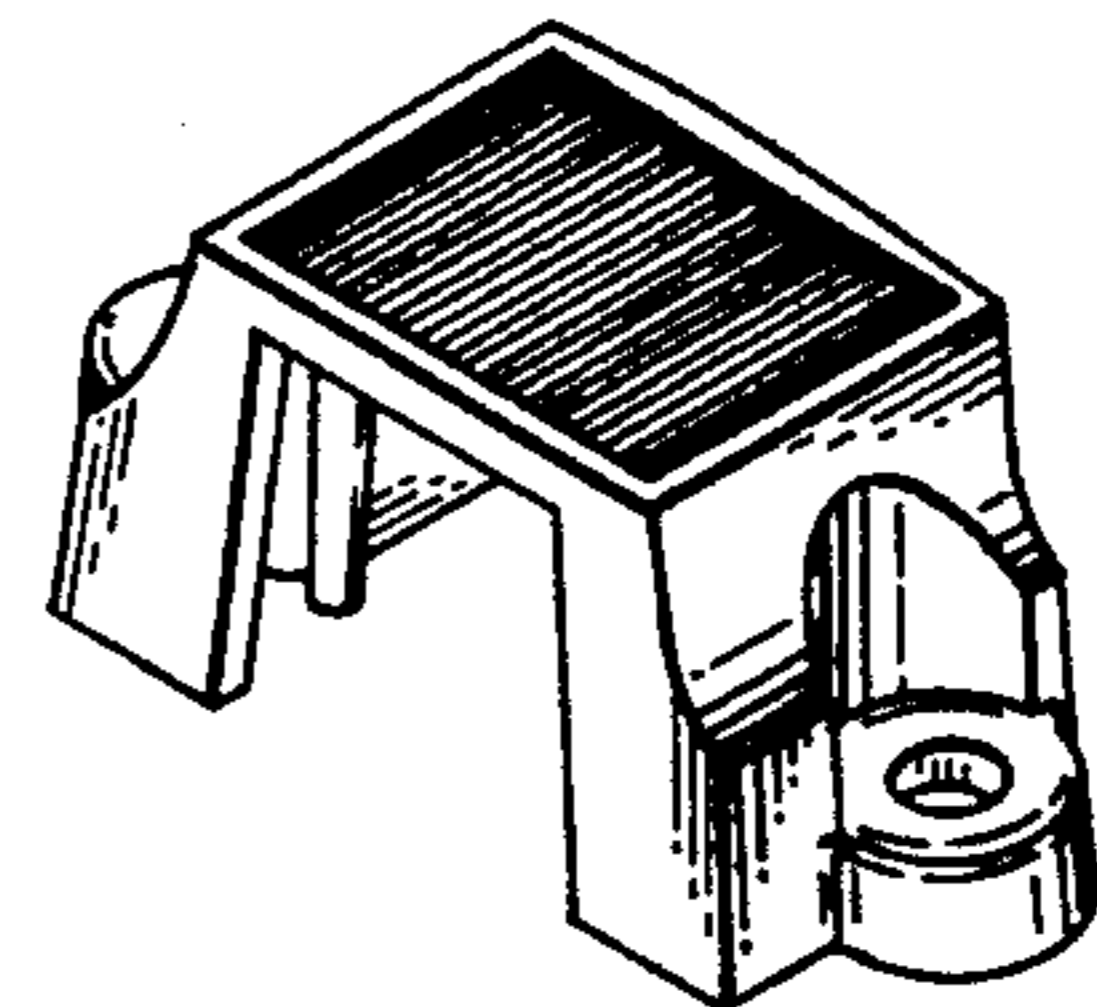


FIG. 4.

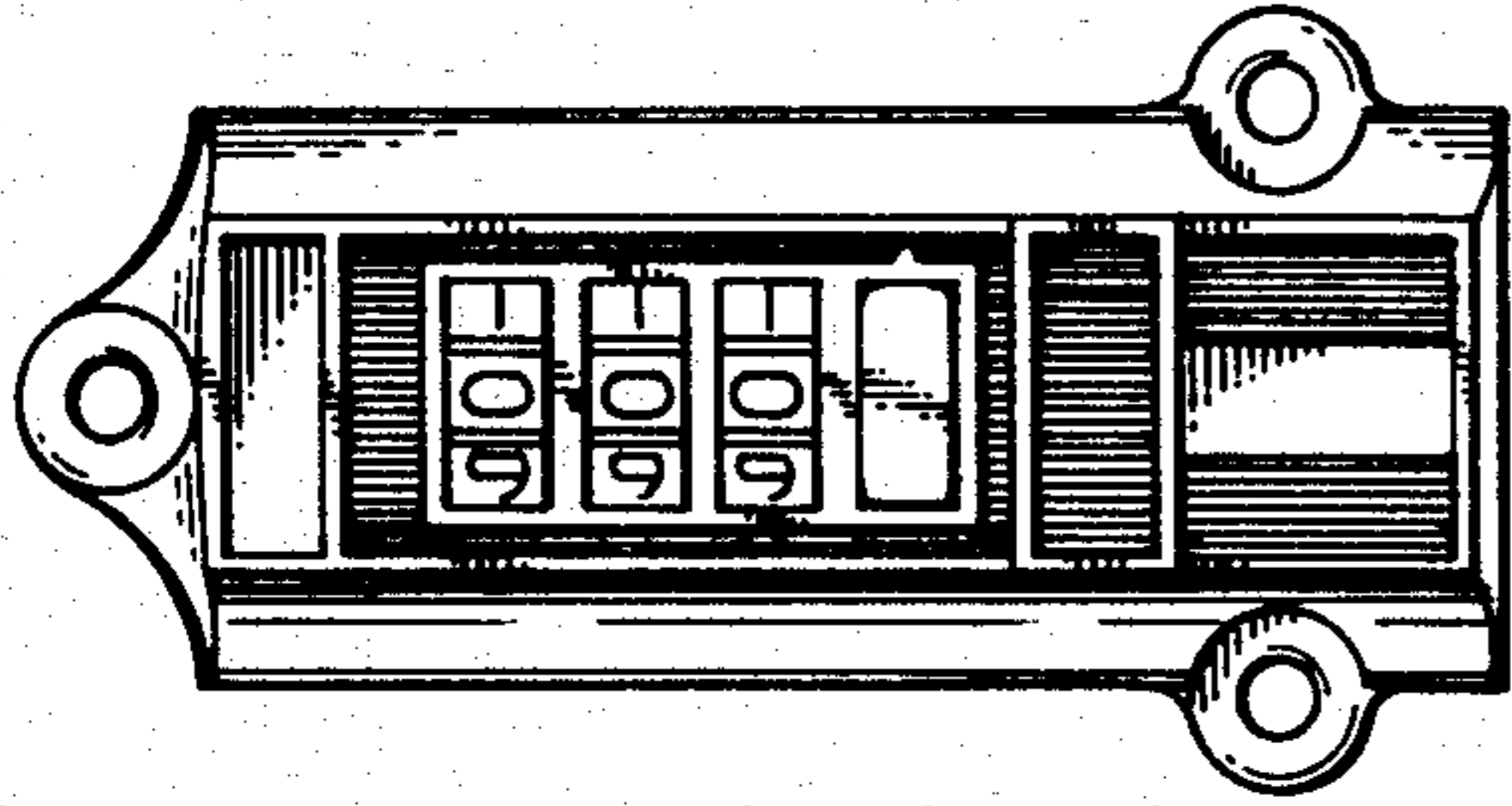


FIG. 5.

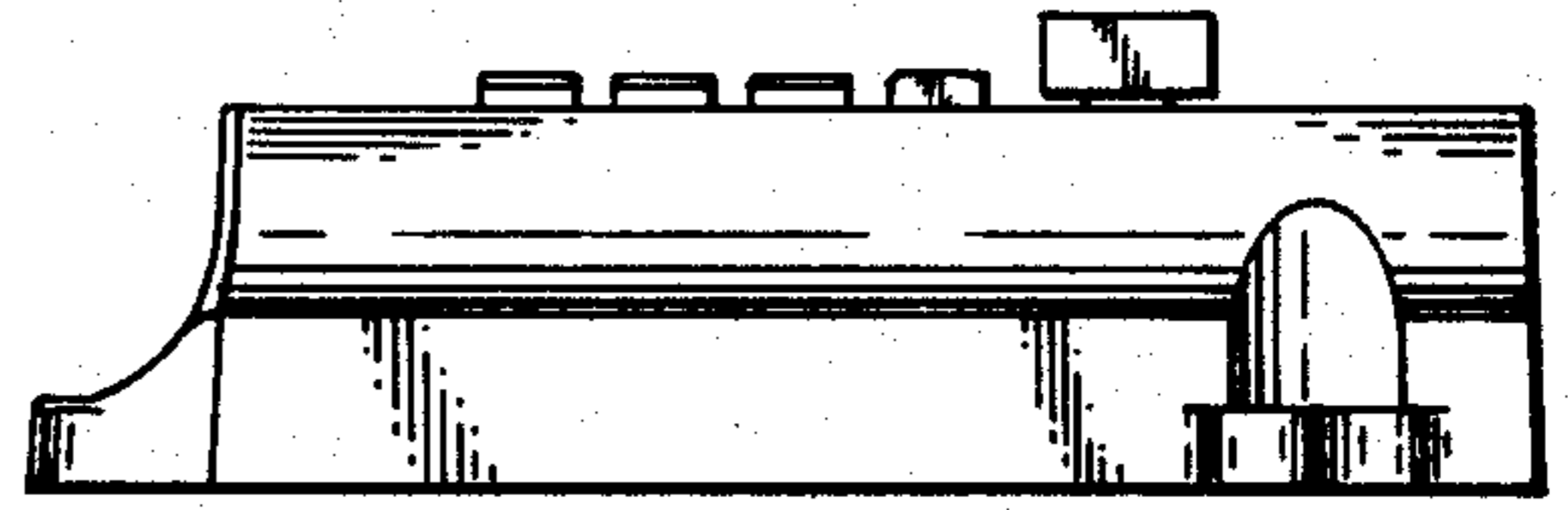


FIG. 6.

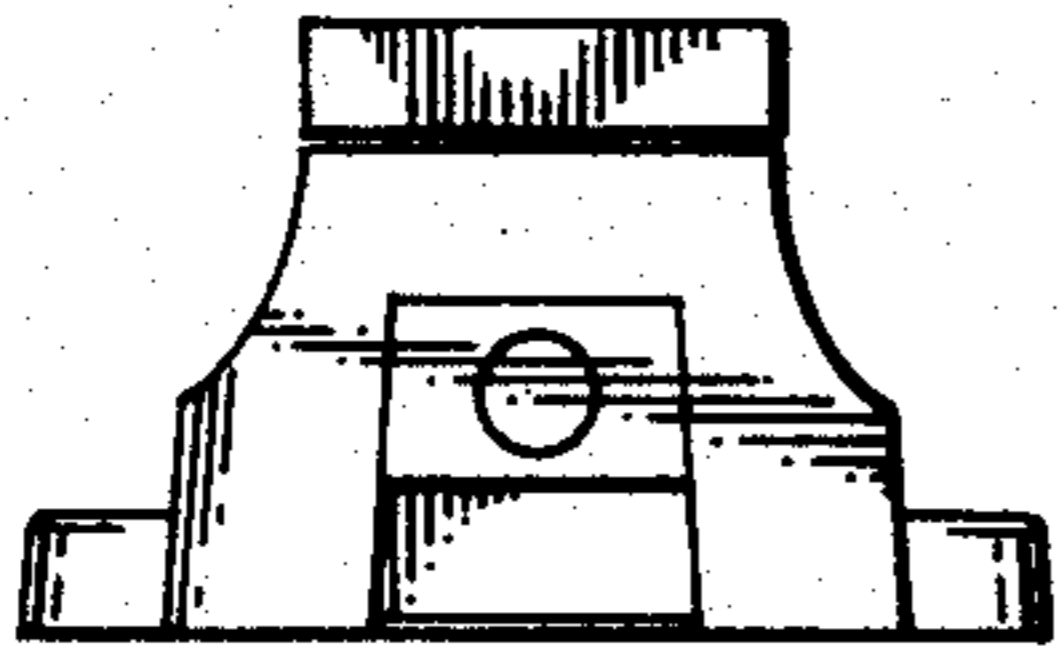


FIG. 7.

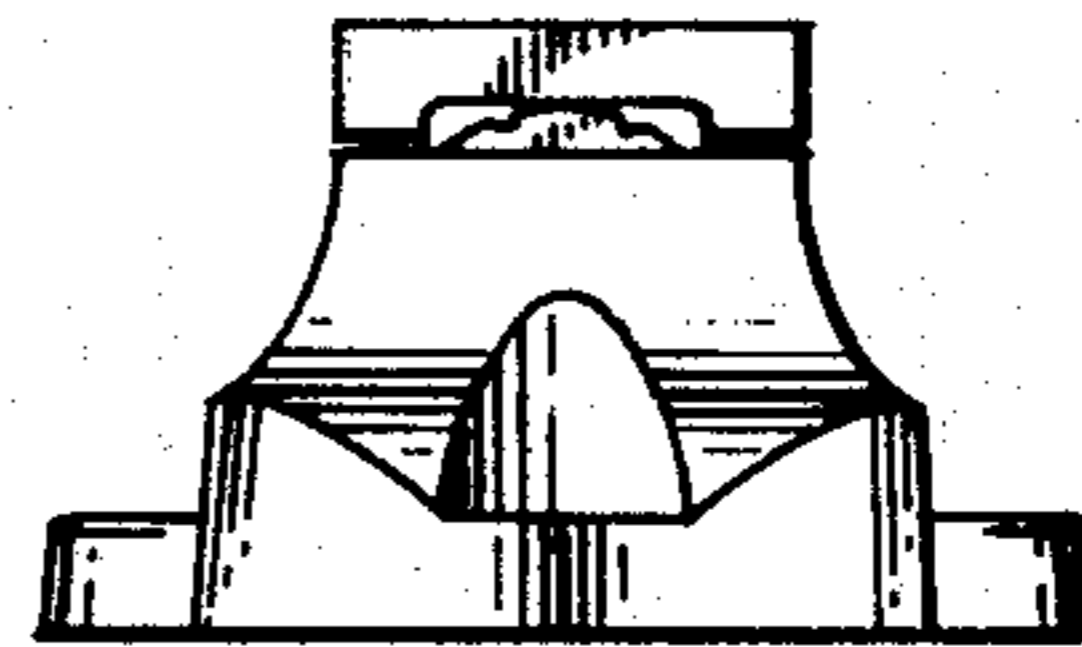


FIG. 8.

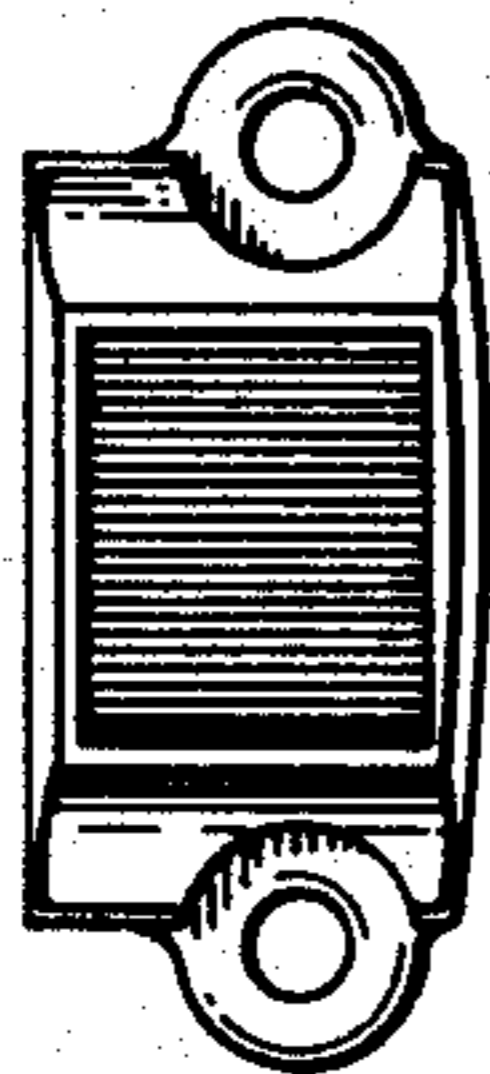


FIG. 9.

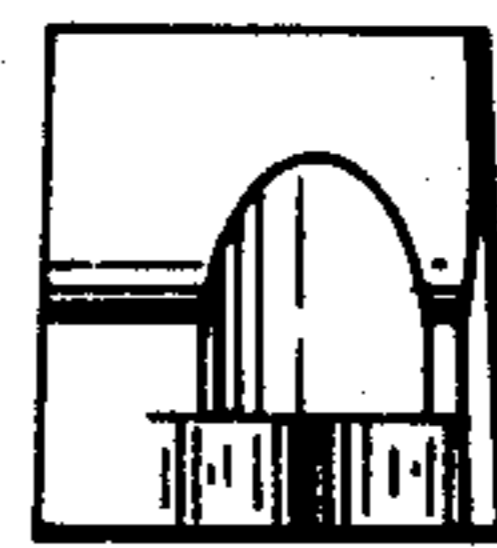


FIG. 10.

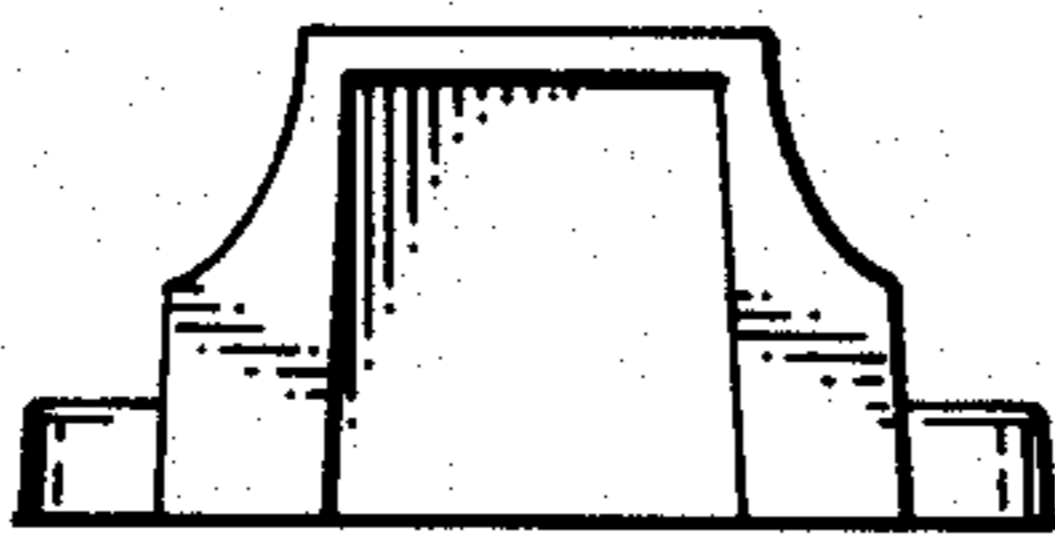


FIG. 11.

