

[54] **ICE BUCKET OR THE LIKE**

[75] **Inventor: Mark P. Zieff, Lexington, Mass.**

[73] **Assignee: Dart Industries, Northbrook, Ill.**

[**] **Term: 14 Years**

[21] **Appl. No.: 544,316**

[22] **Filed: Oct. 21, 1983**

[52] **U.S. Cl. D7/78**

[58] **Field of Search D7/78, 79, 14, 17;
D9/390, 428, 425; 62/457; 220/74, 306; 229/1.5**

[56] **References Cited**

U.S. PATENT DOCUMENTS

- D. 56,336 10/1920 Beiswanger D7/17
- D. 225,253 11/1972 Quistgaard D7/14
- D. 259,625 6/1981 Hamilton et al. D9/428

- D. 265,709 8/1982 Bocuse D7/14
- D. 271,650 12/1983 Groenewold et al. D9/349 X
- 2,922,563 1/1960 Aldington 220/306 X
- 3,082,900 3/1963 Goodman 220/15

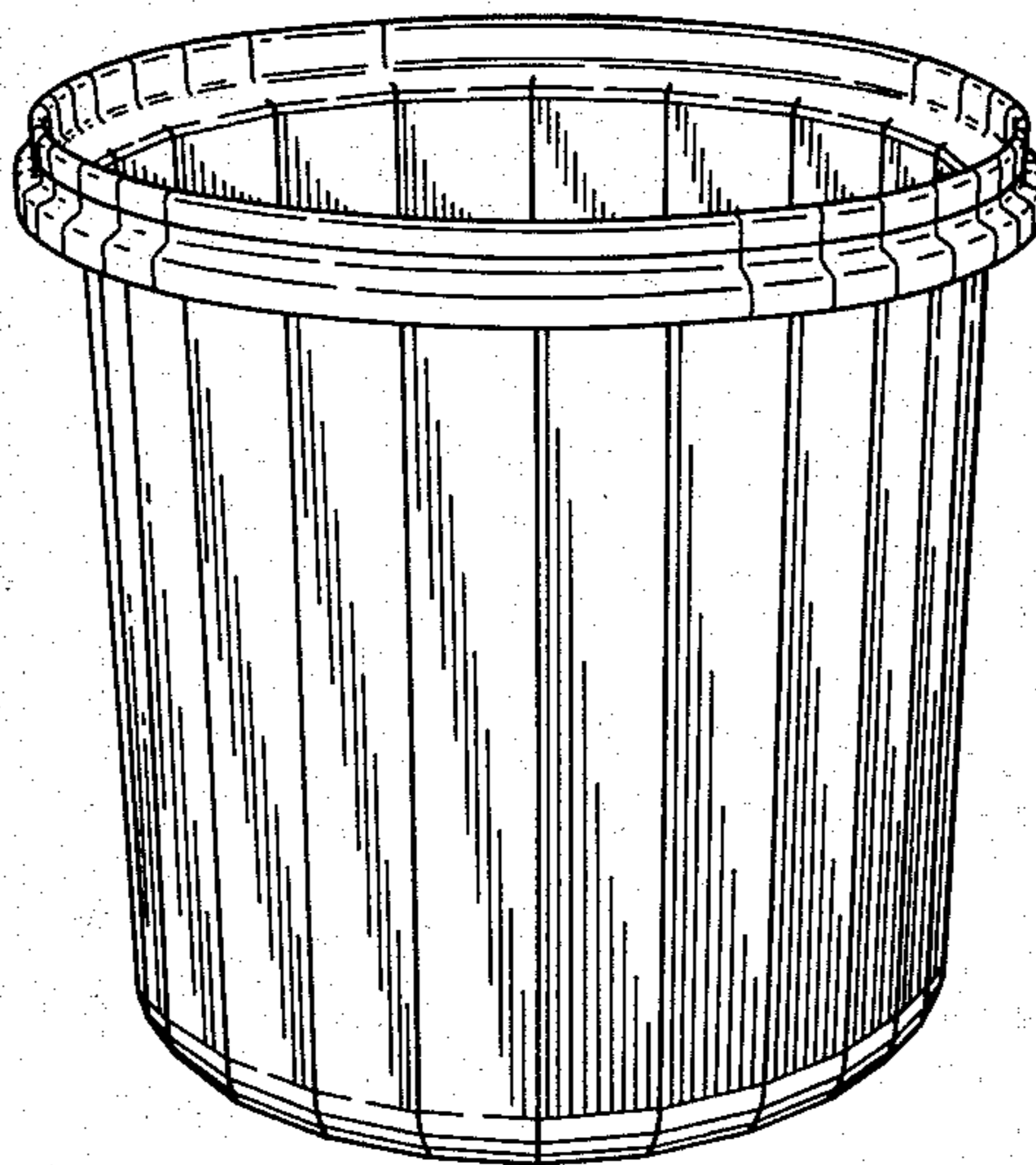
Primary Examiner—Bernard Ansher
Assistant Examiner—Terry Pfeffer
Attorney, Agent, or Firm—A. Lewis Worthem, Jr.

[57] **CLAIM**

The ornamental design for an ice bucket or the like, substantially as is shown.

DESCRIPTION

FIG. 1 is a perspective view of the ice bucket showing my new design;
FIG. 2 is a top plan view thereof;
FIG. 3 is a side view thereof; and
FIG. 4 is a bottom plan view thereof.
FIG. 5 is a sectional side view taken along the line 5—5 of FIG. 2.



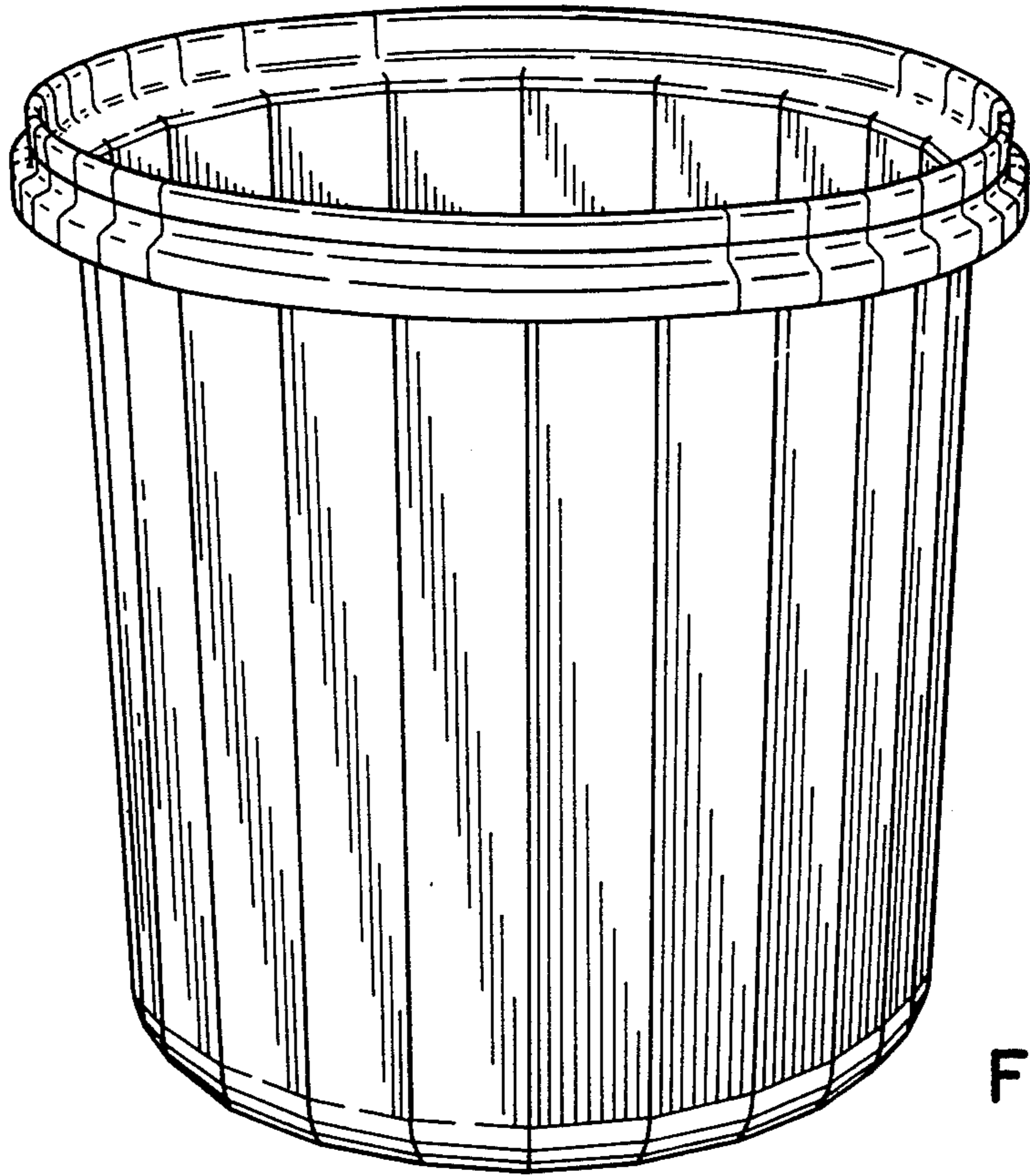


FIG. 1

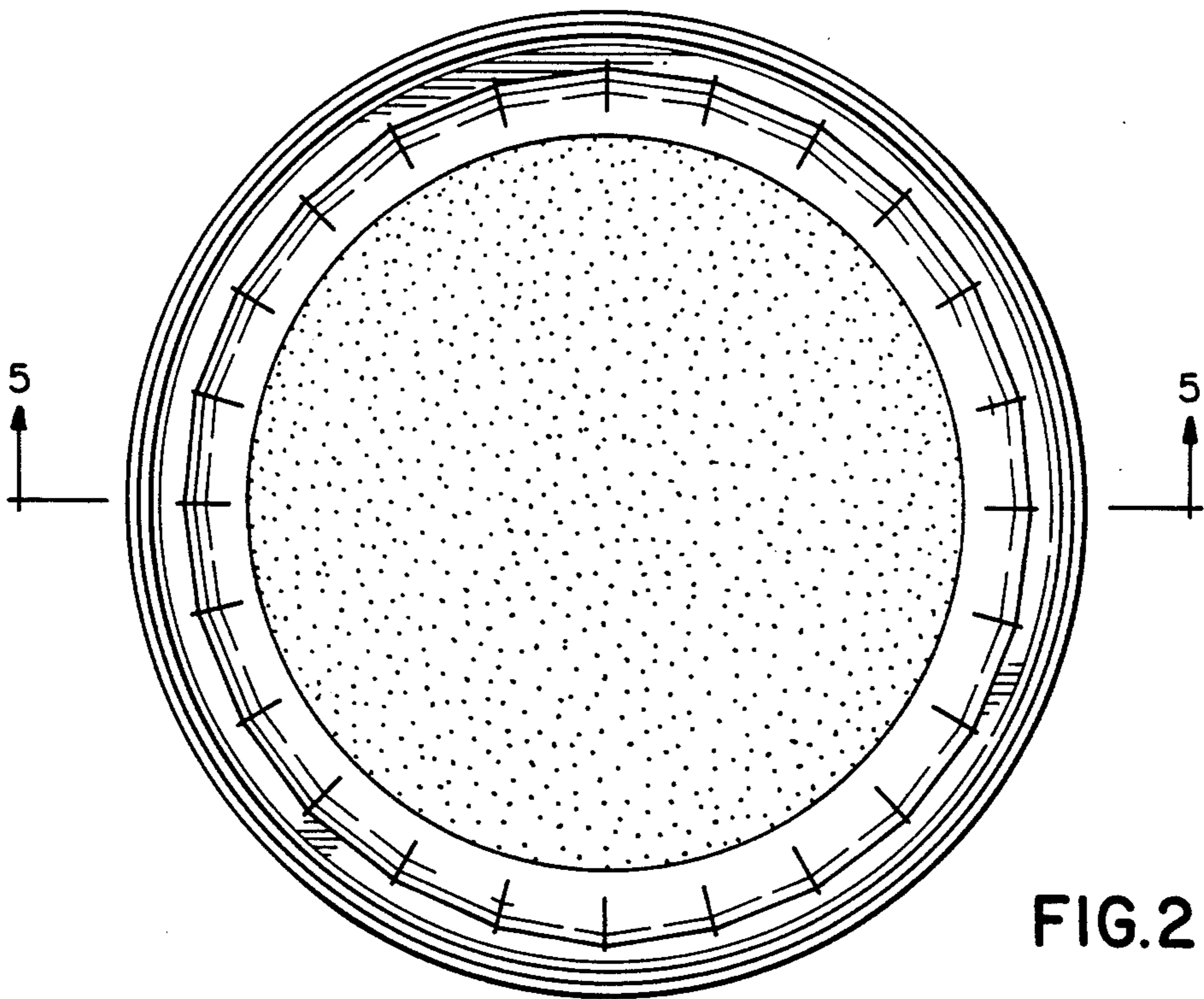


FIG. 2

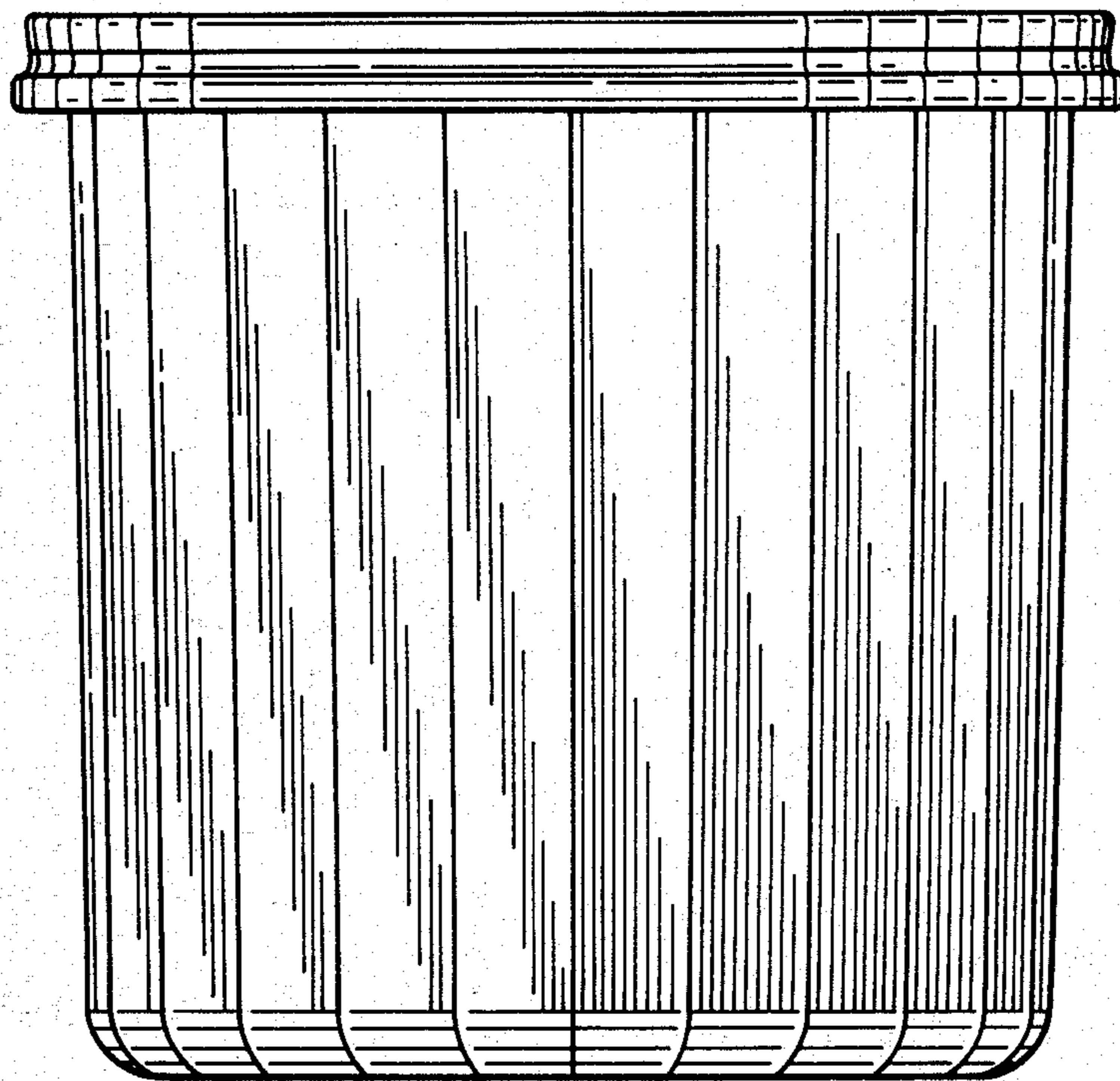


FIG. 3

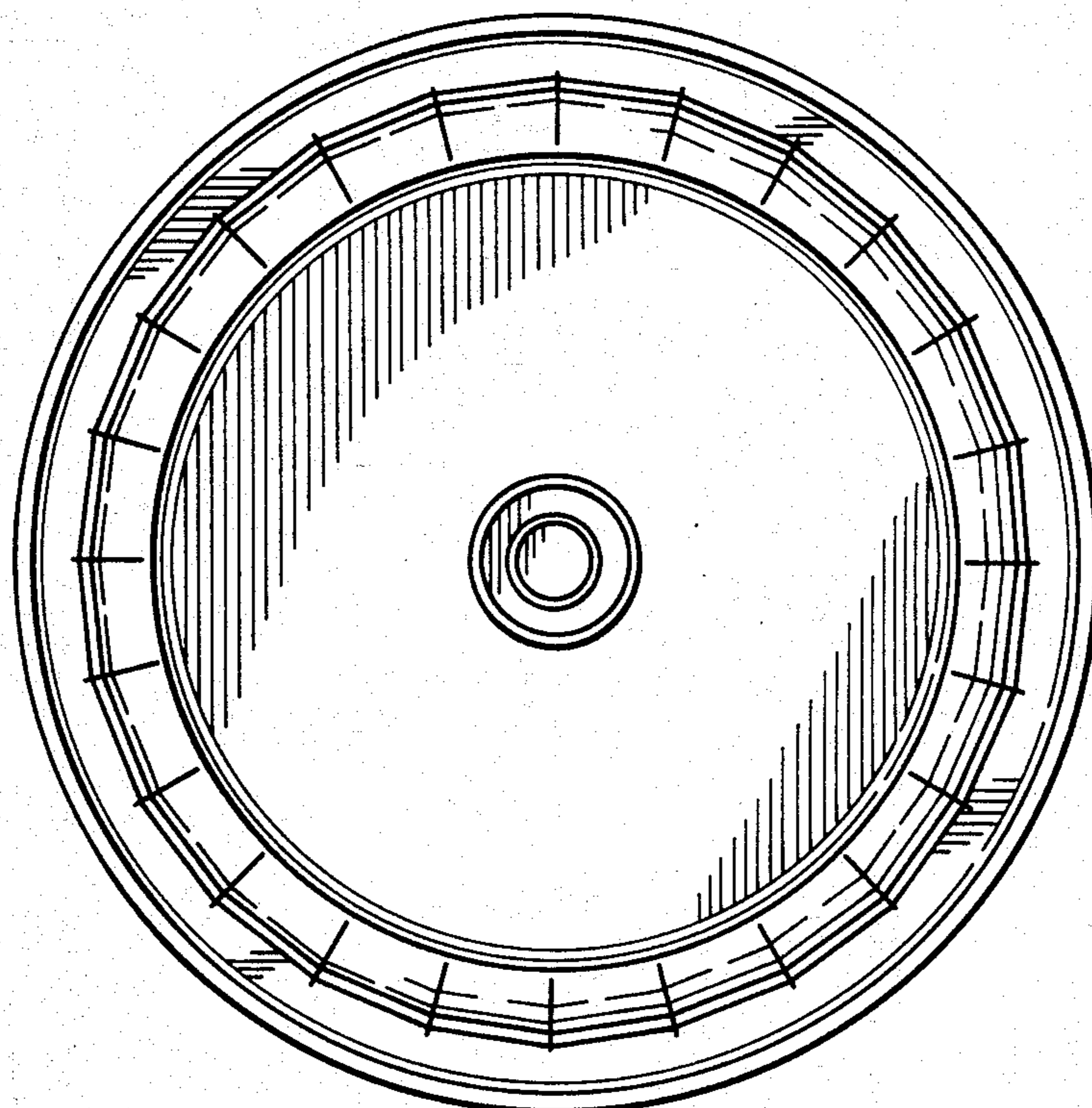


FIG. 4

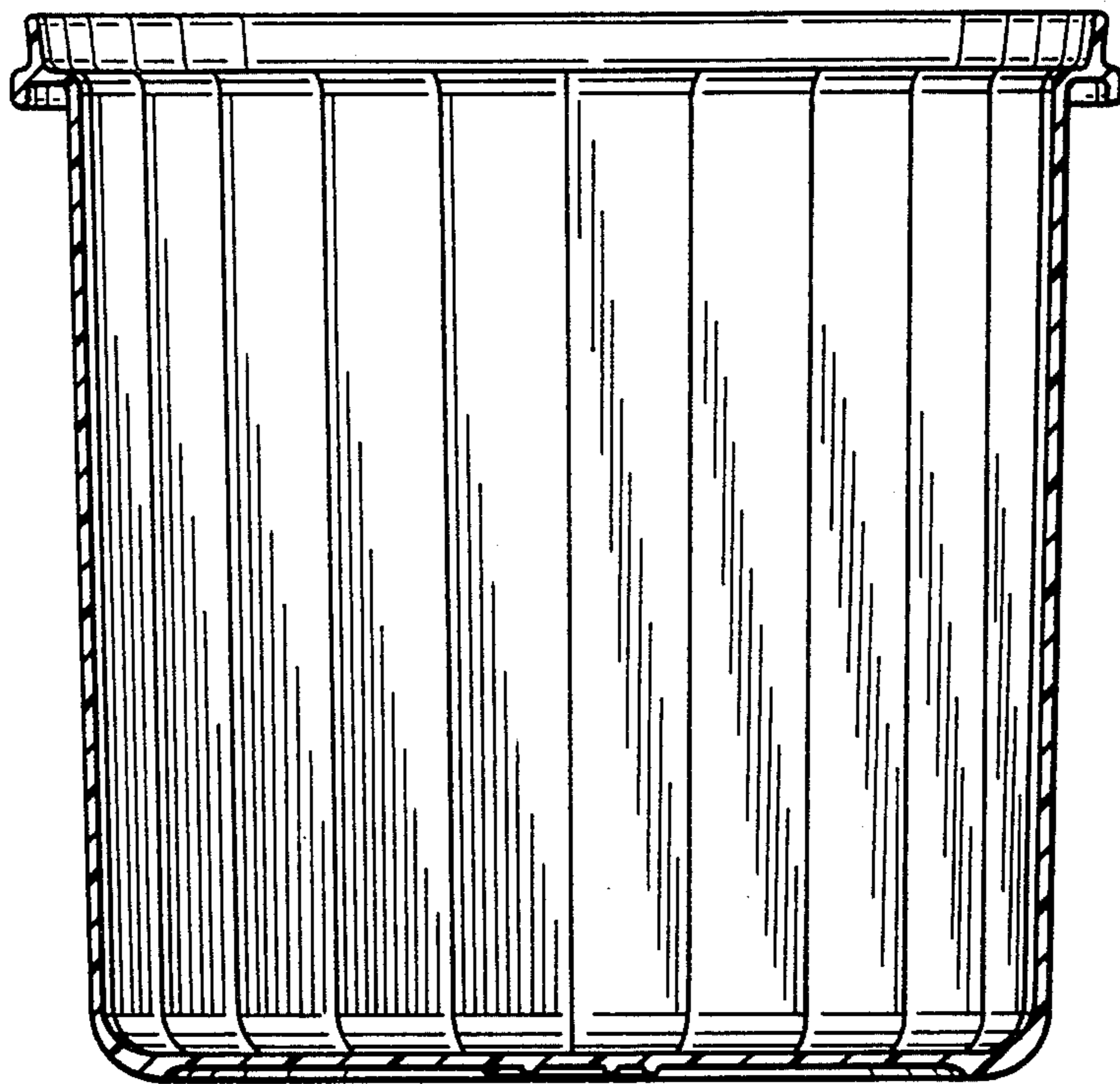


FIG. 5