

[54] ICE BUCKET WITH CLOSURE OR THE LIKE

2,641,403 6/1953 Buttery et al. 229/1.5 B
3,082,900 3/1963 Goodman 220/15
3,756,480 9/1973 Swett et al. 222/484

[75] Inventor: Mark P. Zieff, Lexington, Mass.

[73] Assignee: Dart Industries, Northbrook, Ill.

[**] Term: 14 Years

[21] Appl. No.: 543,744

[22] Filed: Oct. 20, 1983

[52] U.S. Cl. D7/78

[58] Field of Search D7/78, 79, 14, 17;
D9/454, 390, 428, 425; 62/457; 220/306, 74;
229/1.5 B

[56] References Cited

U.S. PATENT DOCUMENTS

- D. 211,384 6/1968 Lehrhaupt et al. D7/397
- D. 225,253 11/1972 Quistgaard D7/14
- D. 226,576 3/1973 Swett et al. D44/1 B
- 1,155,524 10/1915 Smith 229/1.5 B
- 1,633,605 6/1927 Prudden 229/1.5 B

OTHER PUBLICATIONS

Good Housekeeping Catalog, 10/81, p. 308, Tupperware container lid, bottom right.

Primary Examiner—Bernard Ansher

Assistant Examiner—Terry Pfeffer

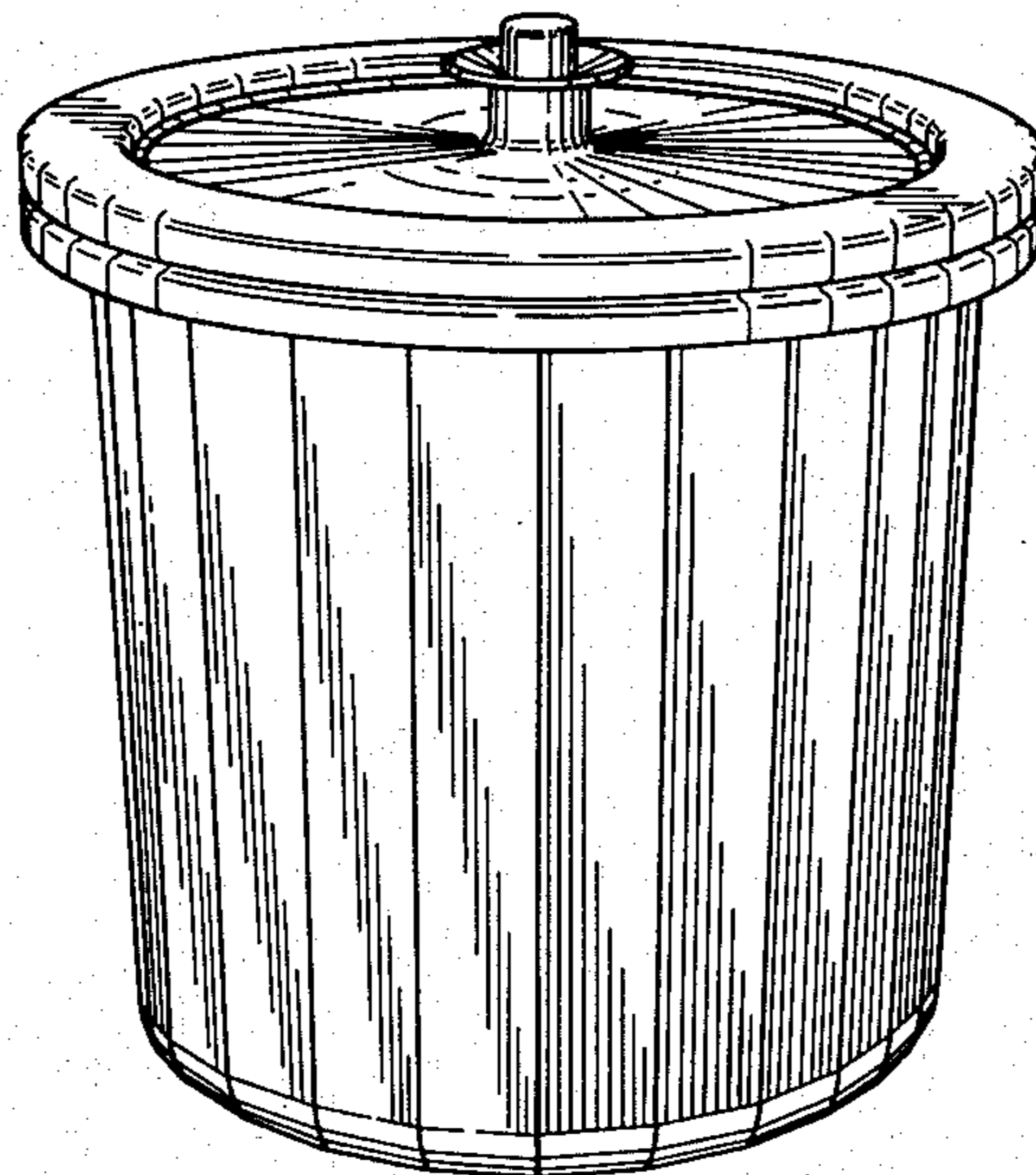
Attorney, Agent, or Firm—A. Lewis Worthem, Jr.

[57] CLAIM

The ornamental design for an ice bucket with closure or the like, substantially as is shown.

DESCRIPTION

FIG. 1 is a perspective view of the ice bucket with closure or the like showing my new design;
FIG. 2 is a top plan view thereof;
FIG. 3 is a side view thereof; and
FIG. 4 is a bottom plan view thereof.



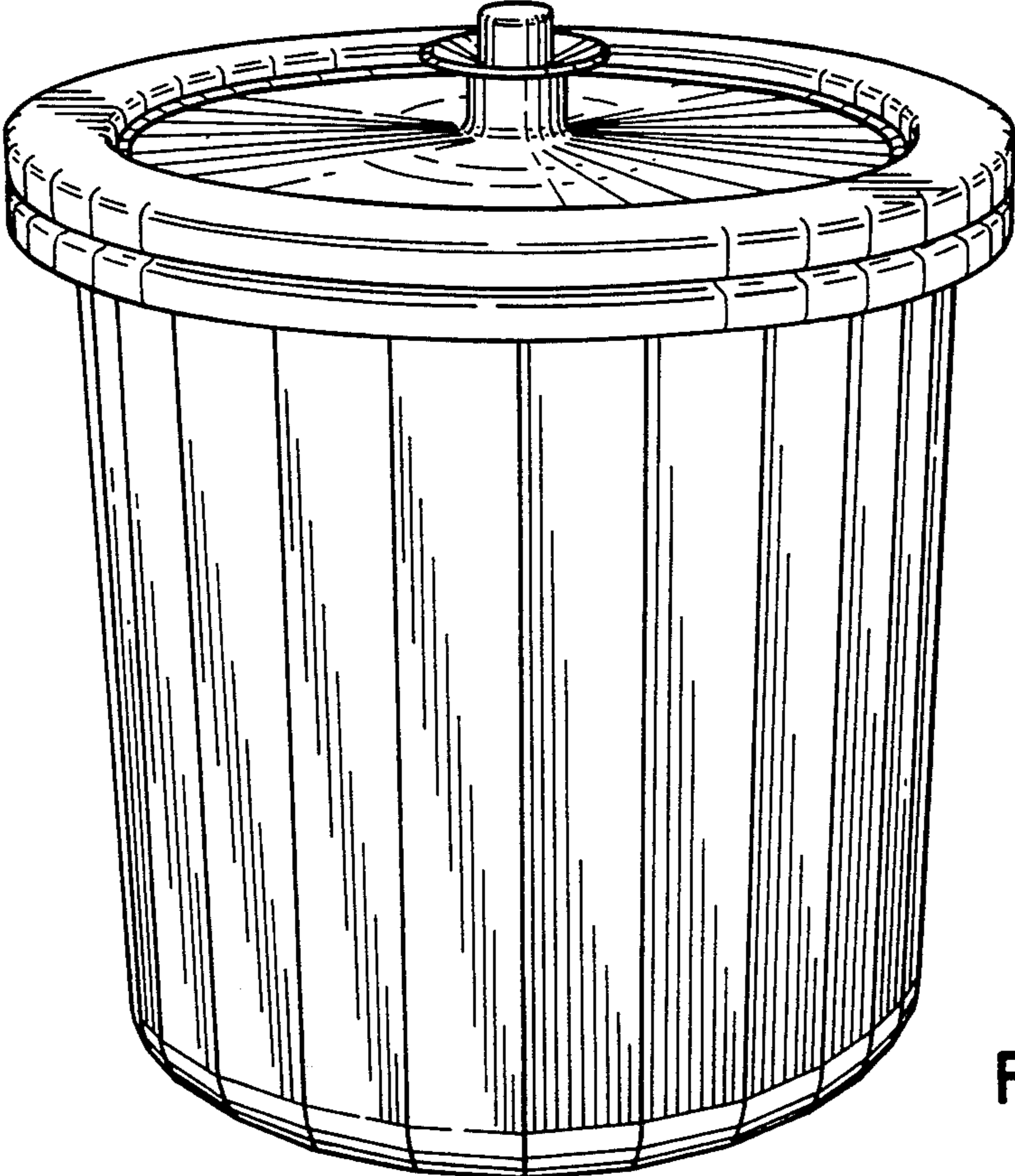


FIG. 1

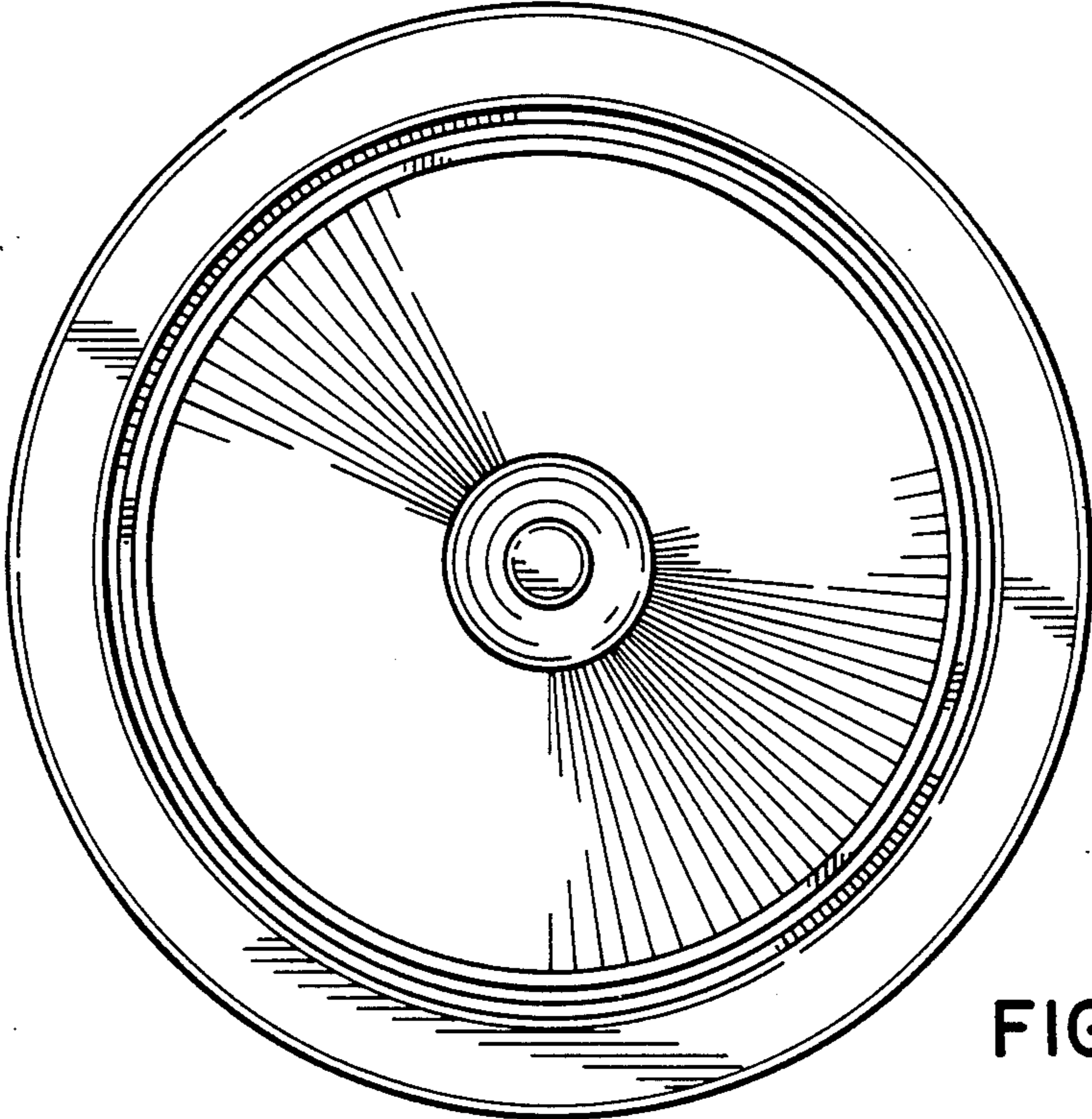


FIG. 2



FIG. 3

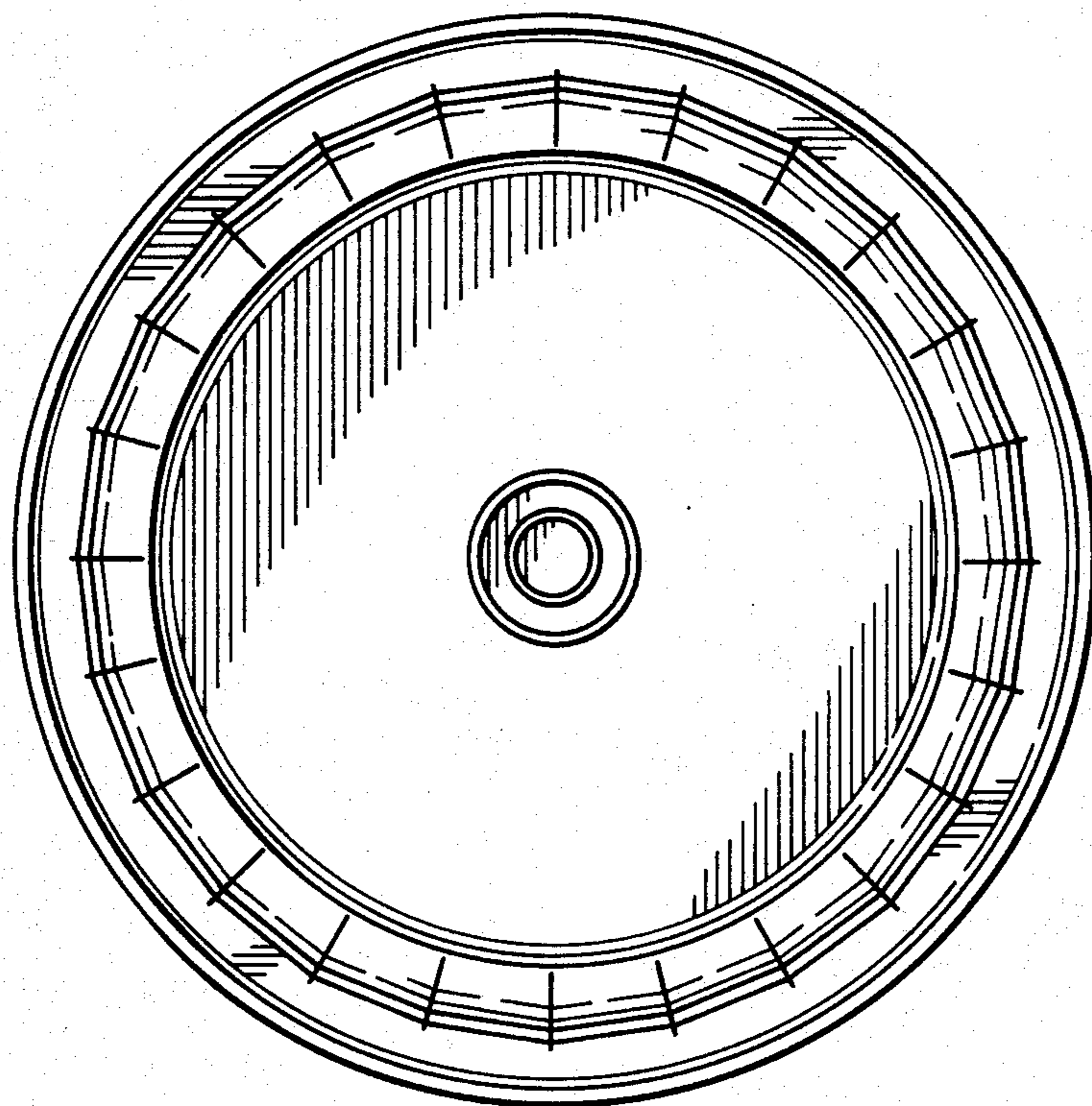


FIG. 4